
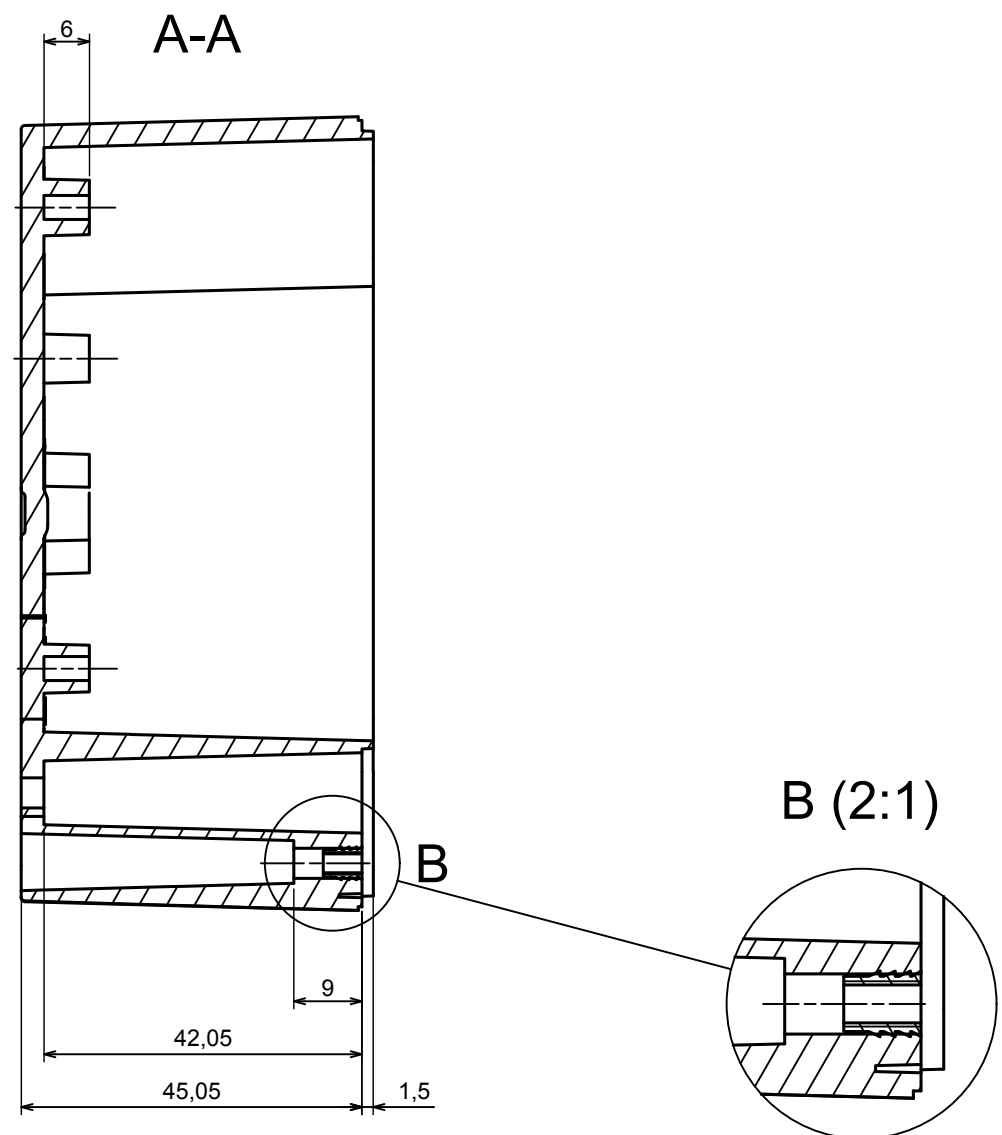
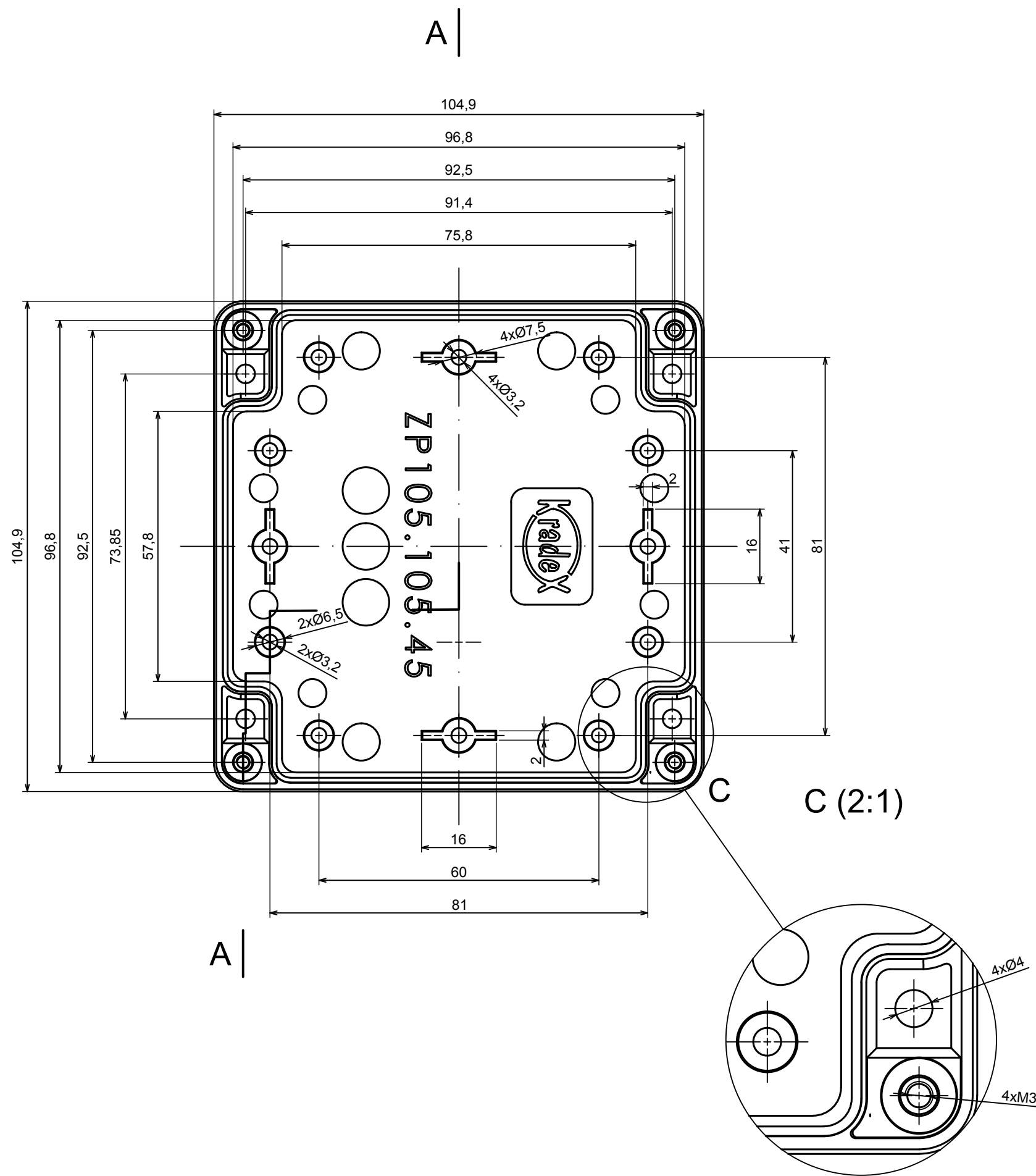


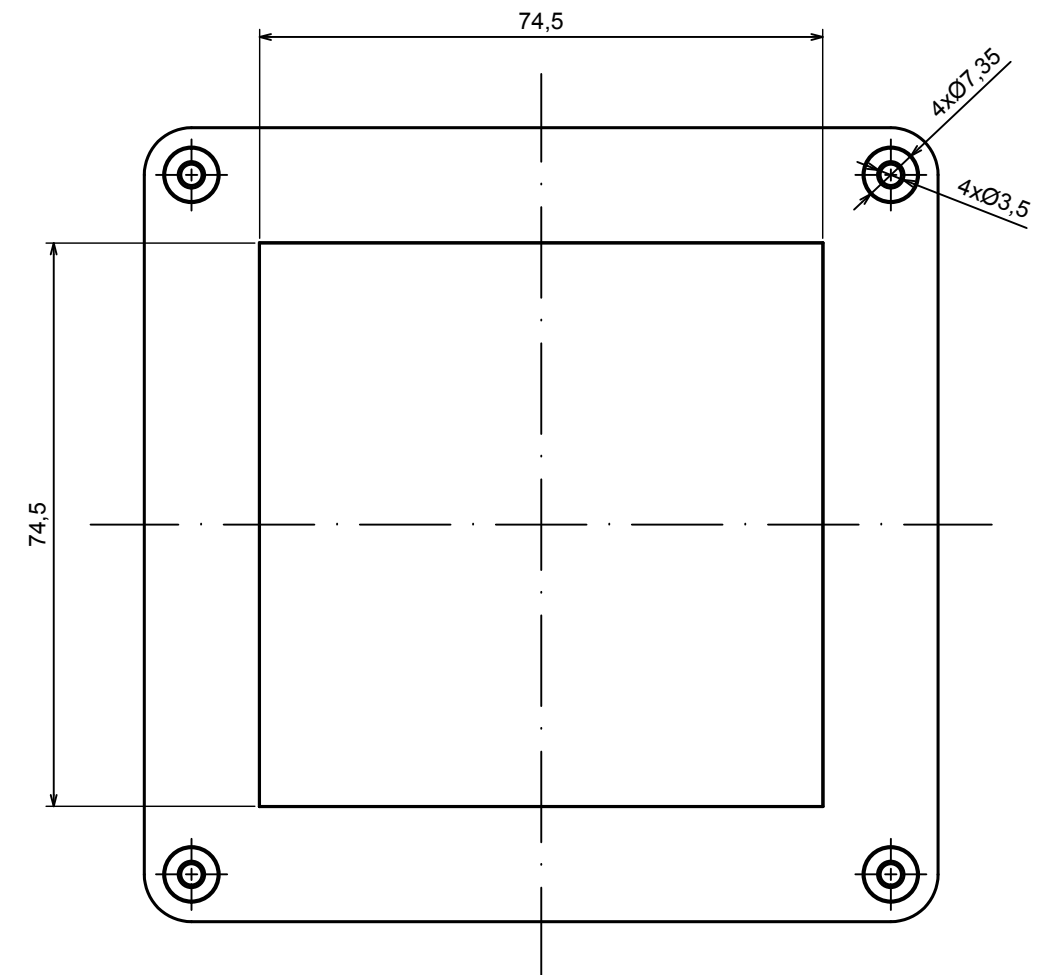
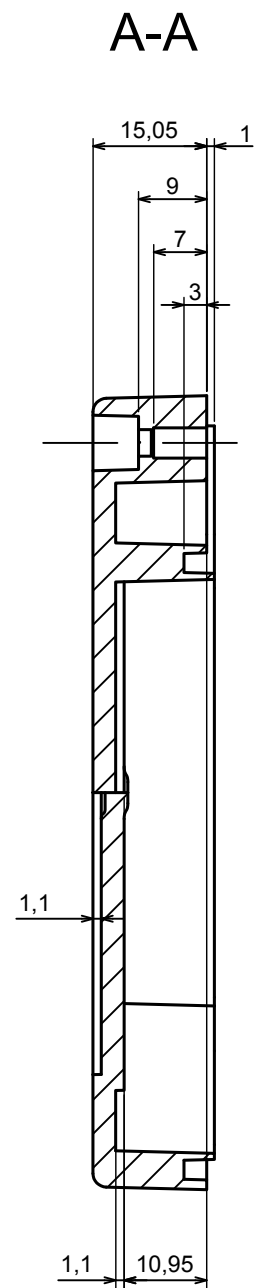
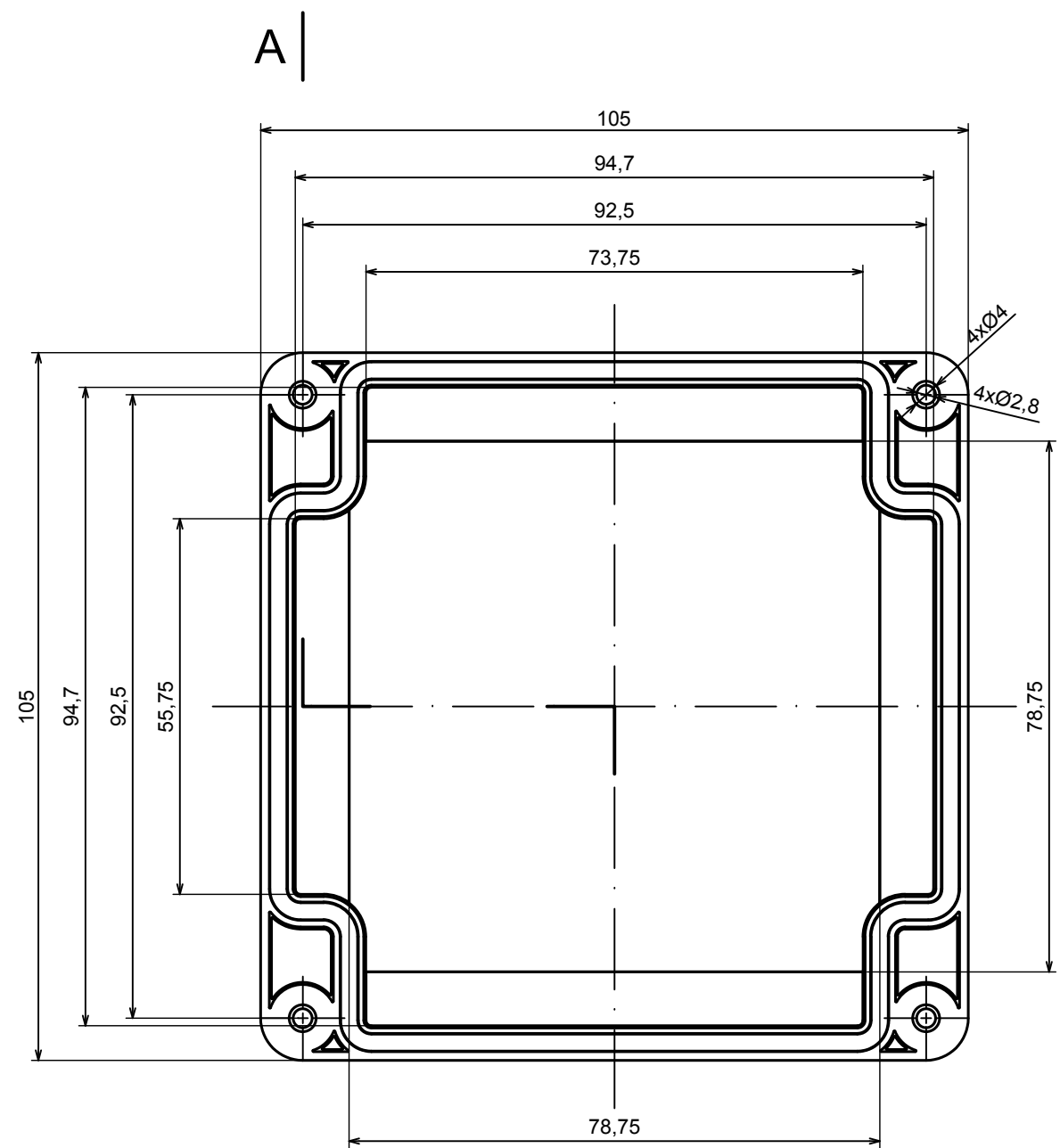
A |

All rights reserved, Copyright Kradox 2020		
Product model	Enclosure ZP105.105.60 TM - Assembly	
Format: A3	Material: PC, ABS	
Scale 1:1	Tolerance: +/- 0.6	




All rights reserved, Copyright Kradex 2020	
Product model	Enclosure ZP105.105.60 TM - Base ZP105.105.45 TM
Format: A3	Material: PC, ABS
Scale 1:1	Tolerance: +/- 0.6





A

All rights reserved, Copyright Kradox 2020		
Product model	Enclosure ZP105.105.60S TM - Cover PZ105.105.15	
Format: A3	Material: PC, ABS	
Scale 1:1	Tolerance: +/- 0.6	