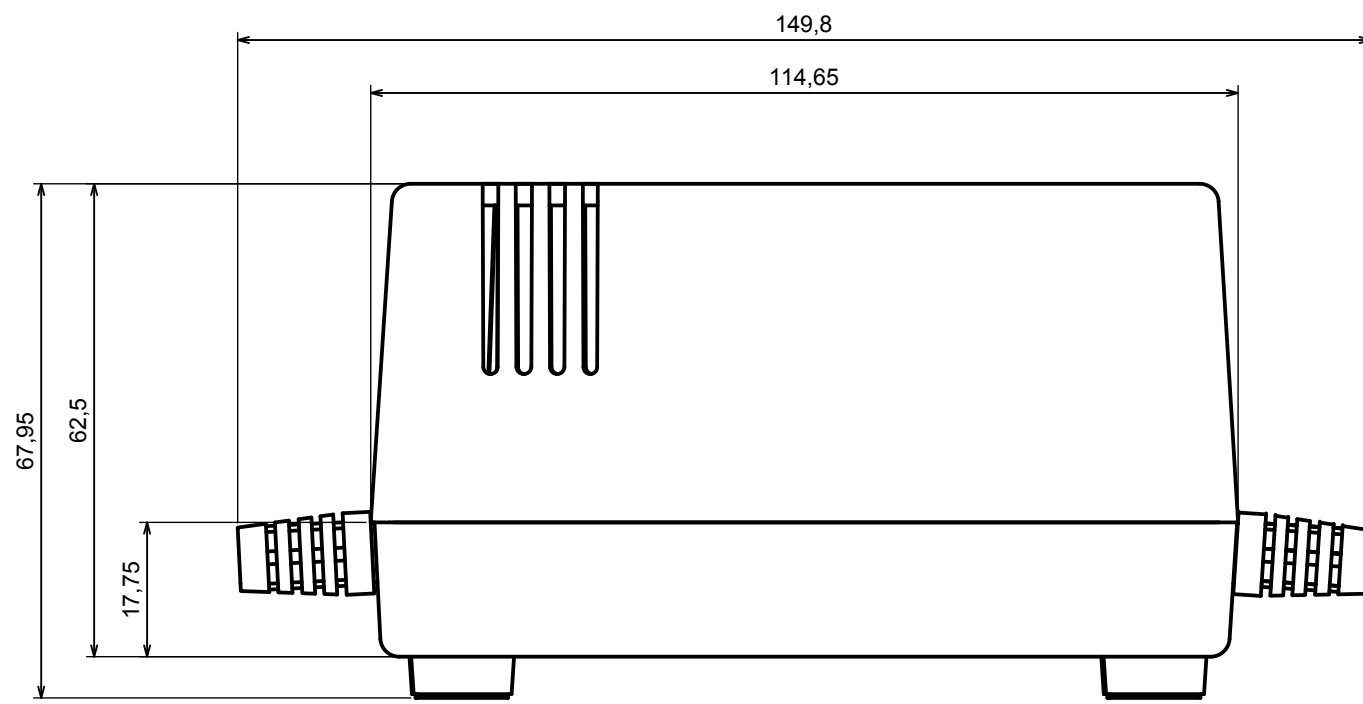
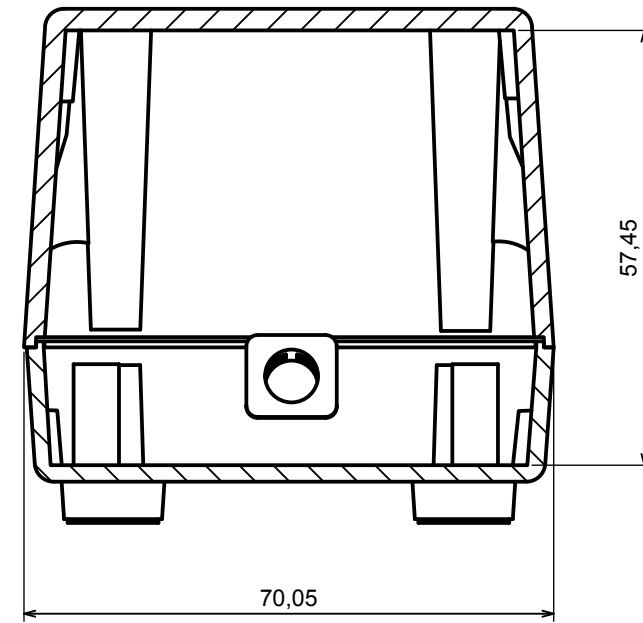


A |



A |

A-A



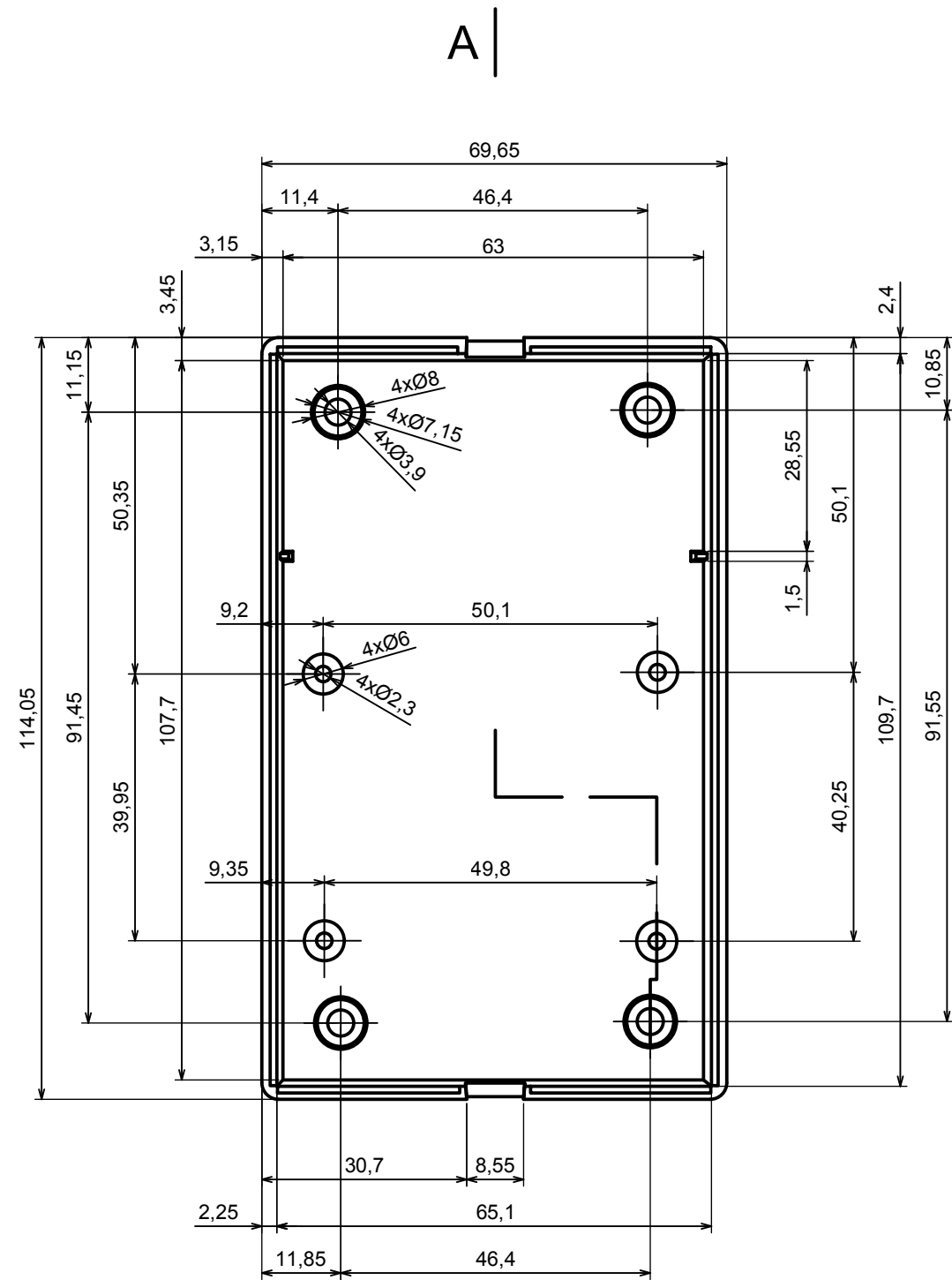
All rights reserved, Copyright Kradox 2017

Product model Enclosure Z16 - Assembly

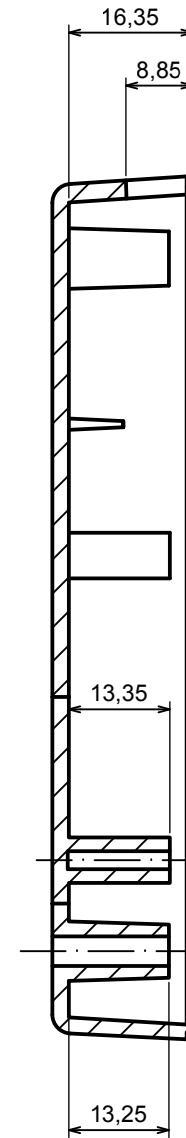
Format: A3 Material: PS, ABS

Scale 1:1 Tolerance: +/- 0.8





A-A



A |

All rights reserved, Copyright Kradox 2017

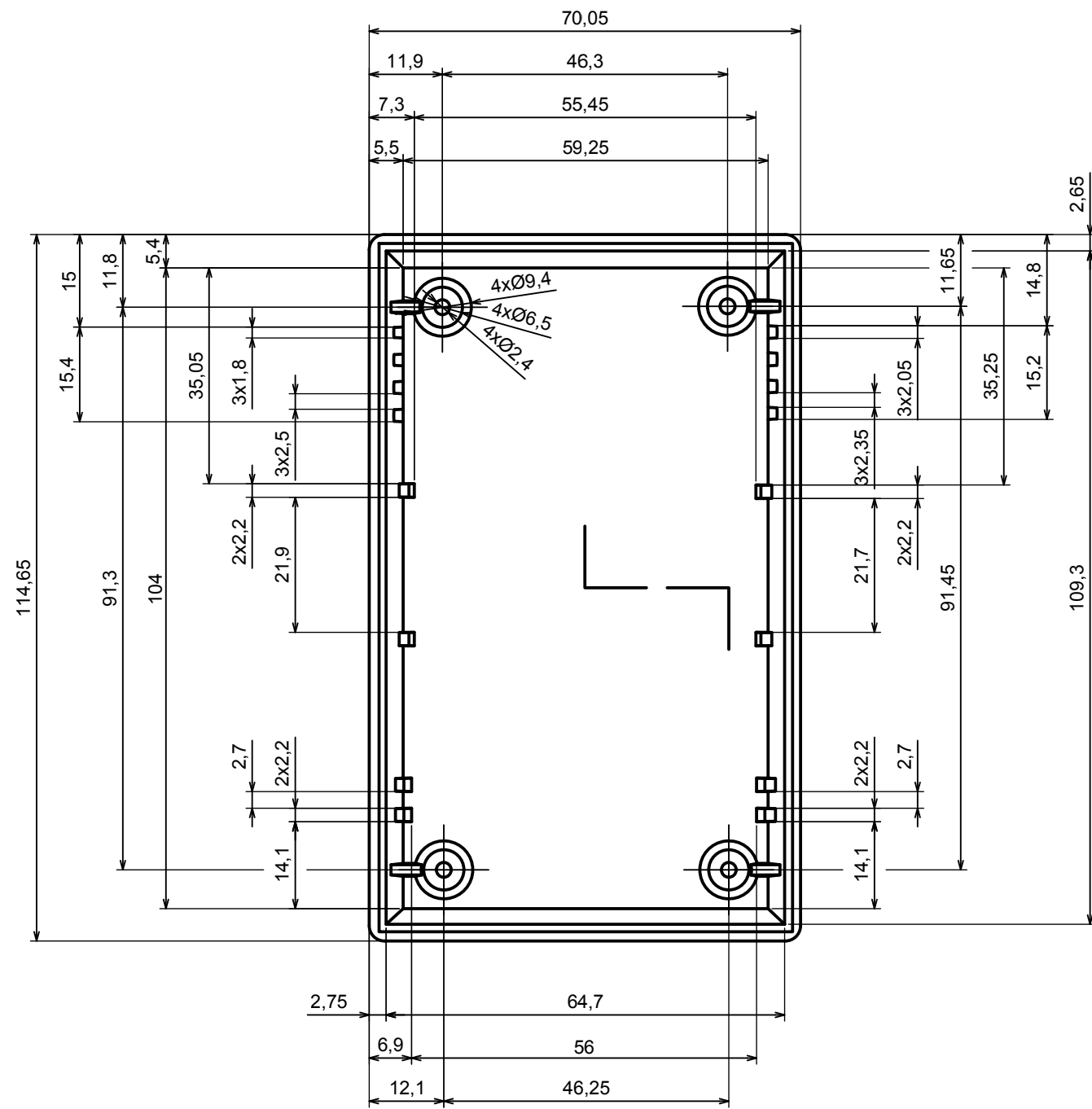
Product model Enclosure Z16 - Base

Format: A3 Material: PS, ABS

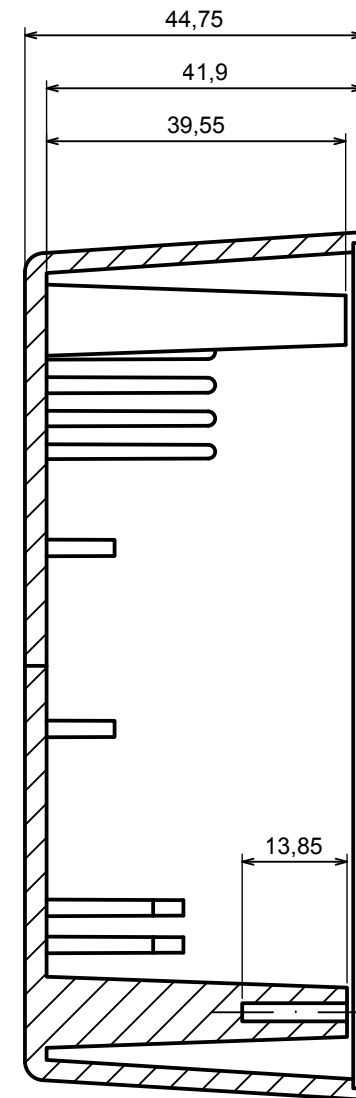
Scale 1:1 Tolerance: +/- 0.8



A |



A-A



A |

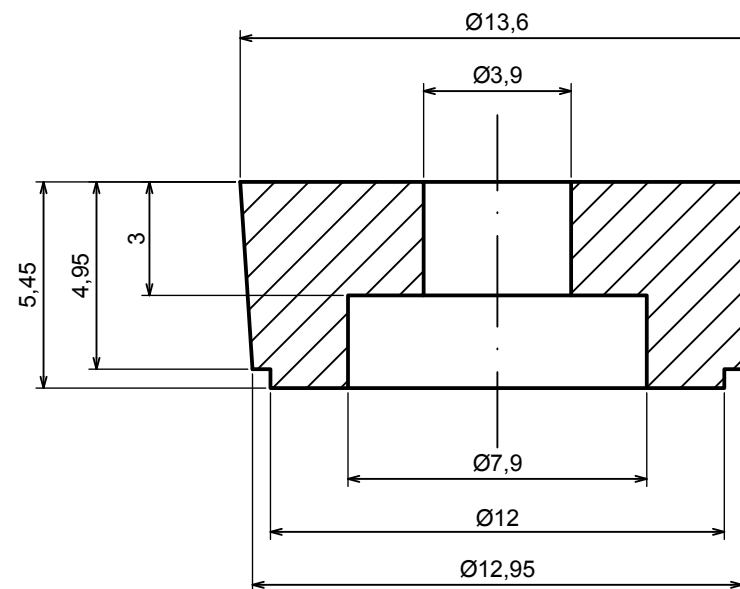
All rights reserved, Copyright Kradox 2017

Product model: Enclosure Z16 - Cover

Format: A3      Material: PS, ABS

Scale 1:1      Tolerance: +/- 0.8





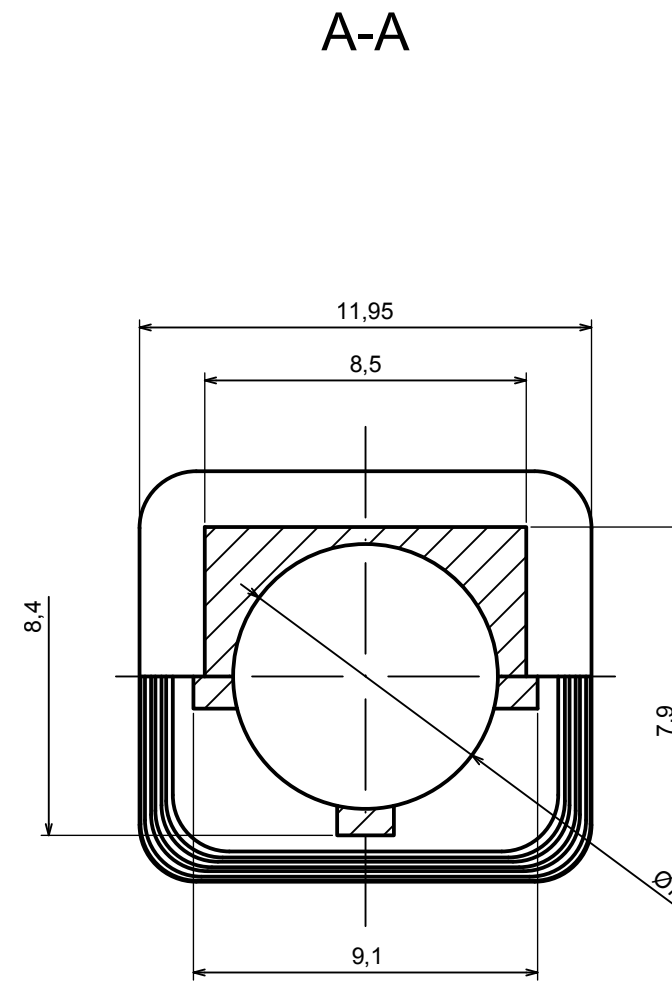
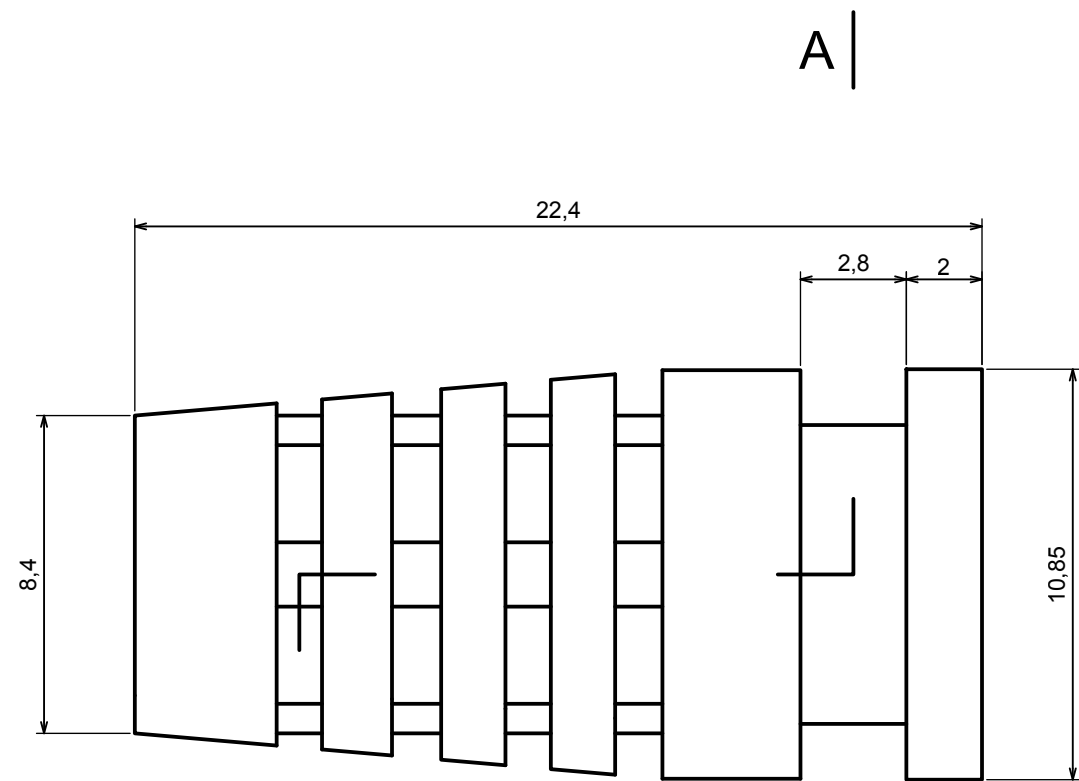
All rights reserved, Copyright Kradex 2017

Product model Enclosure Z16 - Foot

Format: A3 Material: PS, ABS

Scale 5:1 Tolerance: +/- 0.5





A |

All rights reserved, Copyright Kradox 2017

Product model    Enclosure Z16 - Bend Protector

Format: A3    Material: PS, ABS

Scale 1:1    Tolerance: +/- 0.5

