
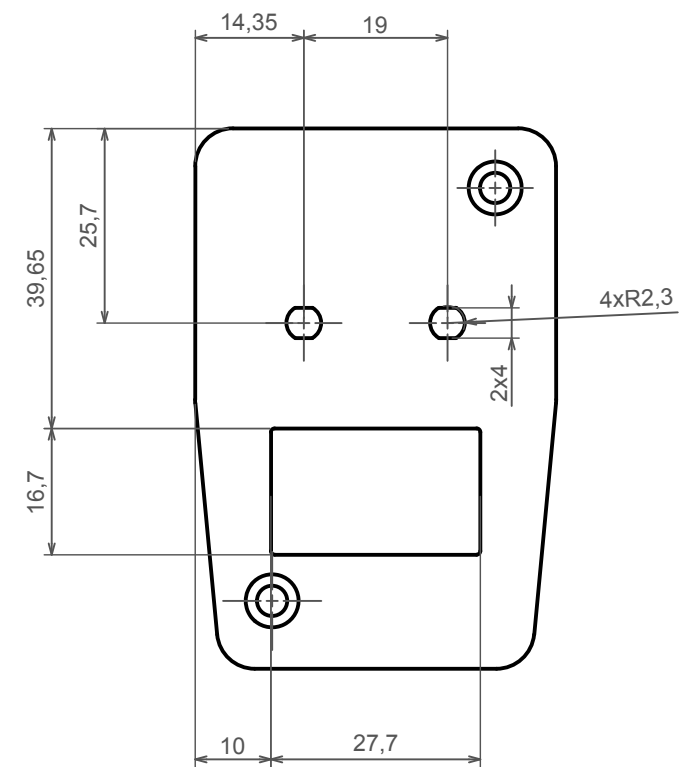
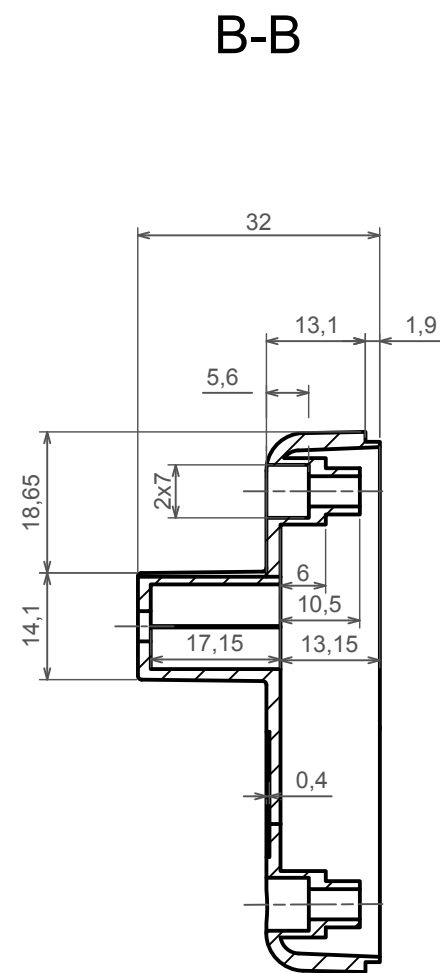
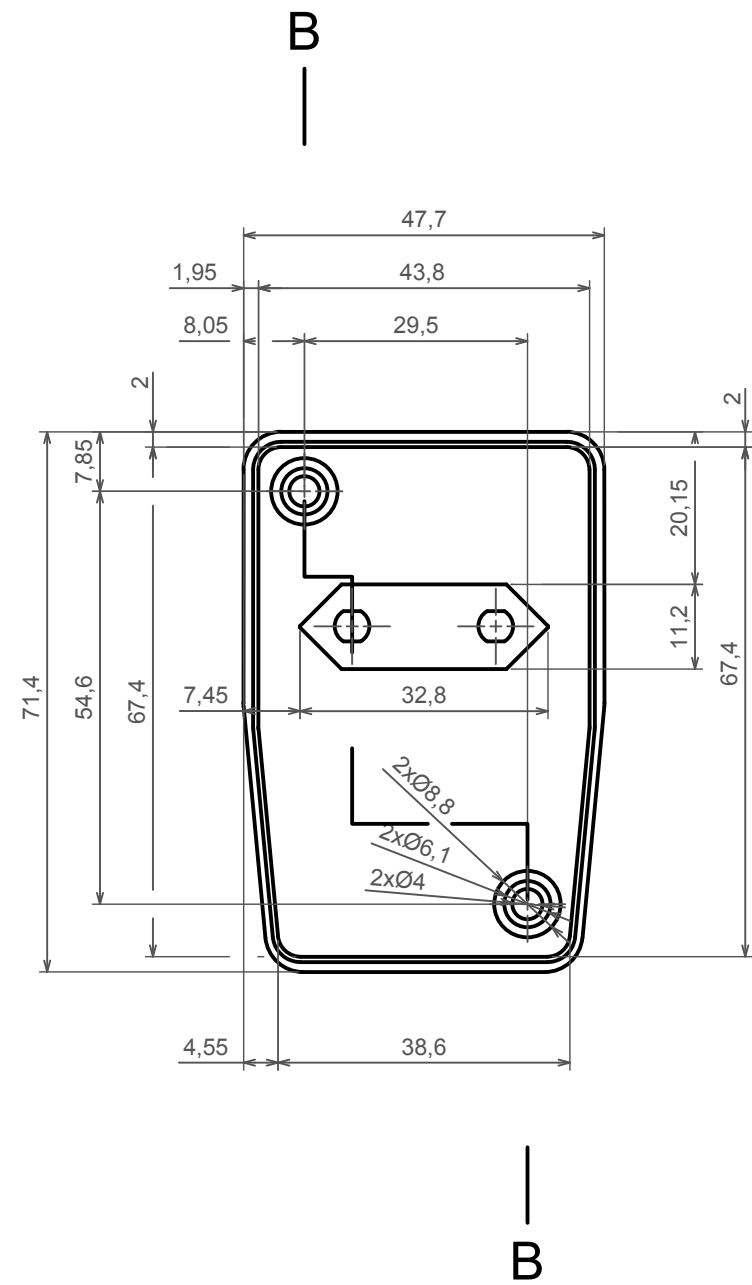


All rights reserved, Copyright Kradex 2017		
Product model	Enclosure Z13A - Assembly	
Format: A3	Material: PS, ABS	
Scale 1:1	Tolerance: +/- 0.6	



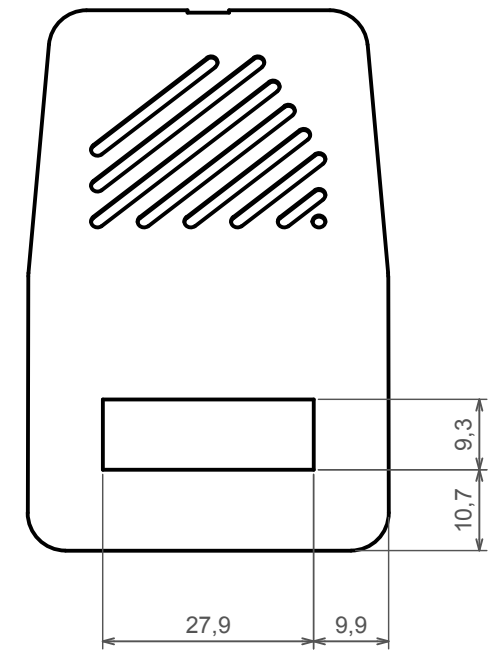
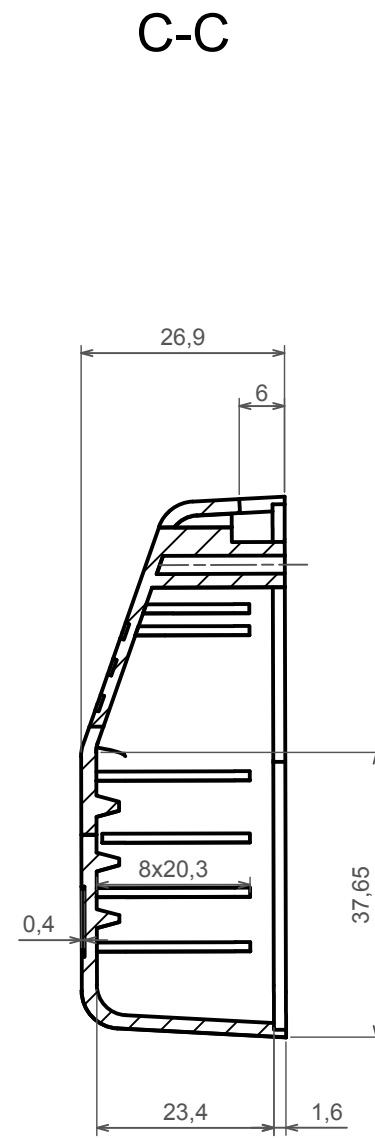
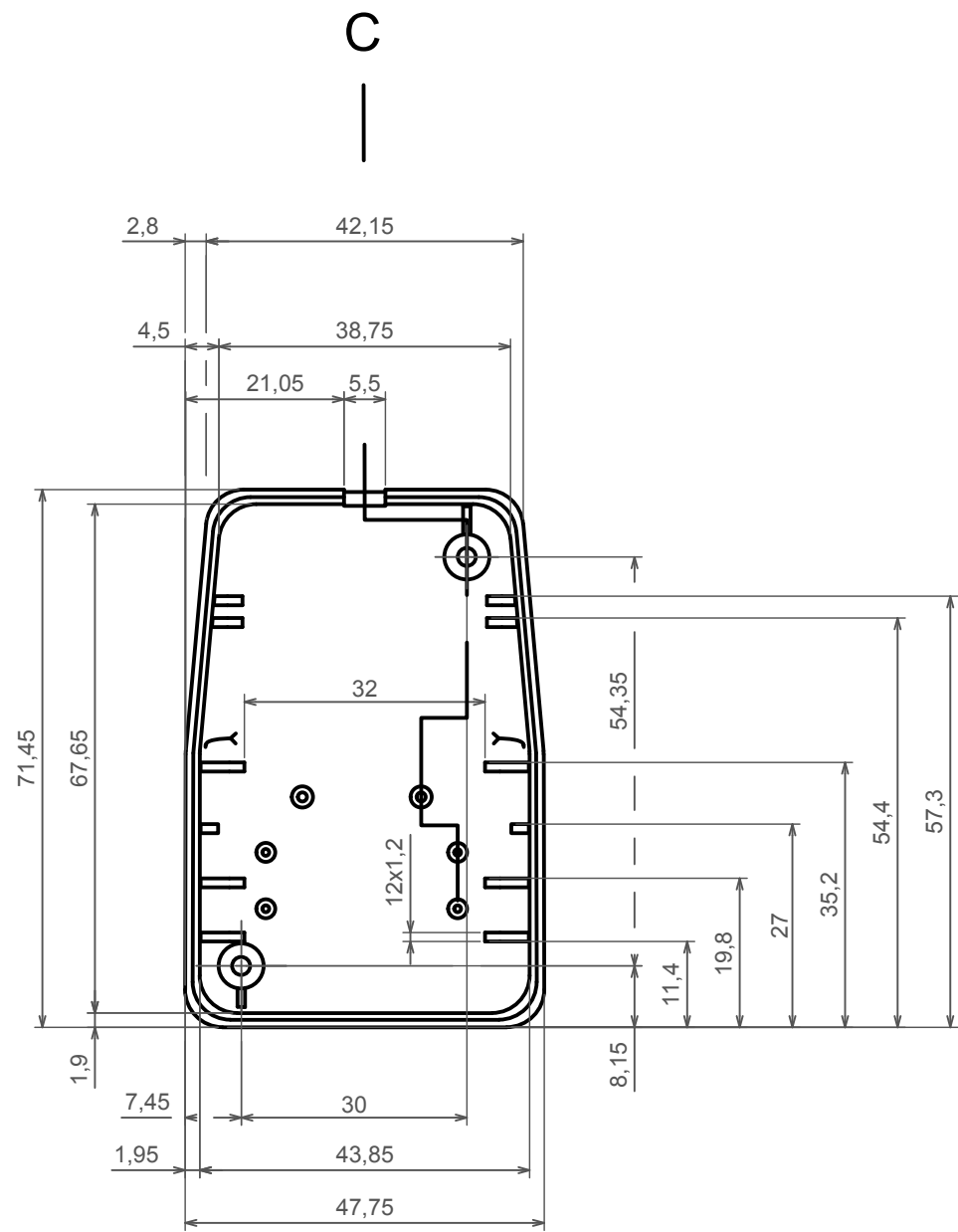
All rights reserved, Copyright Kradox 2017

Product model    Enclosure Z13A - Base

Format: A3        Material: PS, ABS

Scale 1:1        Tolerance: +/- 0.6





C

All rights reserved, Copyright Kradox 2017

Product model: Enclosure Z13A - Cover

Format: A3      Material: PS, ABS

Scale 1:1      Tolerance: +/- 0.6

