

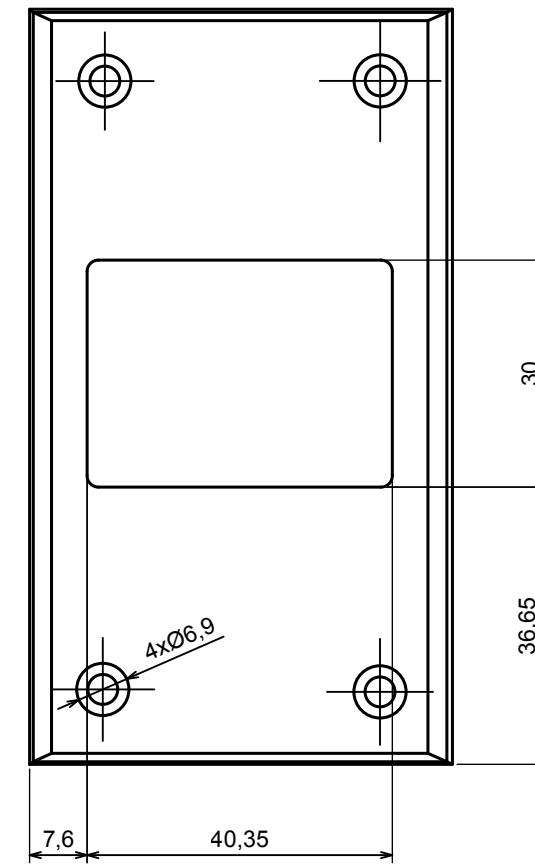
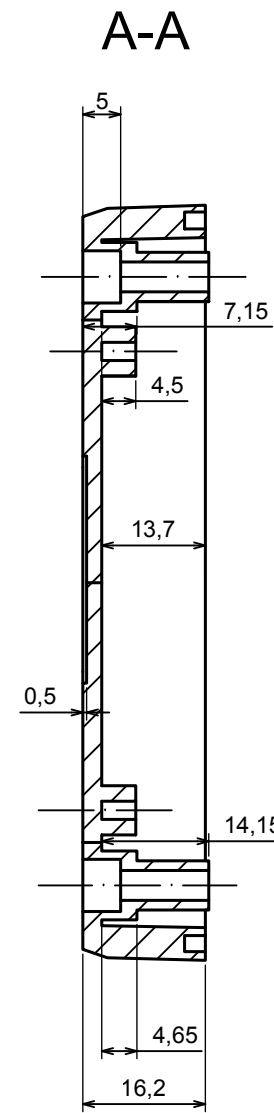
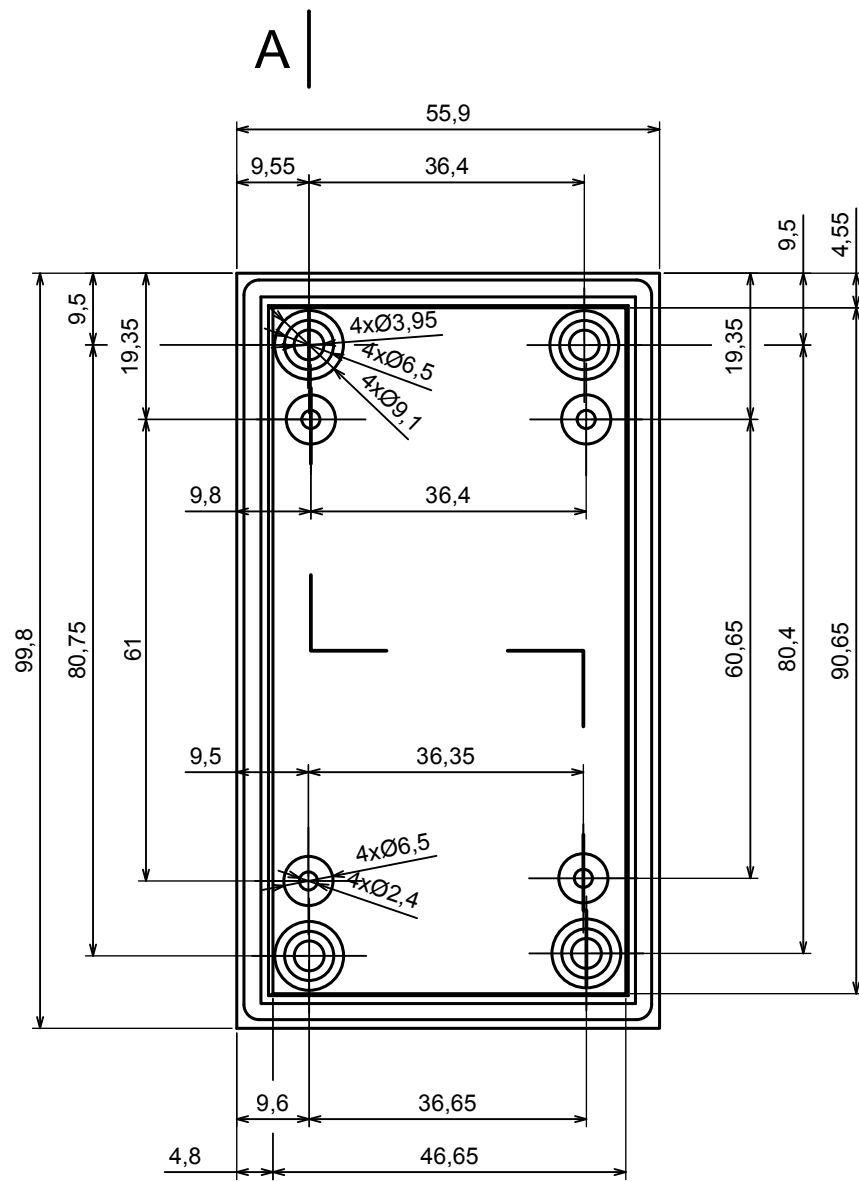
All rights reserved, Copyright Kradex 2017

Product model Enclosure Z45 - assembly

Format: A3 Material: PS, ABS

Scale 1:1 Tolerance: +/- 0.8





A |

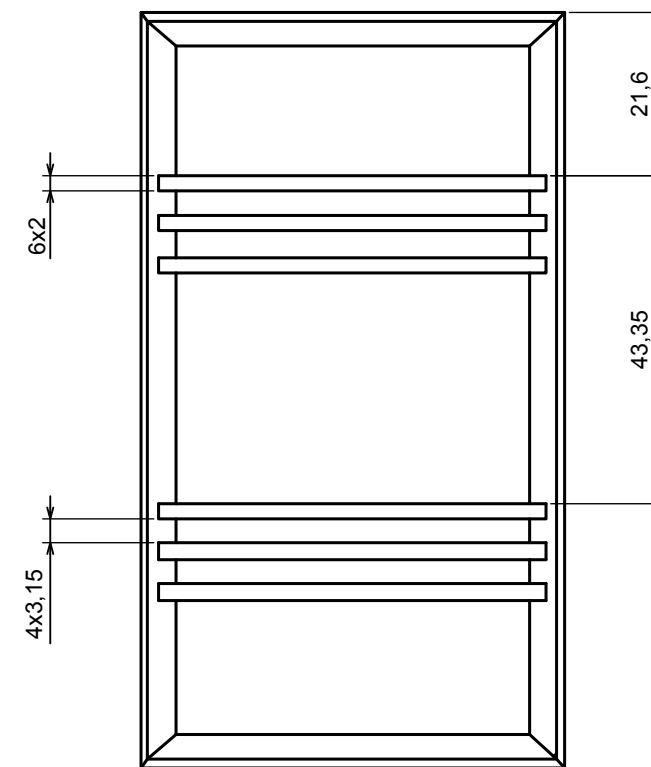
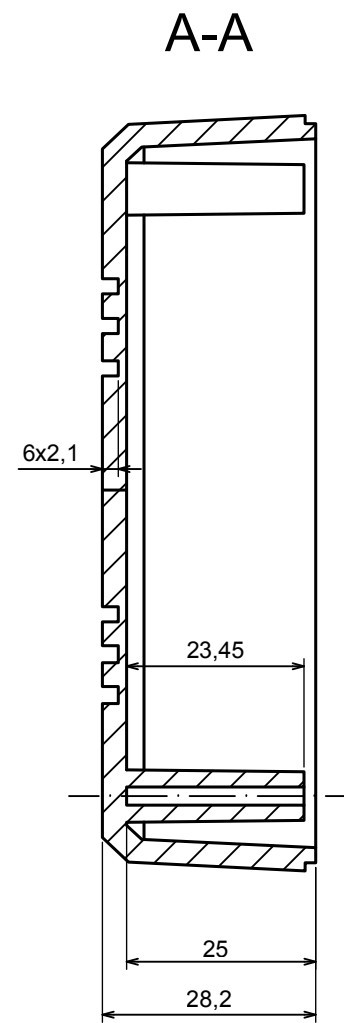
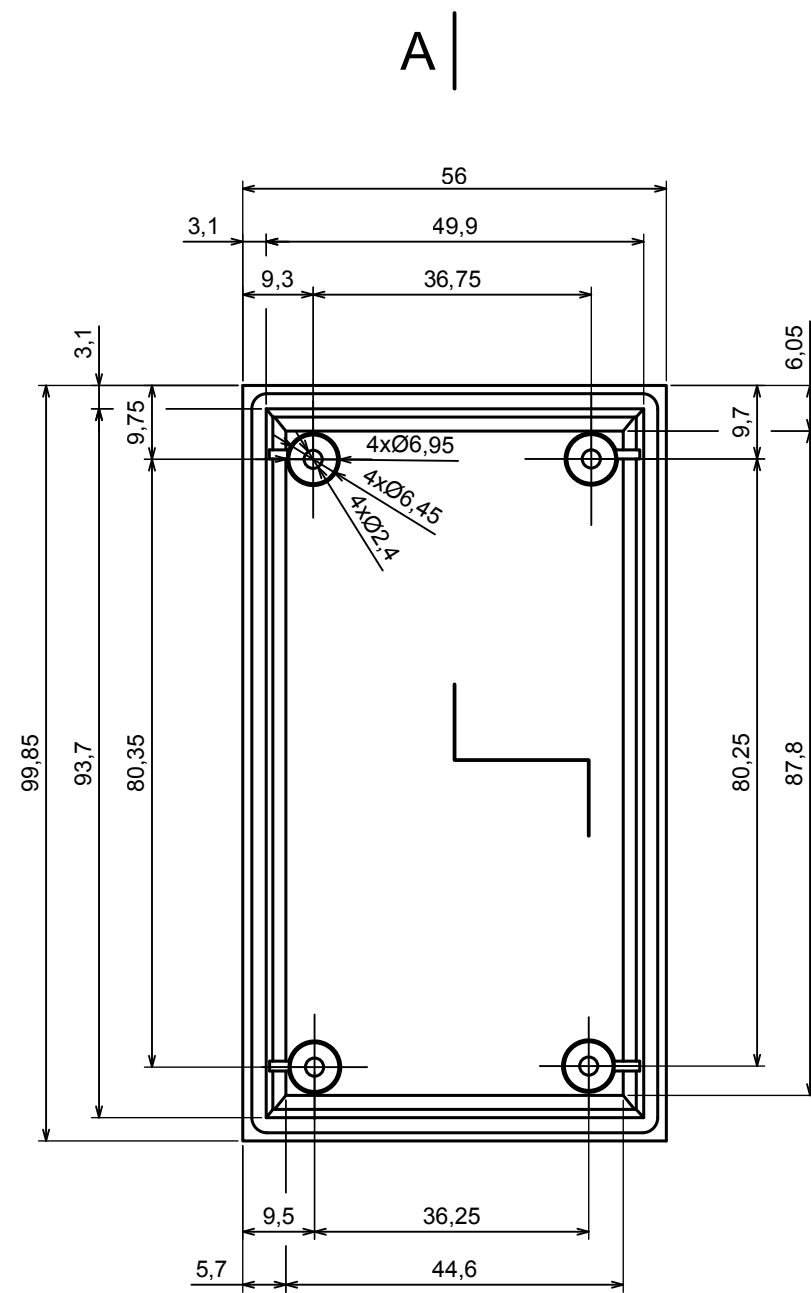
All rights reserved, Copyright Kradox 2017

Product model | Enclosure Z45 - base

Format: A3 | Material: PS, ABS

Scale 1:1 | Tolerance: +/- 0.8





A |

All rights reserved, Copyright Kradox 2017

Product model    Enclosure Z45 - cover

Format: A3        Material: PS, ABS

Scale 1:1        Tolerance: +/- 0.8

