

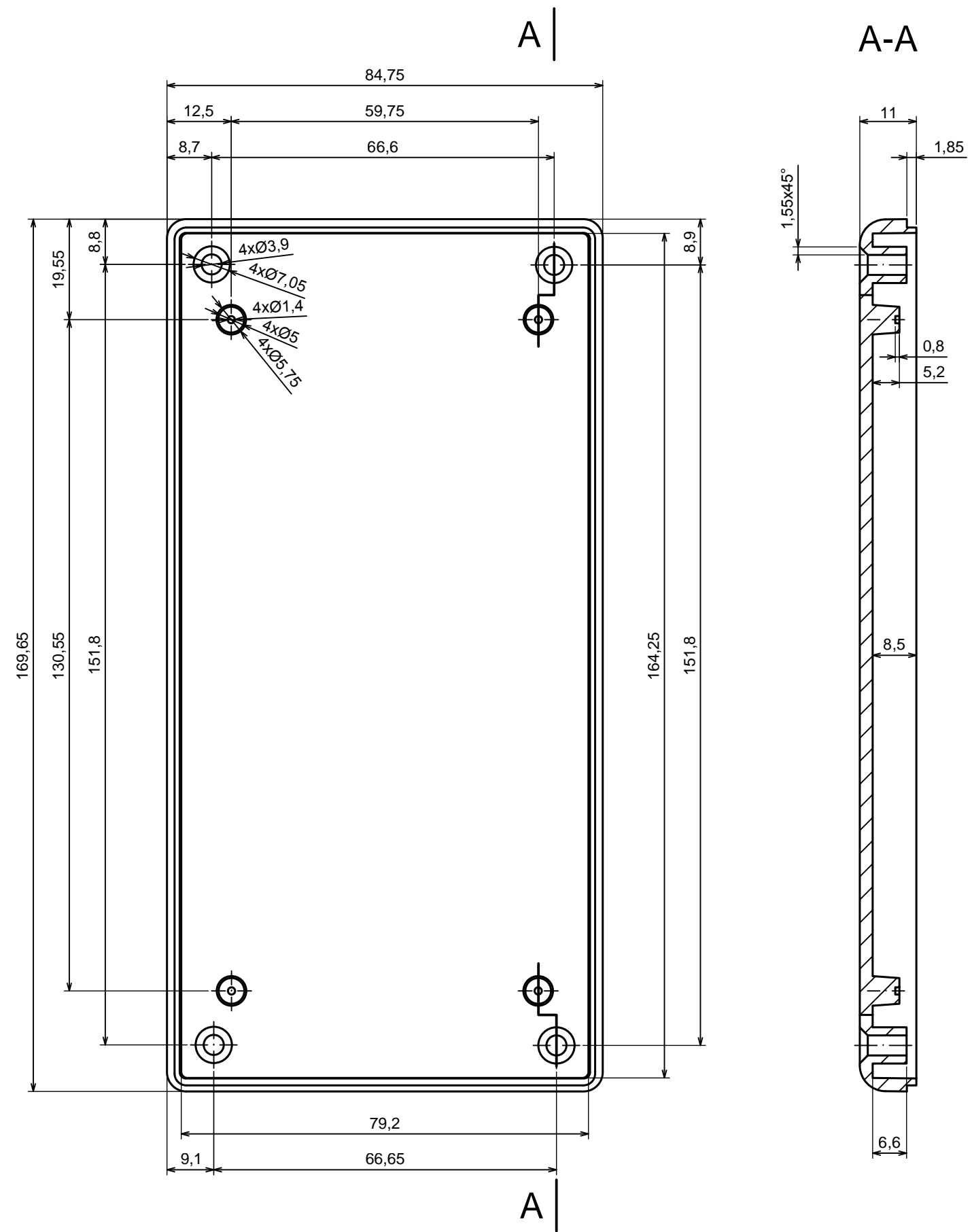
All rights reserved, Copyright Kradex 2016

Product model: Enclosure Z38 - assembly

Format: A3      Material: PS, ABS

Scale 1:1      Tolerance: +/- 0.5





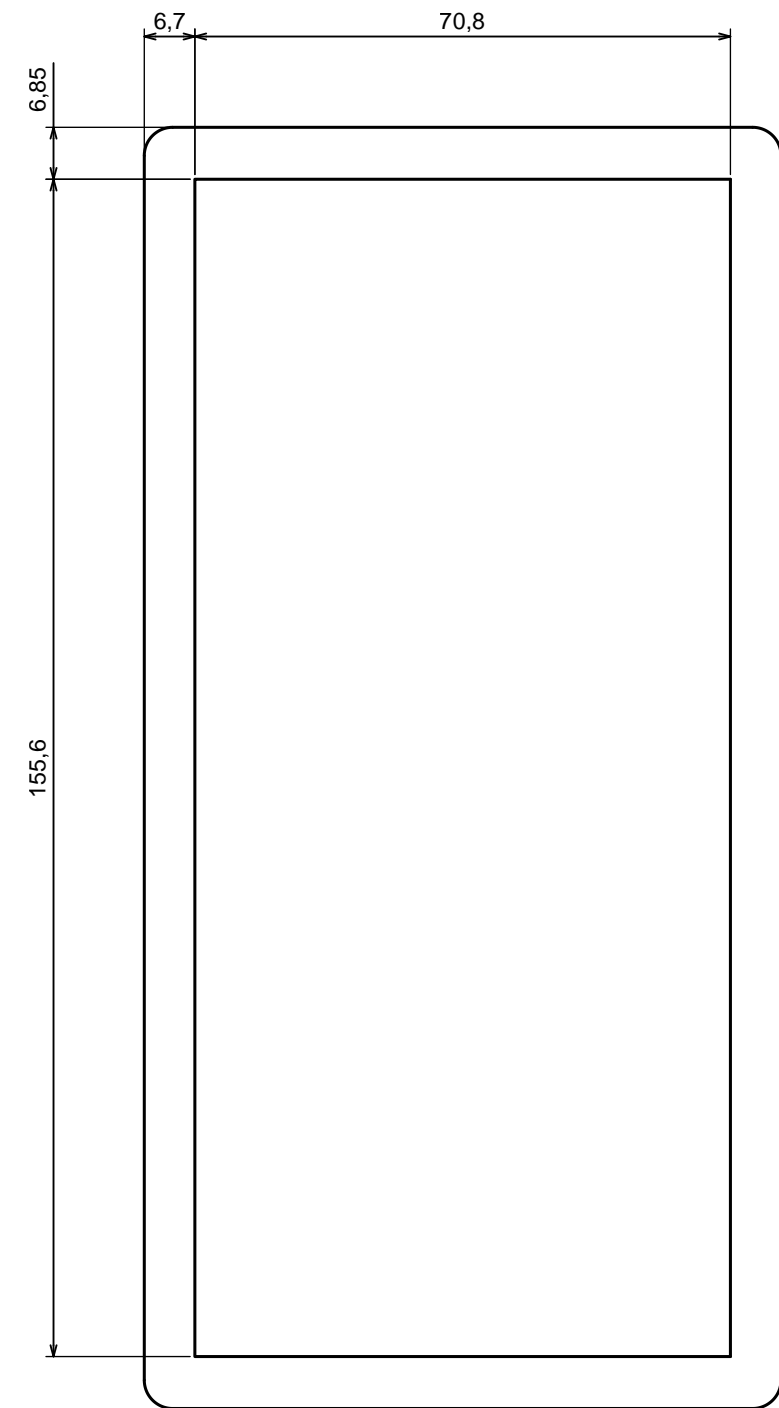
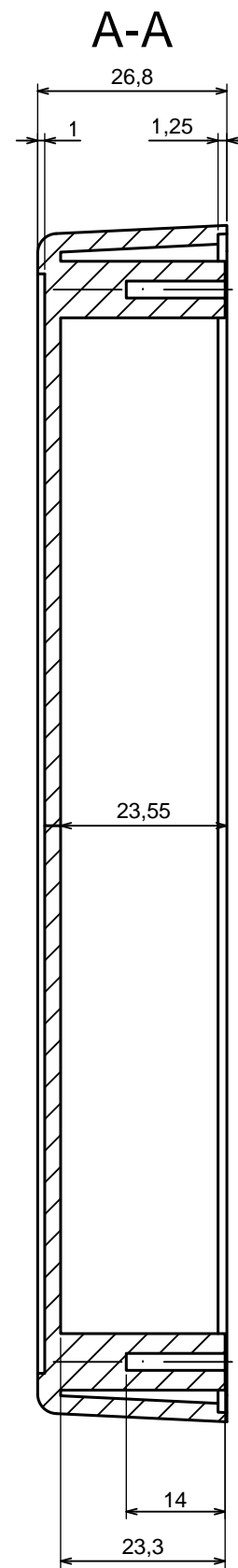
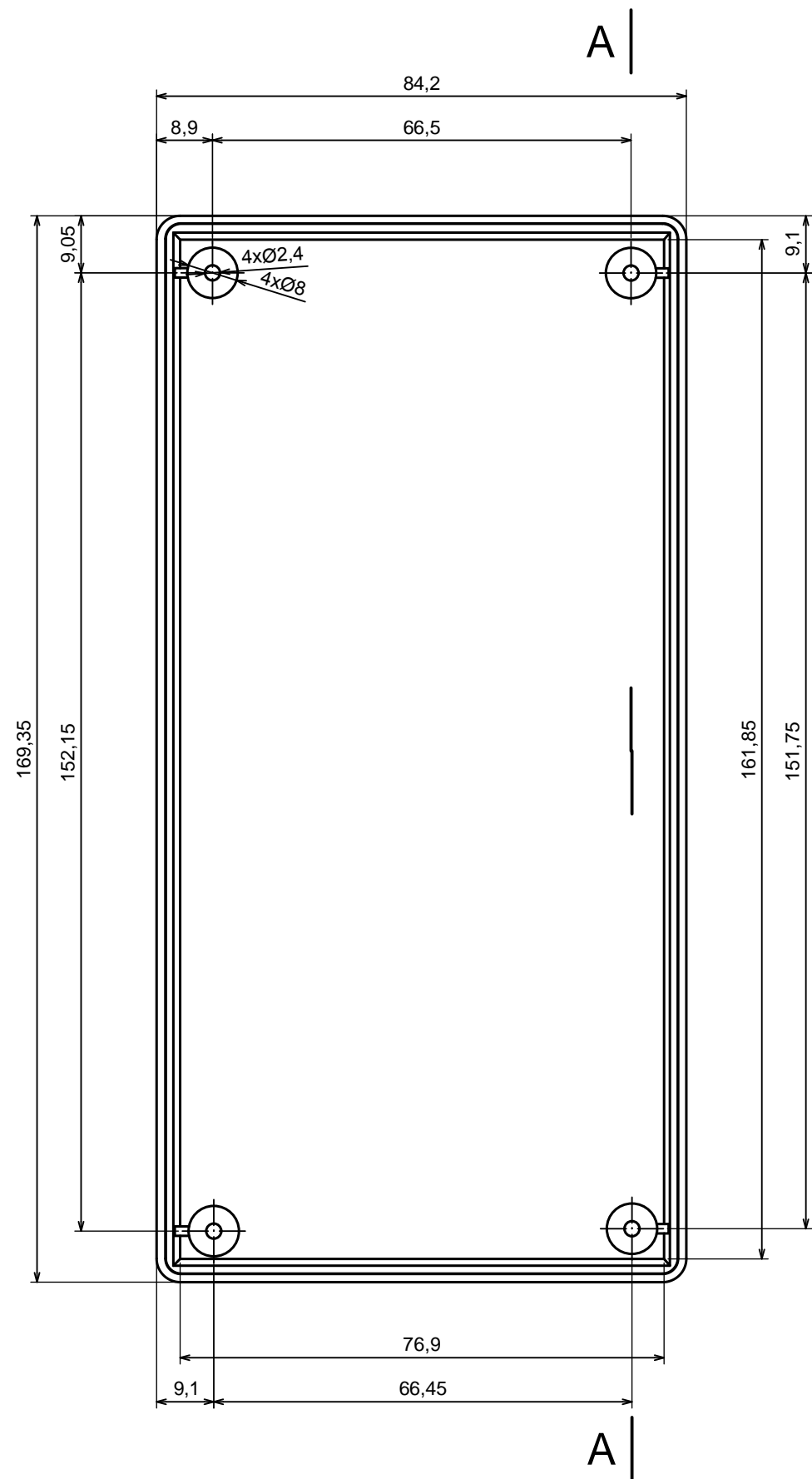
All rights reserved, Copyright Kradox 2016

Product model: Enclosure Z38 - base

Format: A3      Material: PS, ABS

Scale 1:1      Tolerance: +/- 0.5





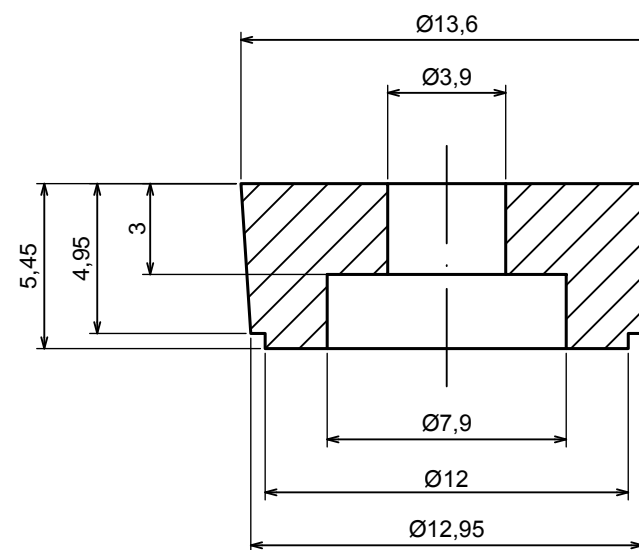
All rights reserved, Copyright Kradox 2016

Product model Enclosure Z38 - cover

Format: A3 Material: PS, ABS

Scale 1:1 Tolerance: +/- 0.5





All rights reserved, Copyright Kradox 2016

Product model: Enclosure Z38 - foot

Format: A3      Material: PS, ABS

Scale 4:1      Tolerance: +/- 0.2

