

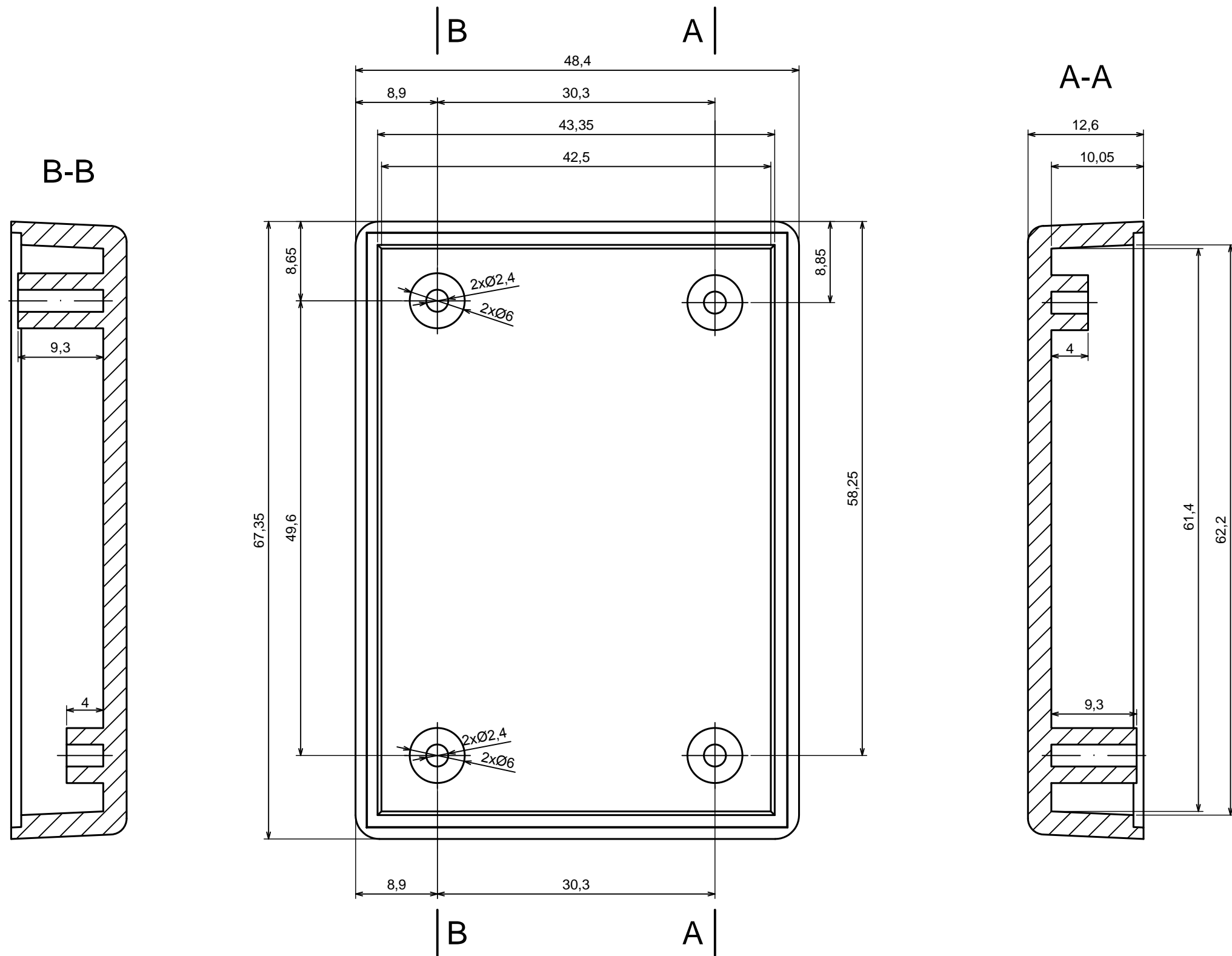
All rights reserved, Copyright Kradox 2016


Product model: Enclosure Z24A - assembly

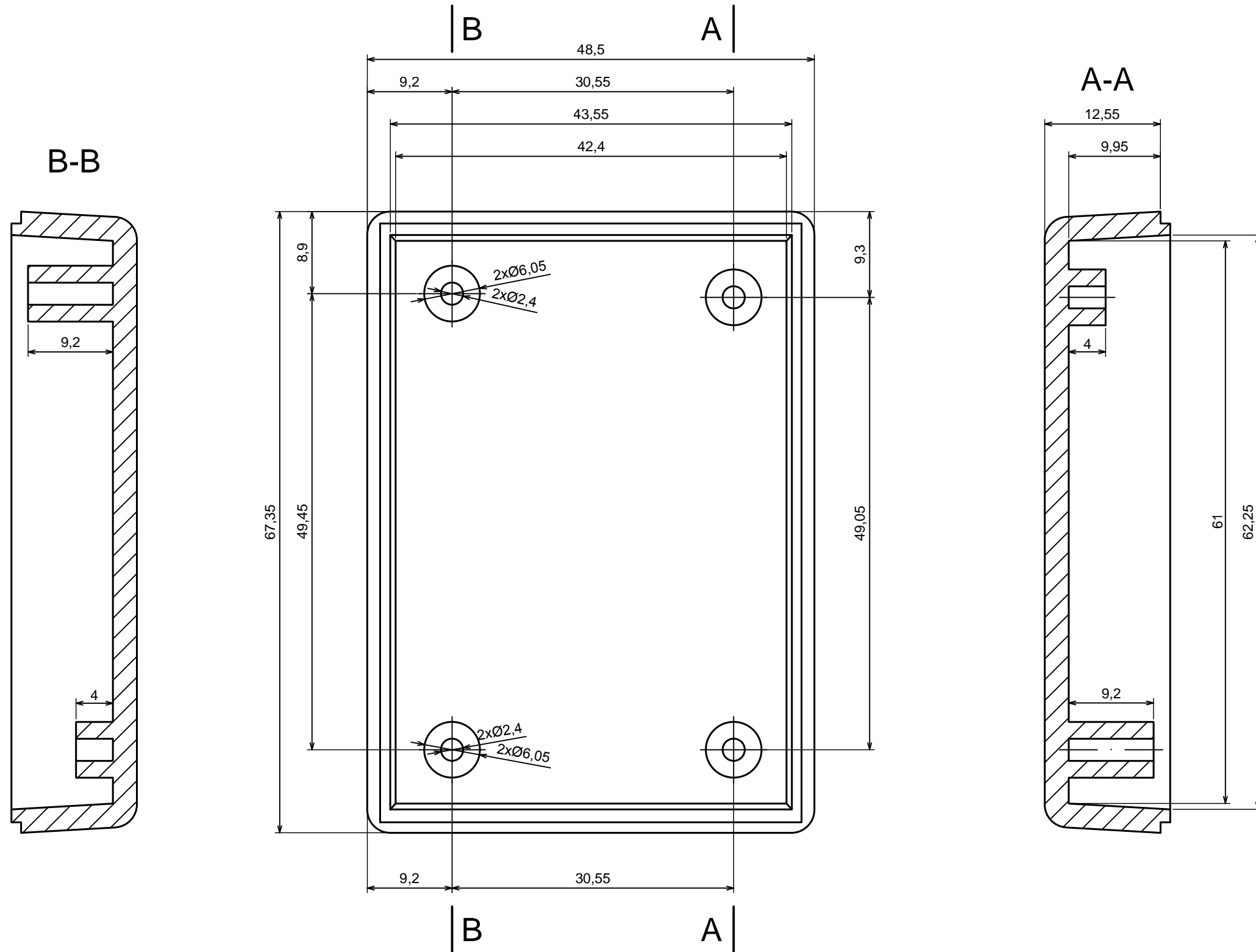
Format: A3      Material: PS, ABS

Scale 2:1      Tolerance: +/- 0.5





All rights reserved, Copyright Kradox 2016		
Product model	Enclosure Z24A - base	
Format: A3	Material: PS, ABS	
Scale 2:1	Tolerance: +/- 0.5	



All rights reserved, Copyright Kradox 2016

Product model: Enclosure Z24A - cover

Format: A3      Material: PS, ABS

Scale 2:1      Tolerance: +/- 0.5

