

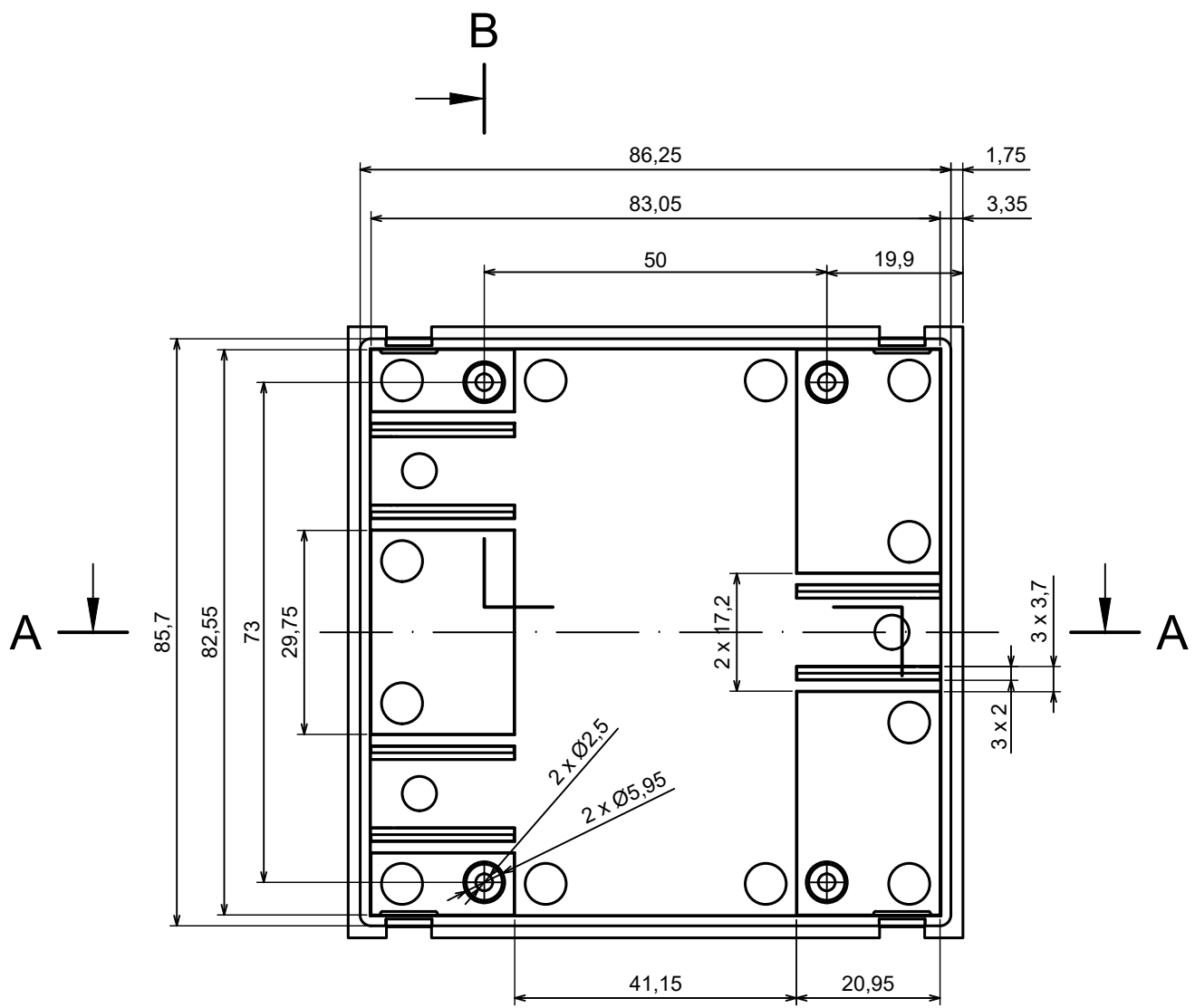
All rights reserved. Copyright Kradox 2023

Product model Enclosure ZD3005 - Assembly

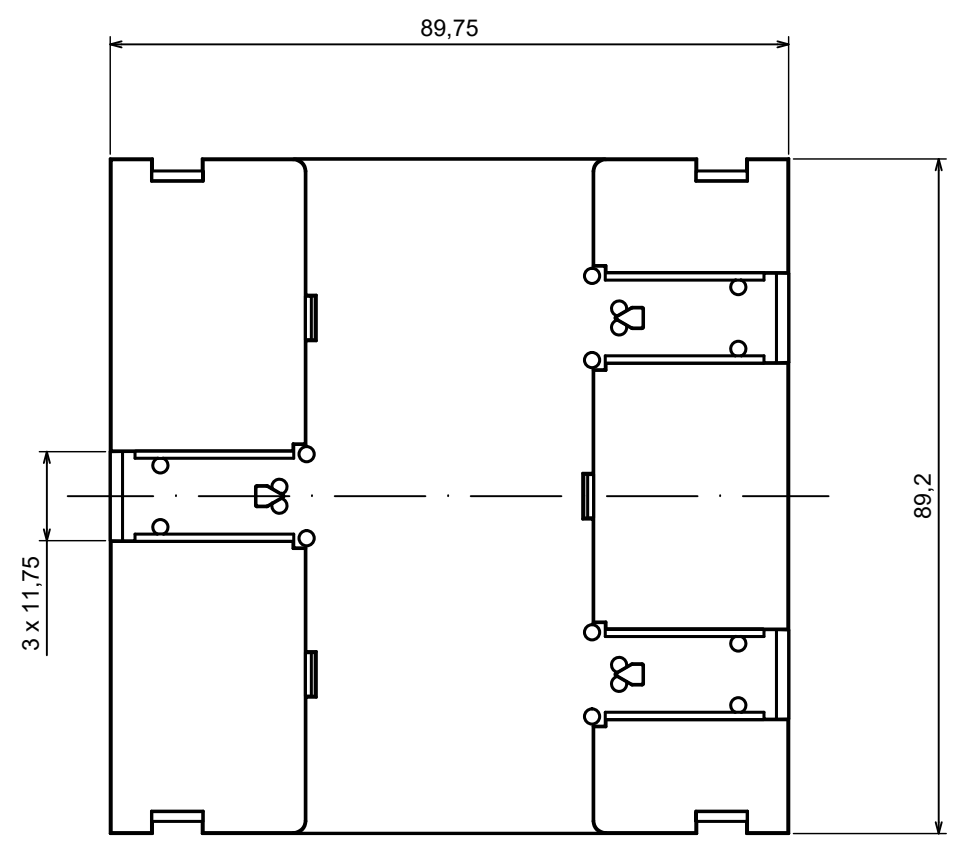
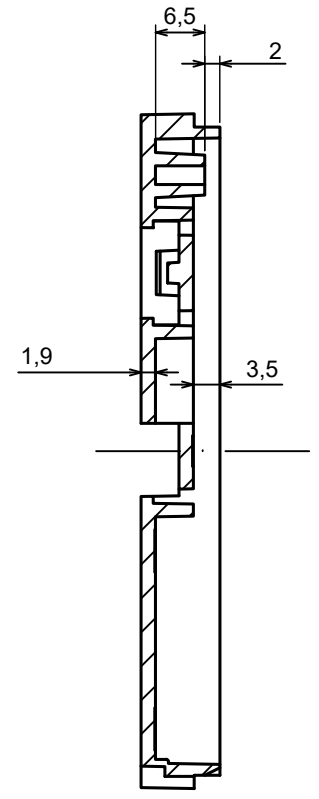
Format: A3 Material: ABS

Scale 1:1 Tolerance: +/- 0,5

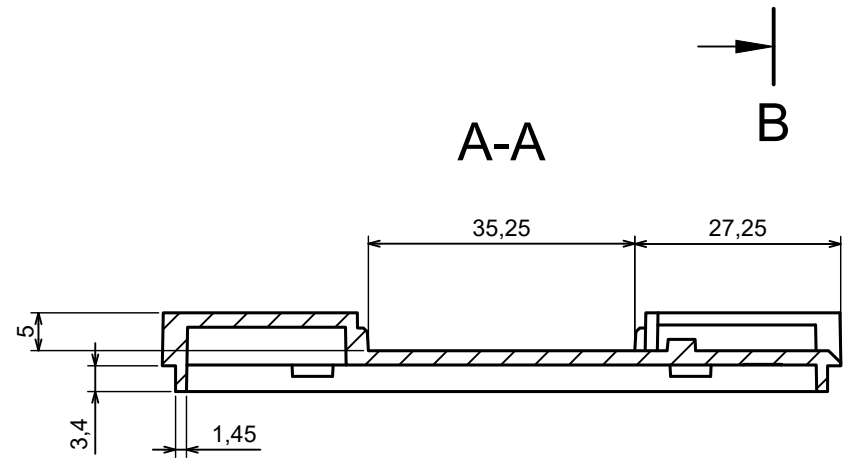





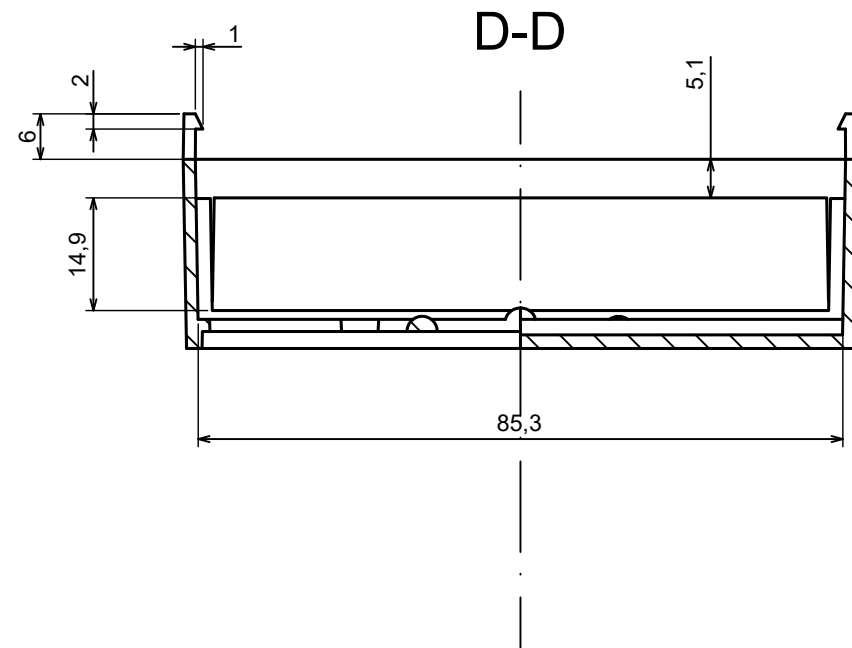
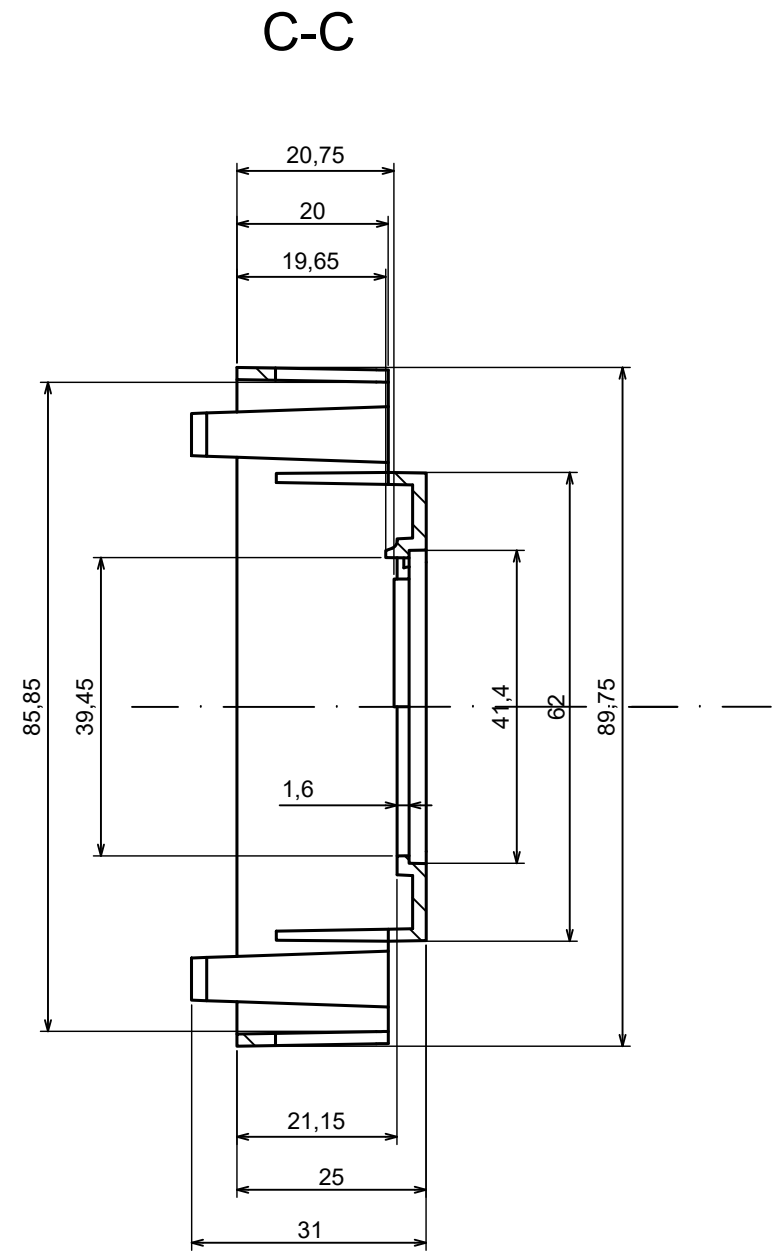
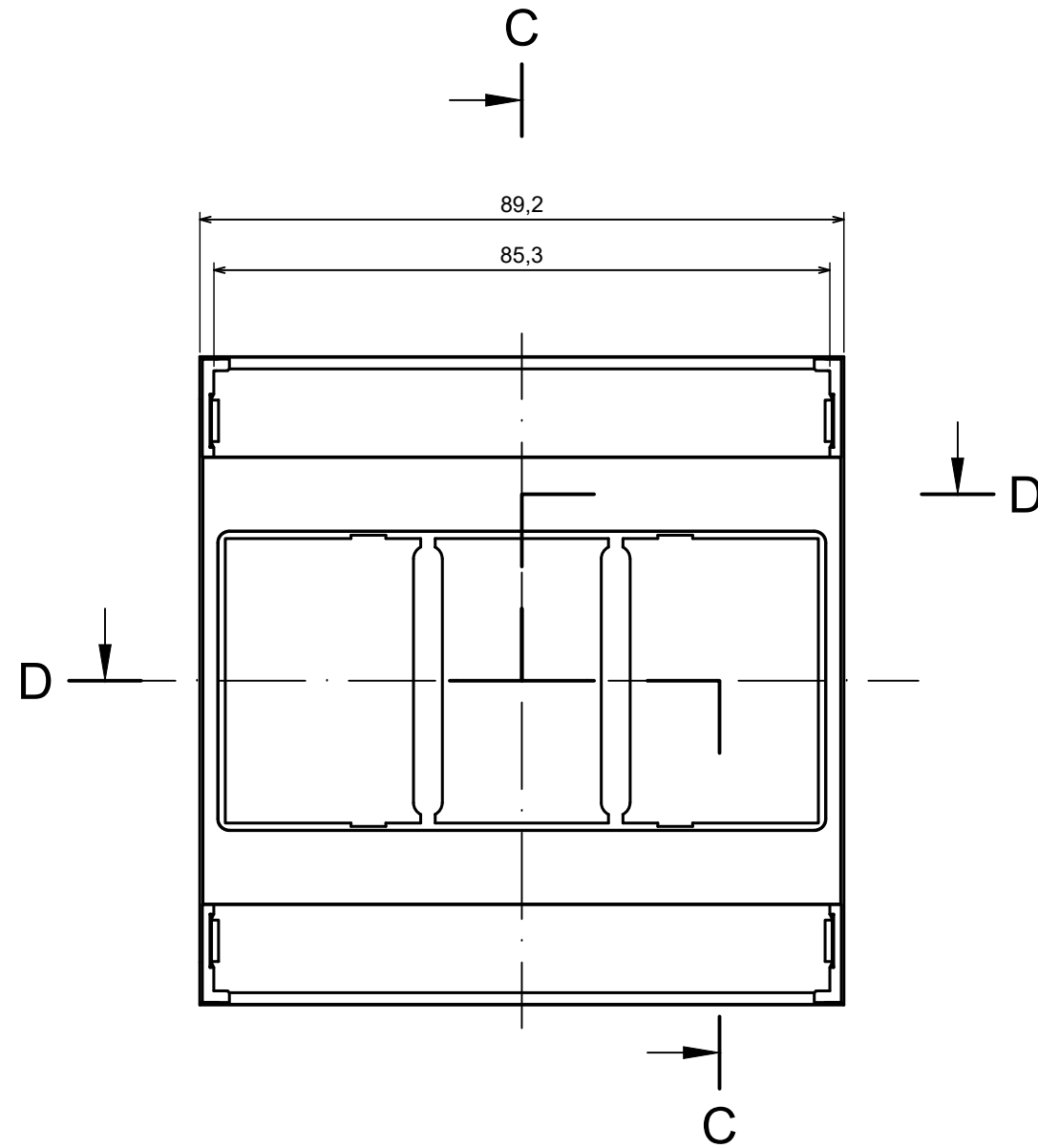
B-B



A-A



All rights reserved. Copyright Kradox 2023		
Product model	Enclosure ZD3005 - Base	
Format: A3	Material: ABS	
Scale 1:1	Tolerance: +/- 0,5	



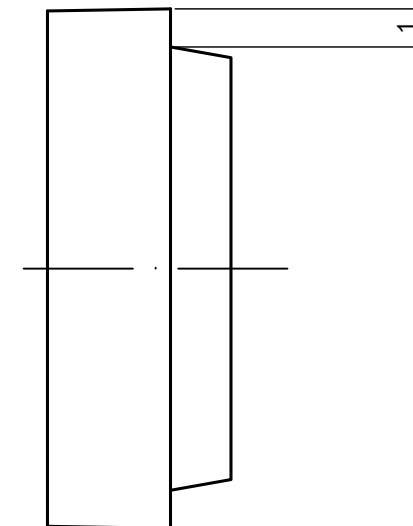
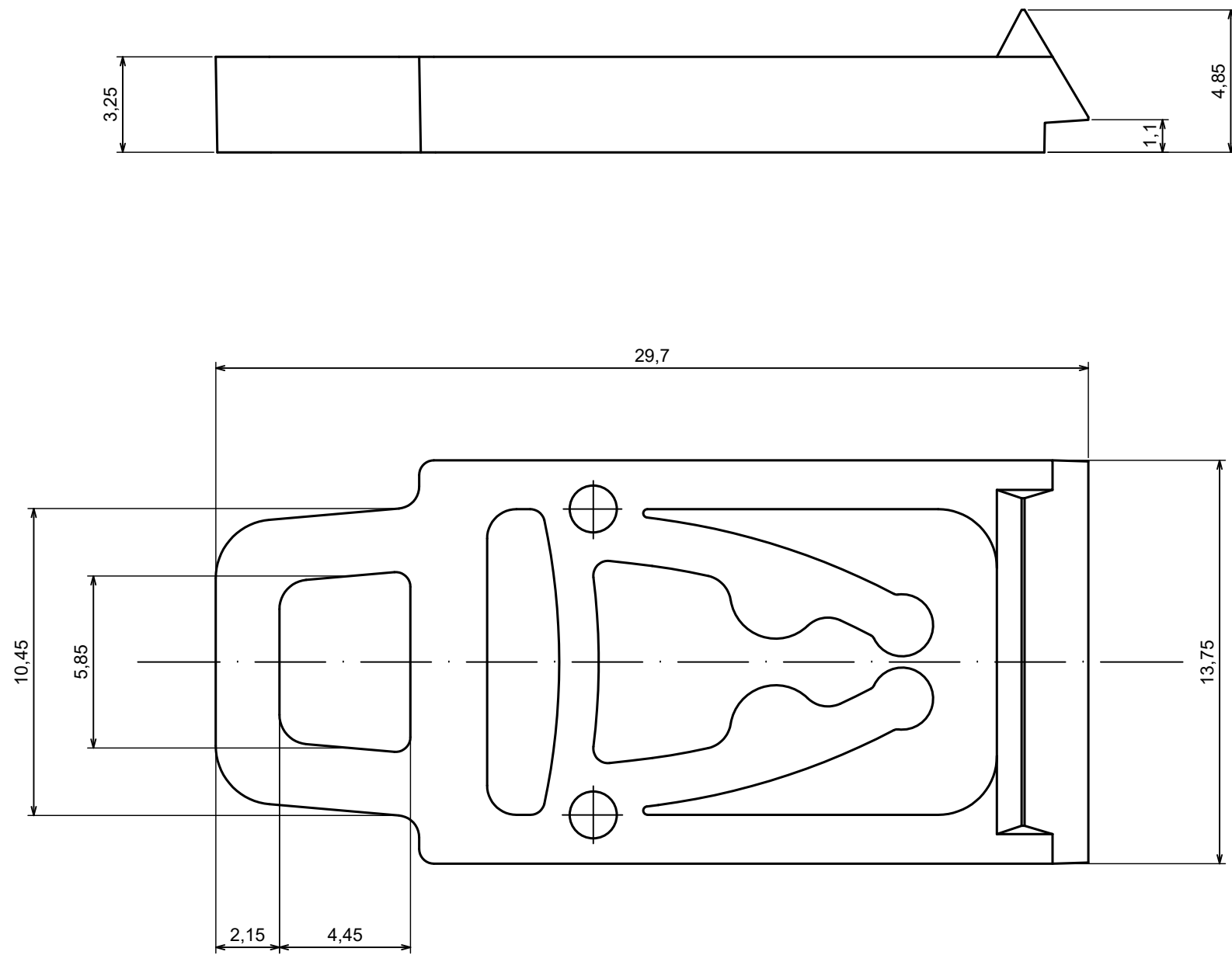
All rights reserved. Copyright Kradox 2023

Product model Enclosure ZD3005 - Cover

Format: A3 Material: ABS

Scale 1:1 Tolerance: +/- 0,5





All rights reserved. Copyright Kradex 2023

Product model Enclosure ZD3005 - Hook

Format: A3 Material: ABS

Scale 5:1 Tolerance: +/- 0,5

