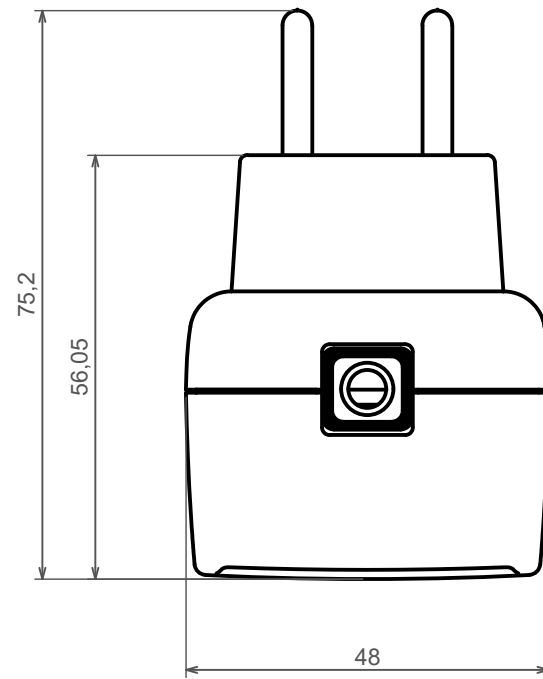
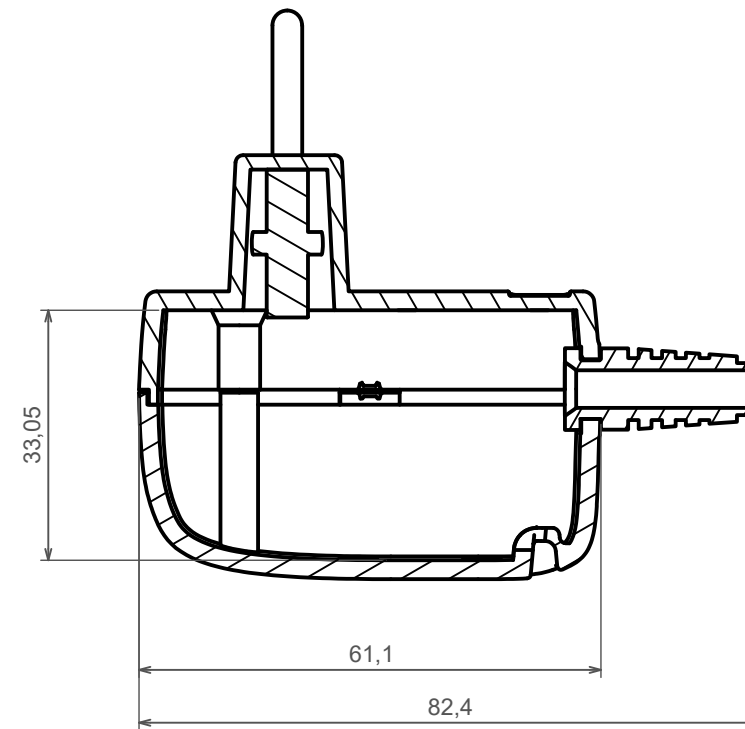


A |



A |

A-A



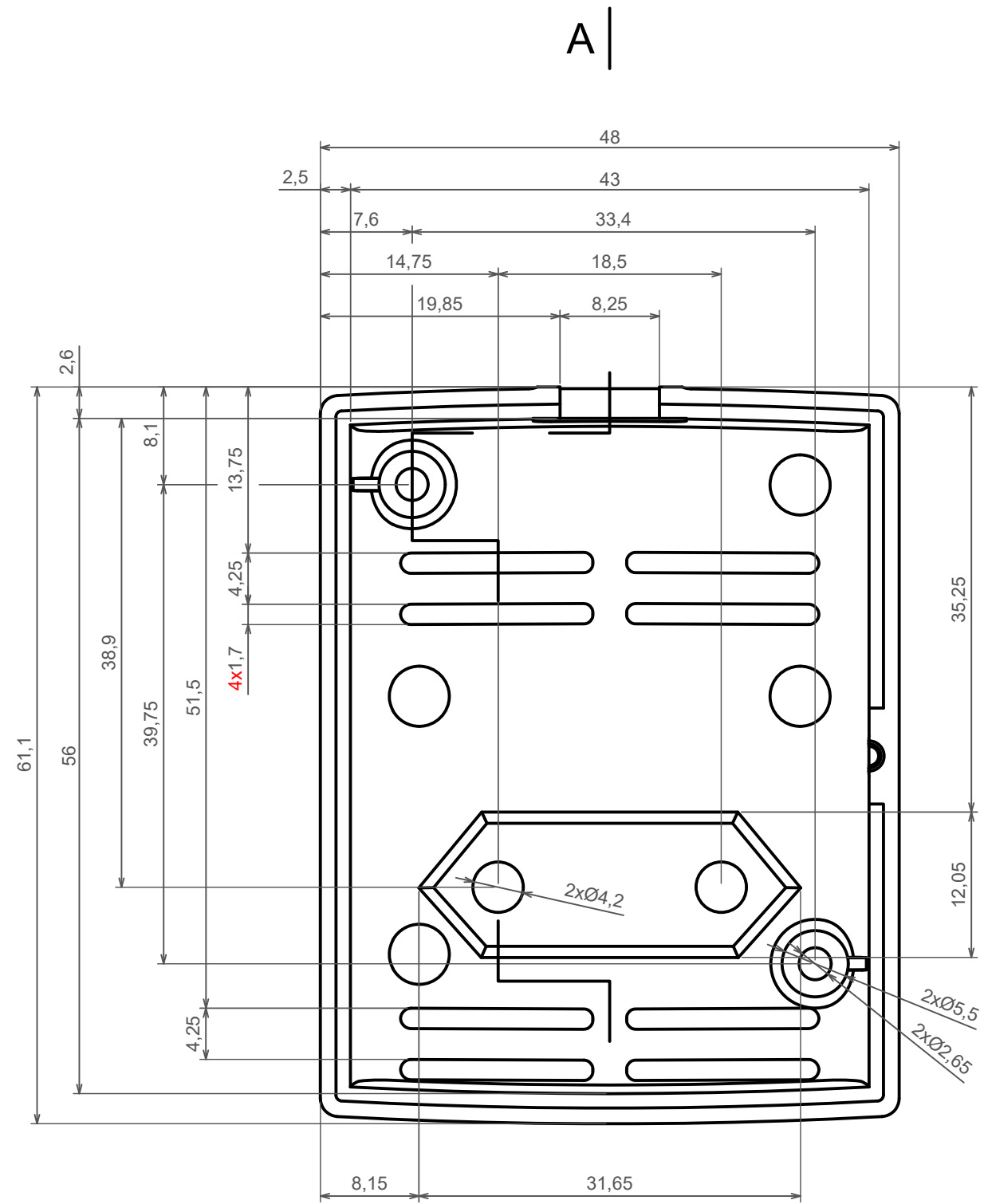
All rights reserved, Copyright Kradox 2023

Product model    Enclosure ZPSU1 - Assembly

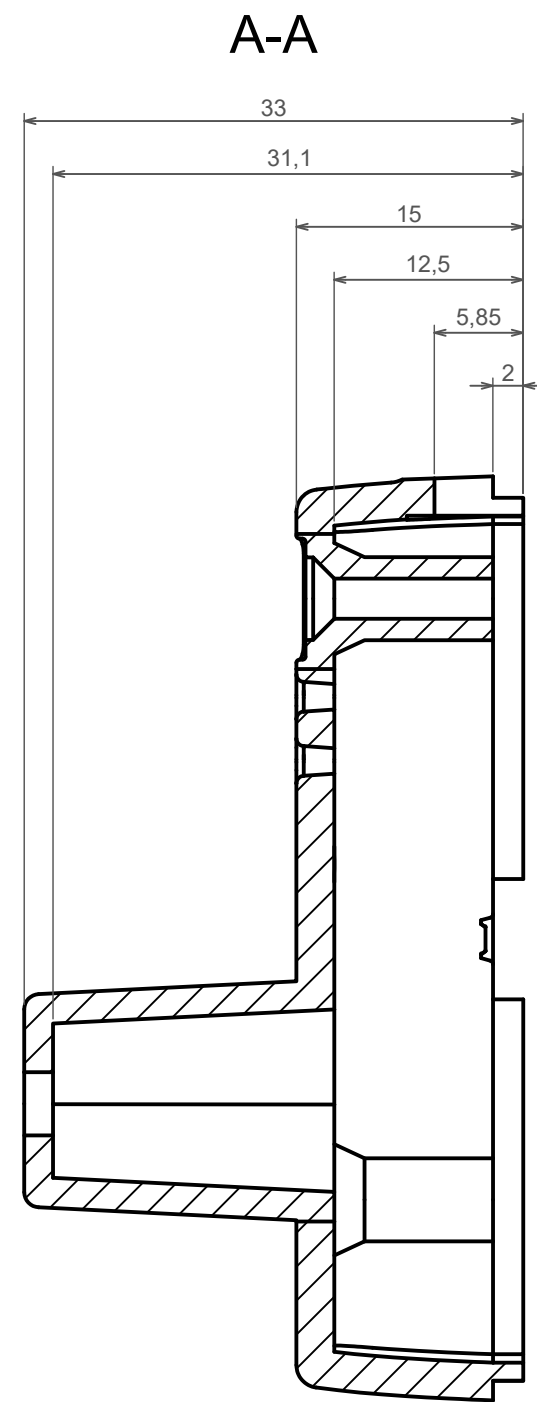
Format: A3    Material: ABS

Scale 1:1    Tolerance: +/- 0.5





A |



All rights reserved, Copyright Kradox 2023

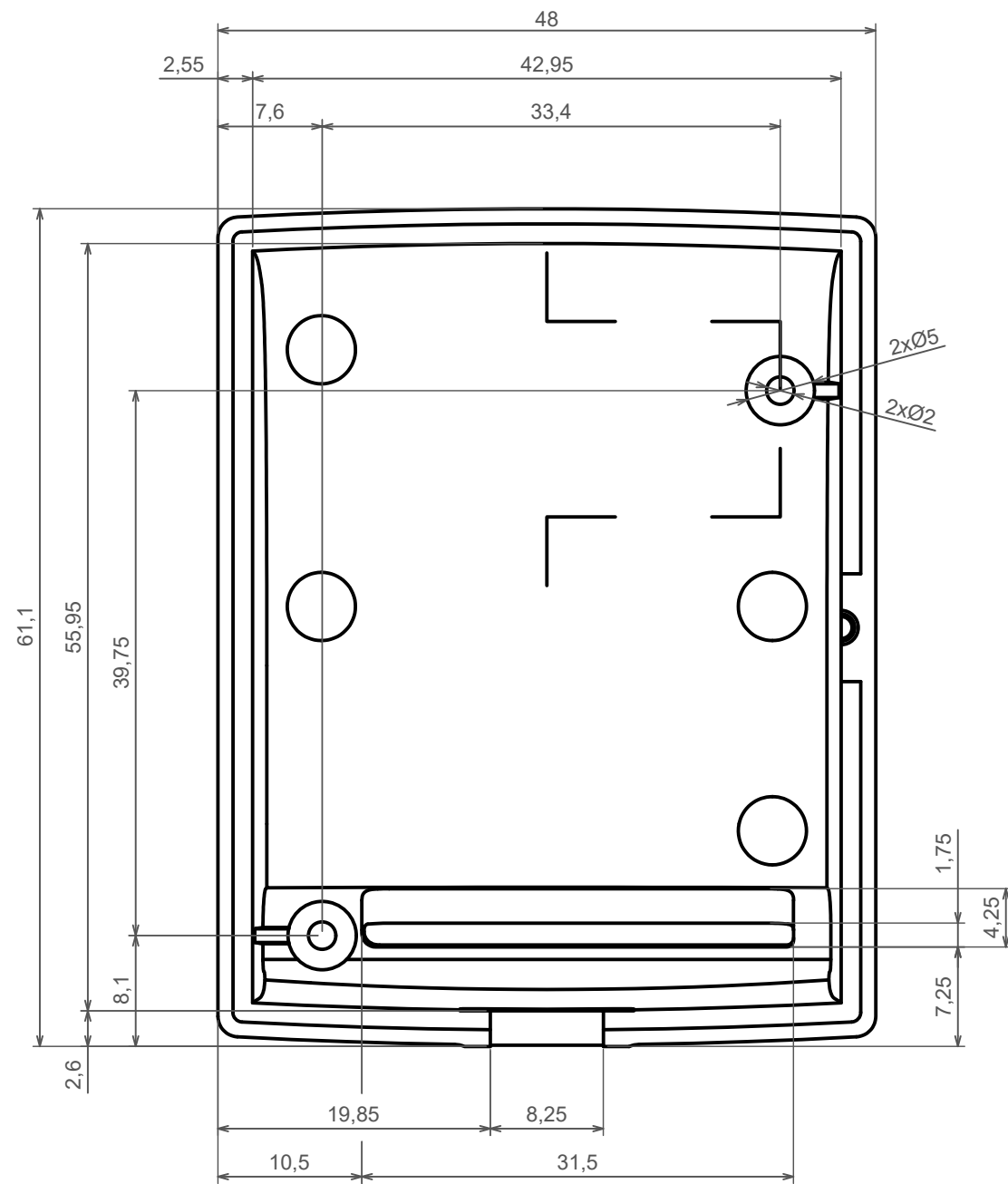
Product model: Enclosure ZPSU1 - Base

Format: A3      Material: ABS

Scale 2:1      Tolerance: +/- 0.5

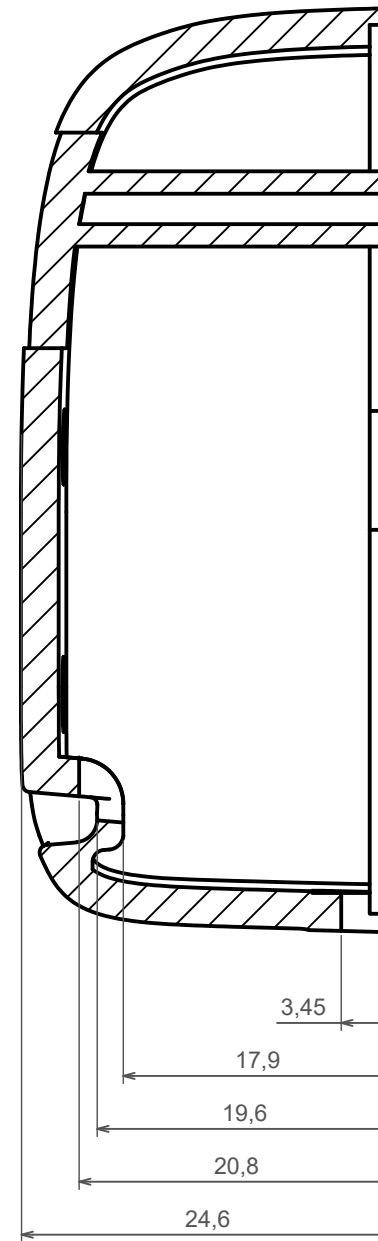


B |



B |

B-B



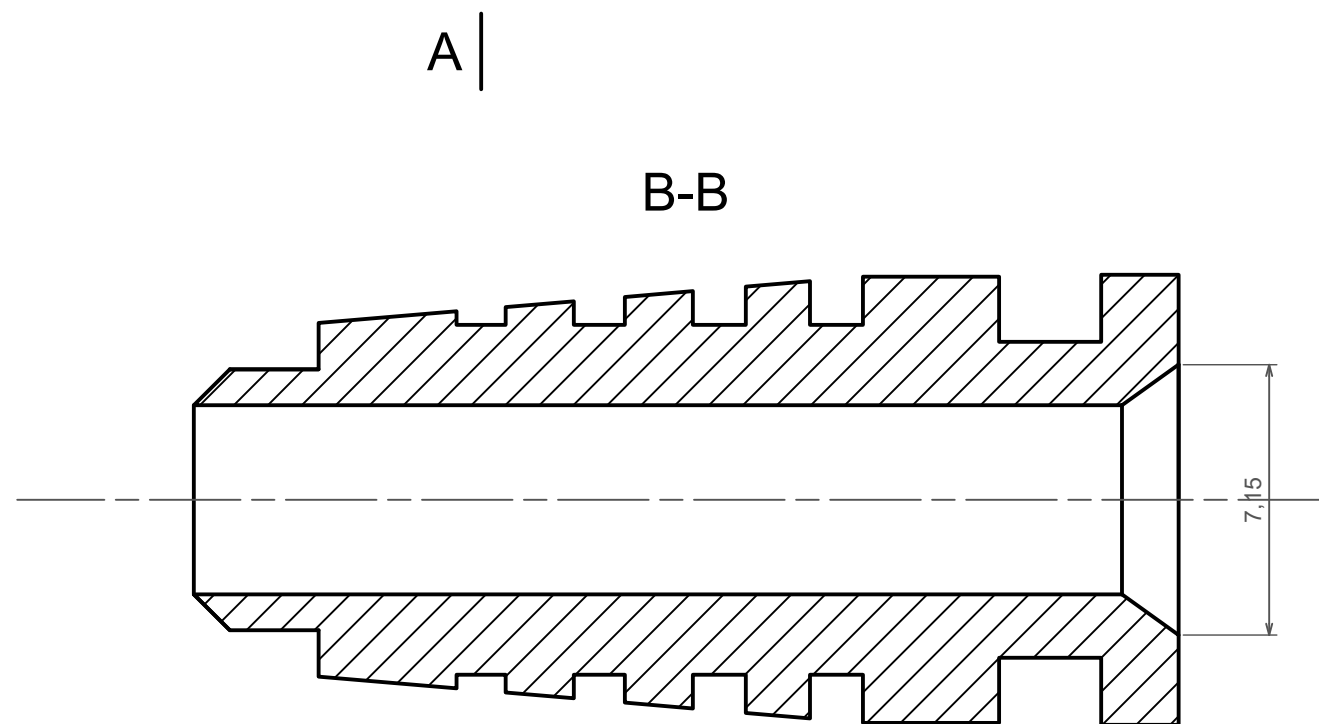
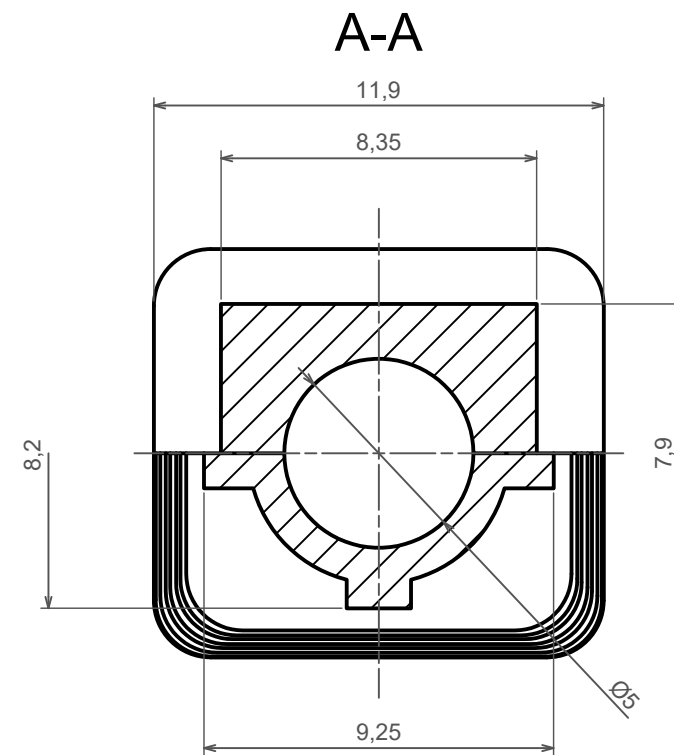
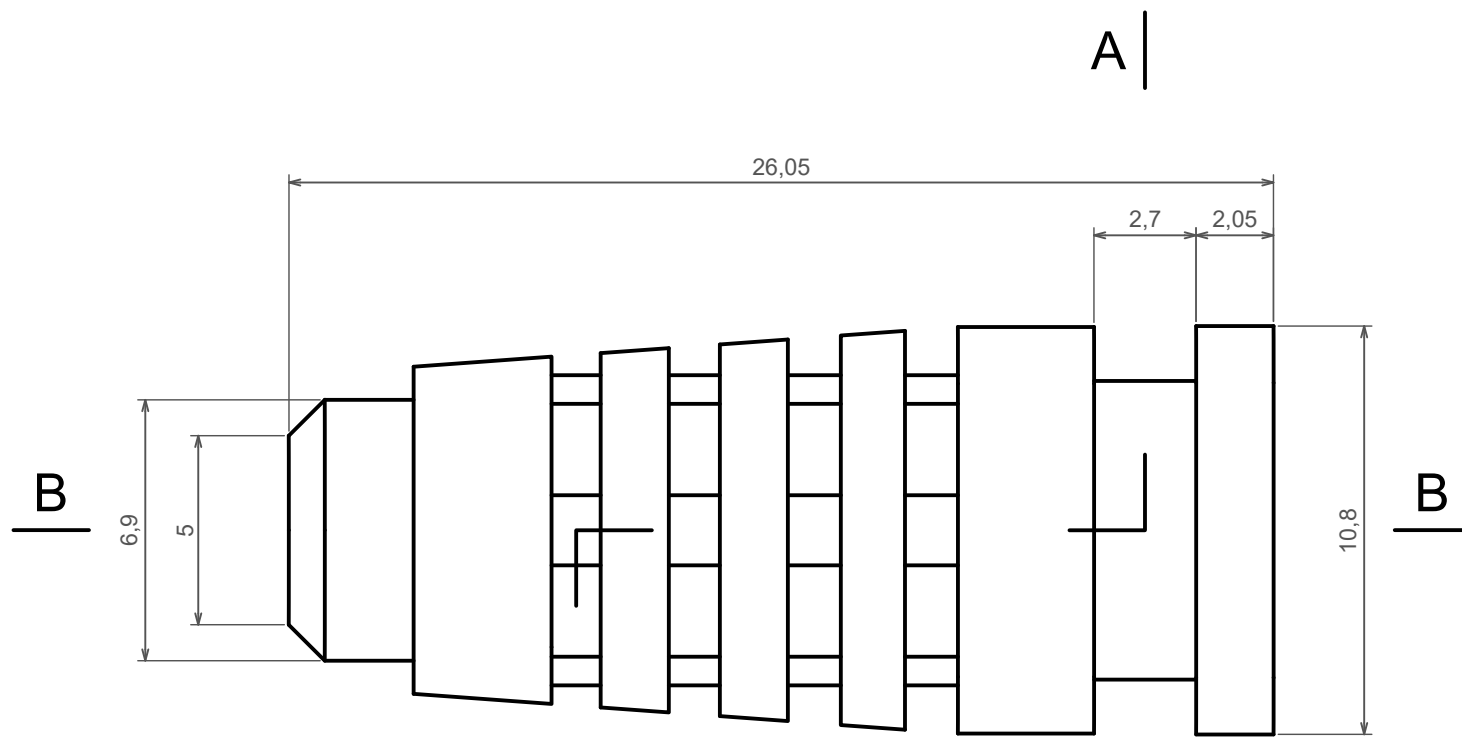
All rights reserved, Copyright Kradox 2023

Product model Enclosure ZPSU1 - Cover

Format: A3 Material: ABS

Scale 2:1 Tolerance: +/- 0.5





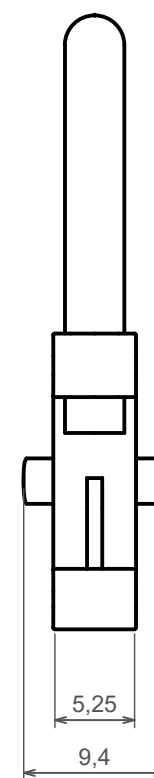
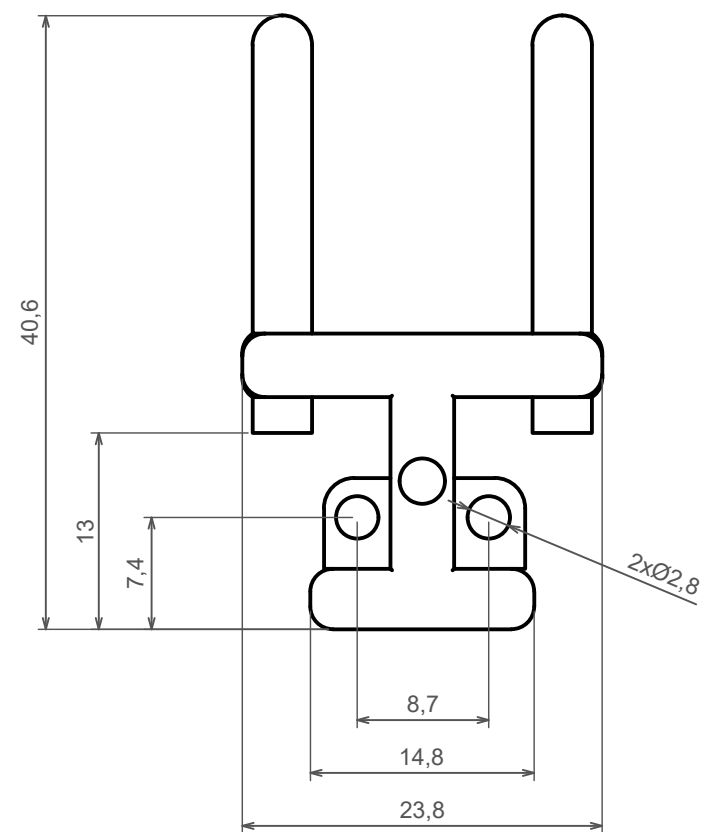
All rights reserved, Copyright Kradox 2023


Product model Enclosure ZPSU1 - Bend protector Ø5

Format: A3 Material: Rubber

Scale 5:1 Tolerance: +/- 0.8





All rights reserved, Copyright Kradox 2023		
Product model	Enclosure ZPSU1 - Plug	
Format: A3	Material:	
Scale 2:1	Tolerance: +/- 0.5	