
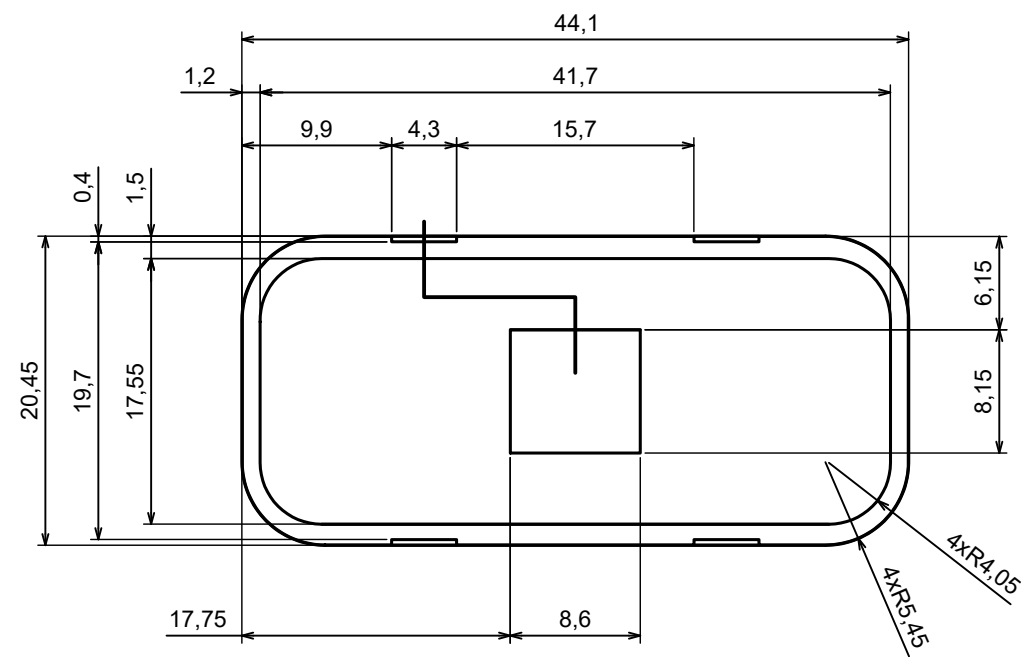


A |

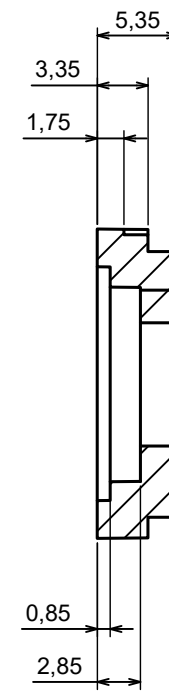
| | | |
|--|-------------------------|---|
| All rights reserved, Copyright Kradex 2023 | | |
| Product model | ZOBD CAP fi5 - Assembly | |
| Format: A3 | Material: ABS |  |
| Scale 2:1 | Tolerance: +/- 0.5 | |


A |

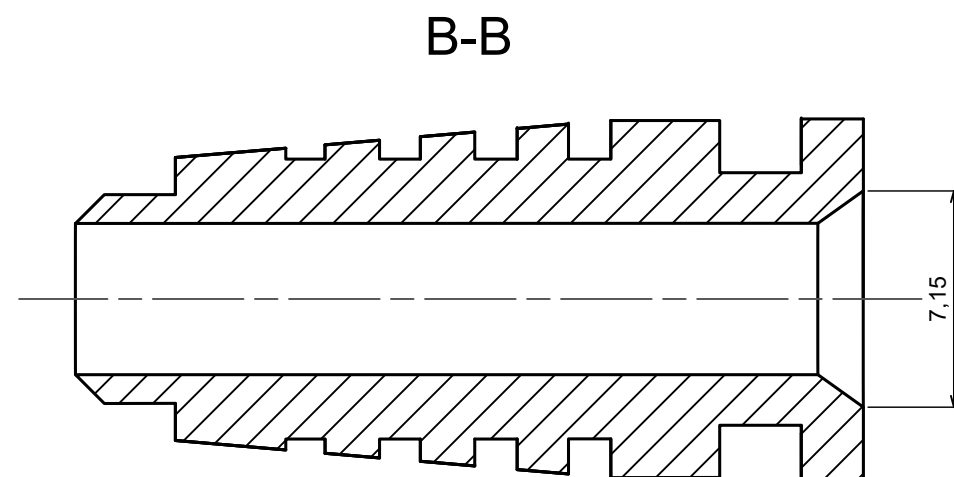
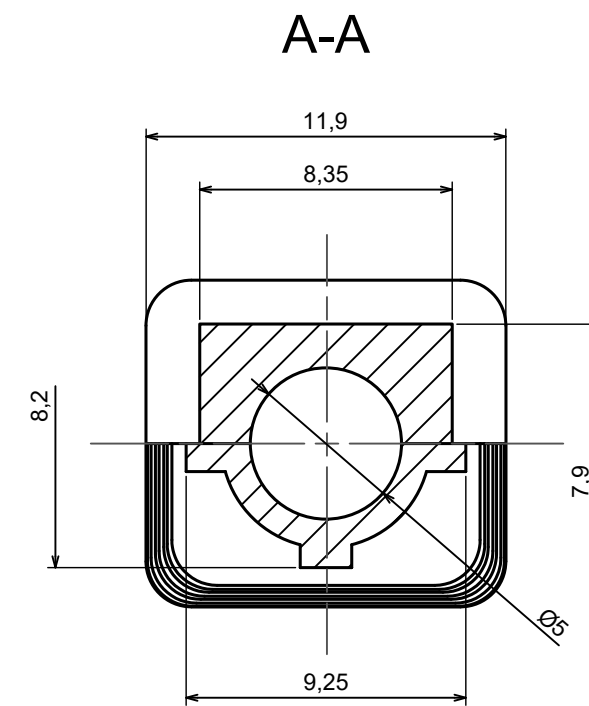
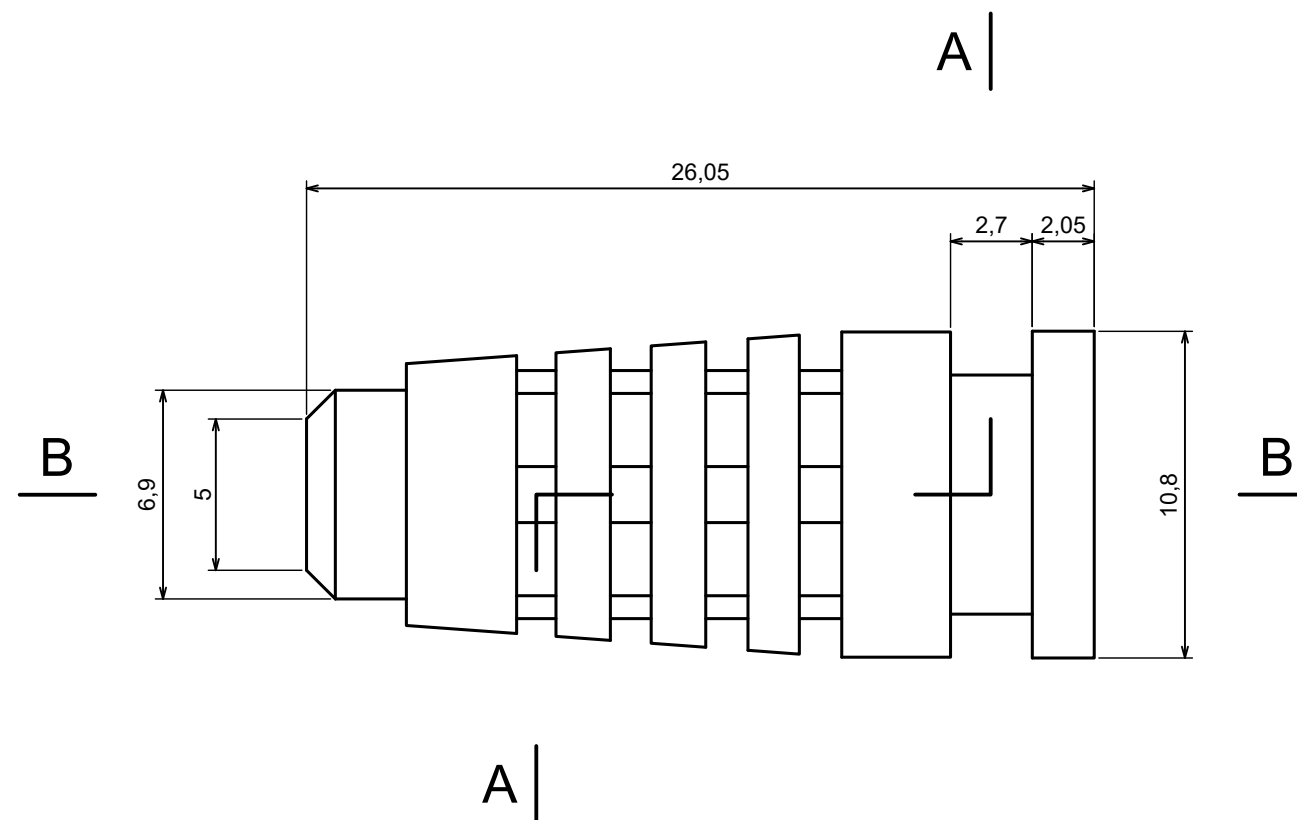



A |

A-A



| | | |
|--|--------------------|---|
| All rights reserved, Copyright Kradox 2023 | | |
| Product model | ZOBD CAP fi5 | |
| Format: A3 | Material: ABS |  |
| Scale 2:1 | Tolerance: +/- 0.5 | |



| | | |
|--|------------------------|---|
| All rights reserved, Copyright Kradex 2023 | | |
| Product model | ZOBD BendProtector fi5 | |
| Format: A3 | Material: ABS |  |
| Scale 2:1 | Tolerance: +/- 0.5 | |