

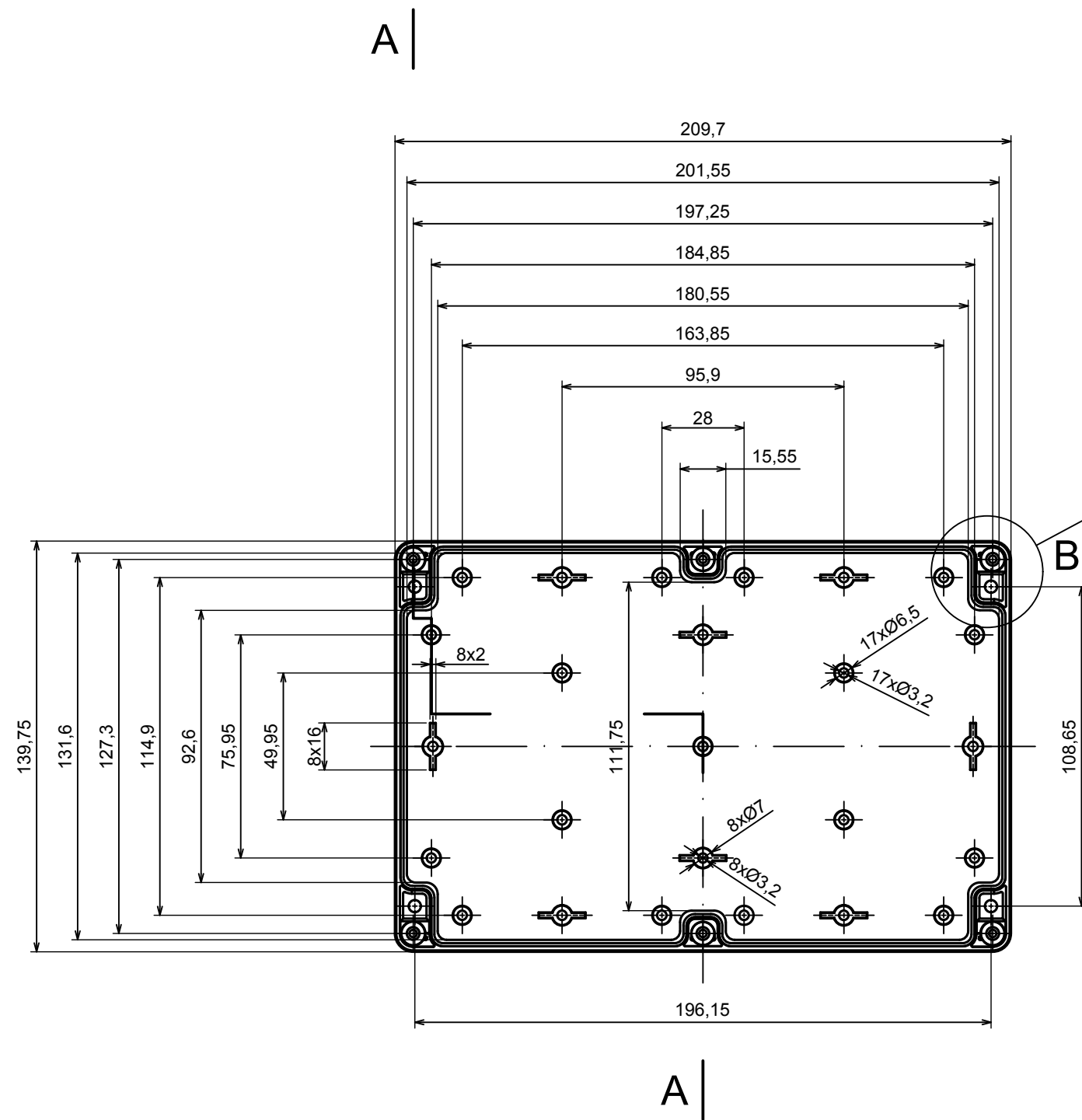
All rights reserved, Copyright Kradex 2022

Product model Enclosure ZP210.140.75SJ TM - Assembly

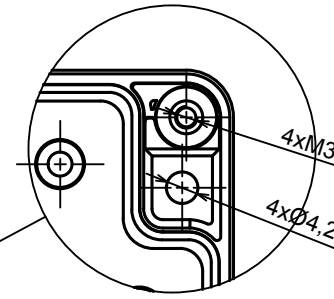
Format: A3 Material: PC, ABS

Scale 1:2 Tolerance: +/- 0.5

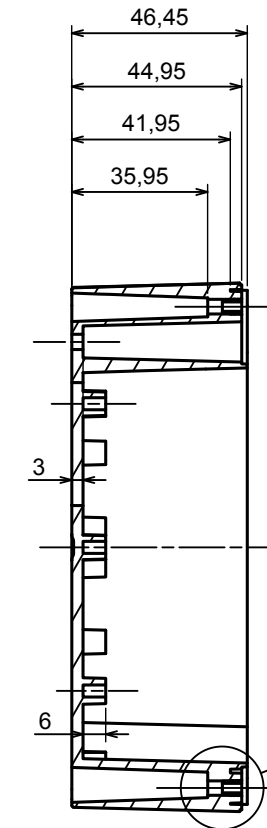




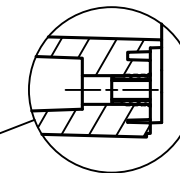
B (1:1)



A-A



C (1:1)



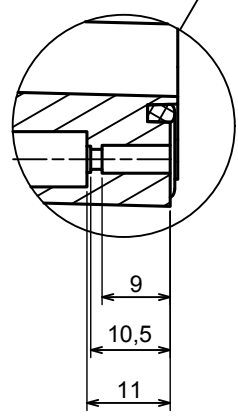
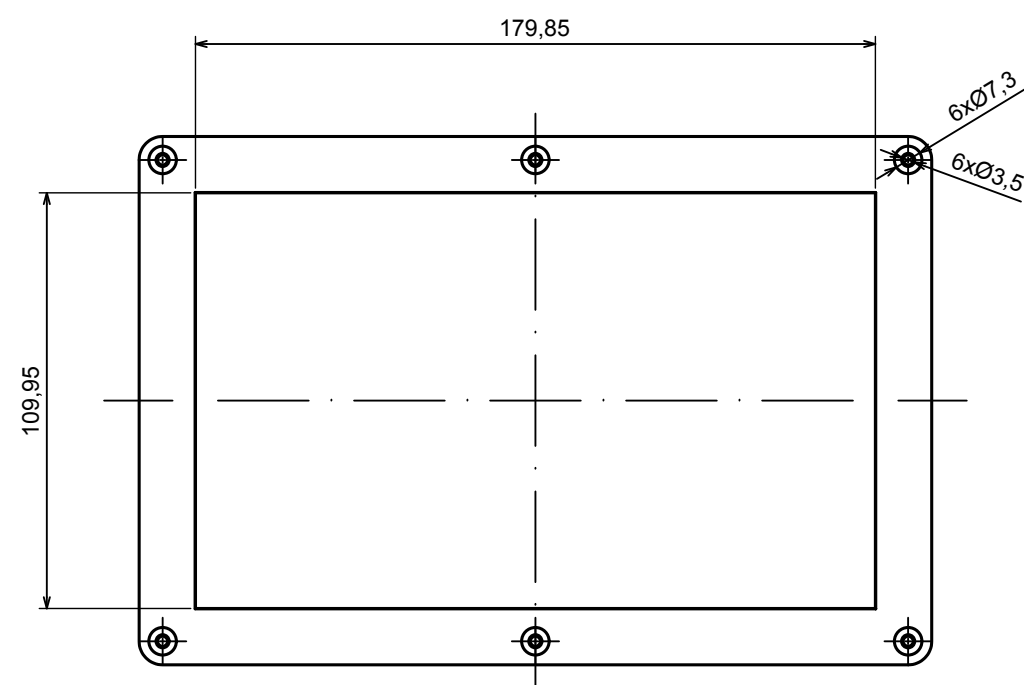
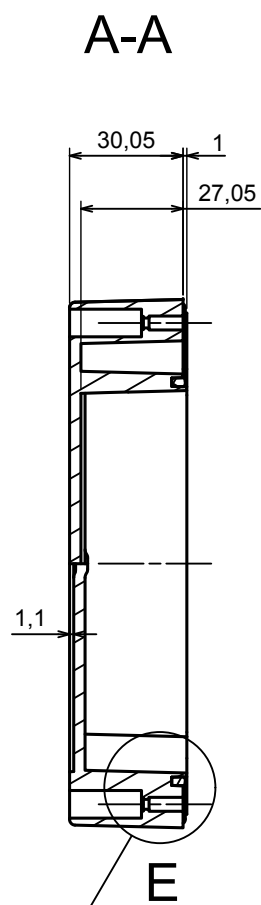
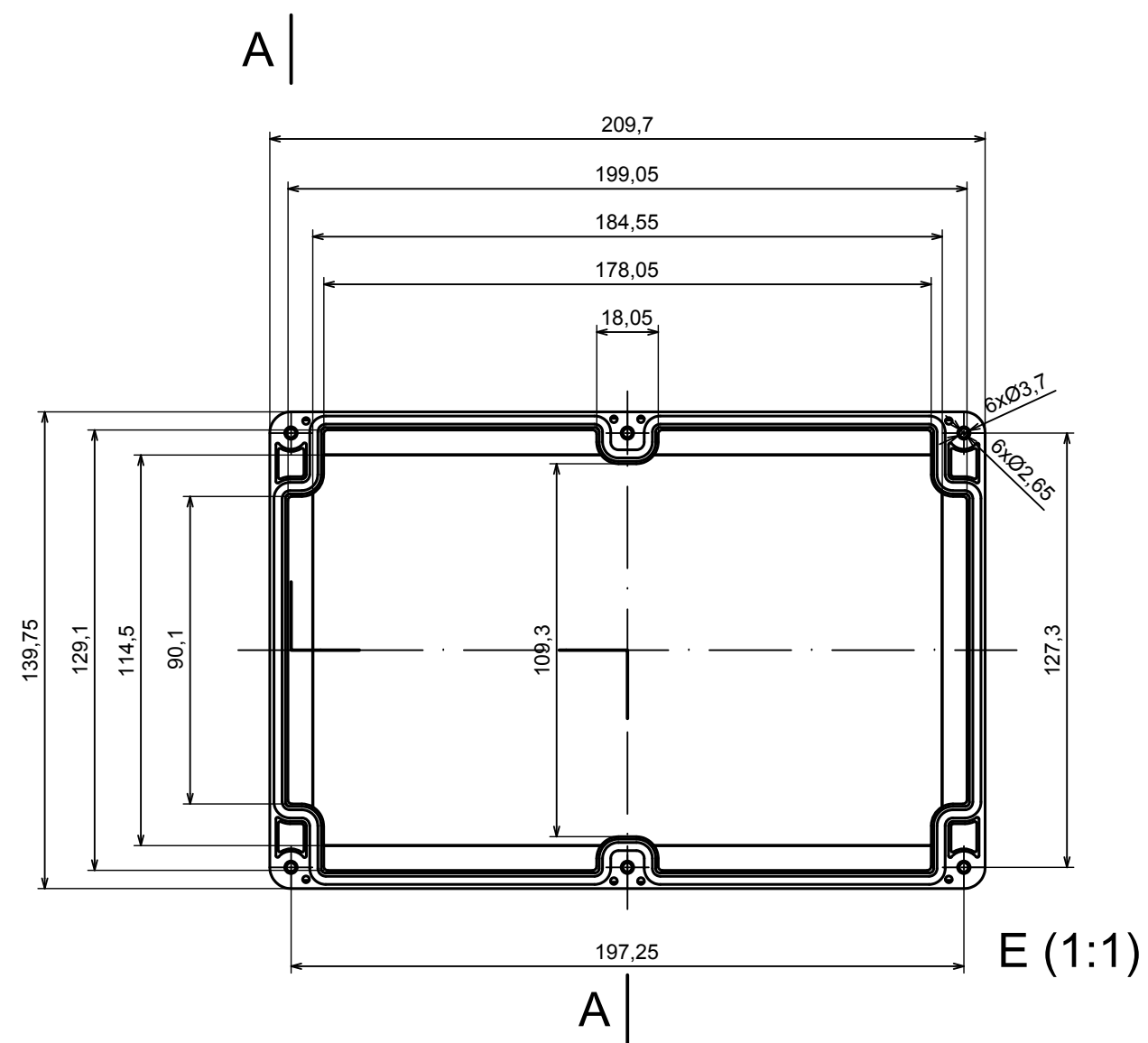
All rights reserved, Copyright Kradox 2022

Product model Enclosure ZP210.140.75SJ TM - Base ZP210.140.45 TM

Format: A3 Material: PC, ABS

Scale 1:2 Tolerance: +/- 0.5





All rights reserved, Copyright Kradex 2022	
Product model	Enclosure ZP210.140.75SJ TM - Cover ZP210.140.30SJ
Format: A3	Material: PC, ABS
Scale 1:2	Tolerance: +/- 0.5

