

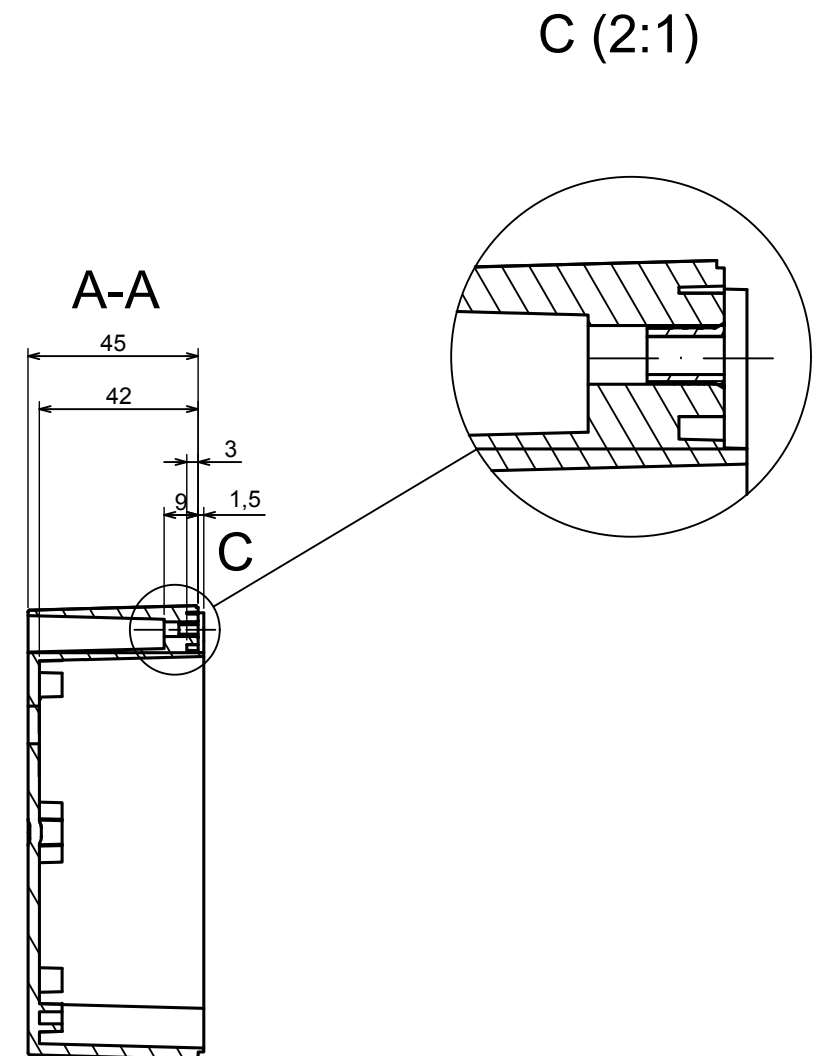
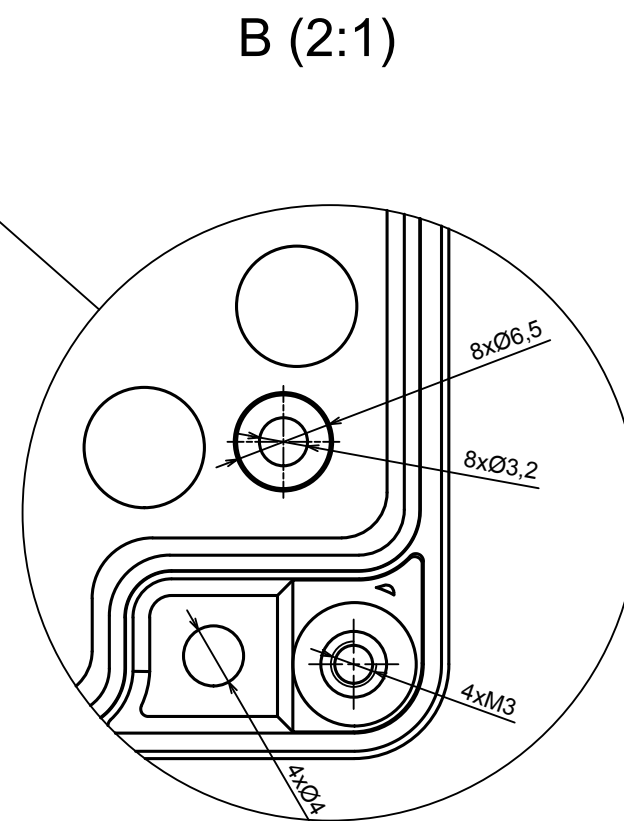
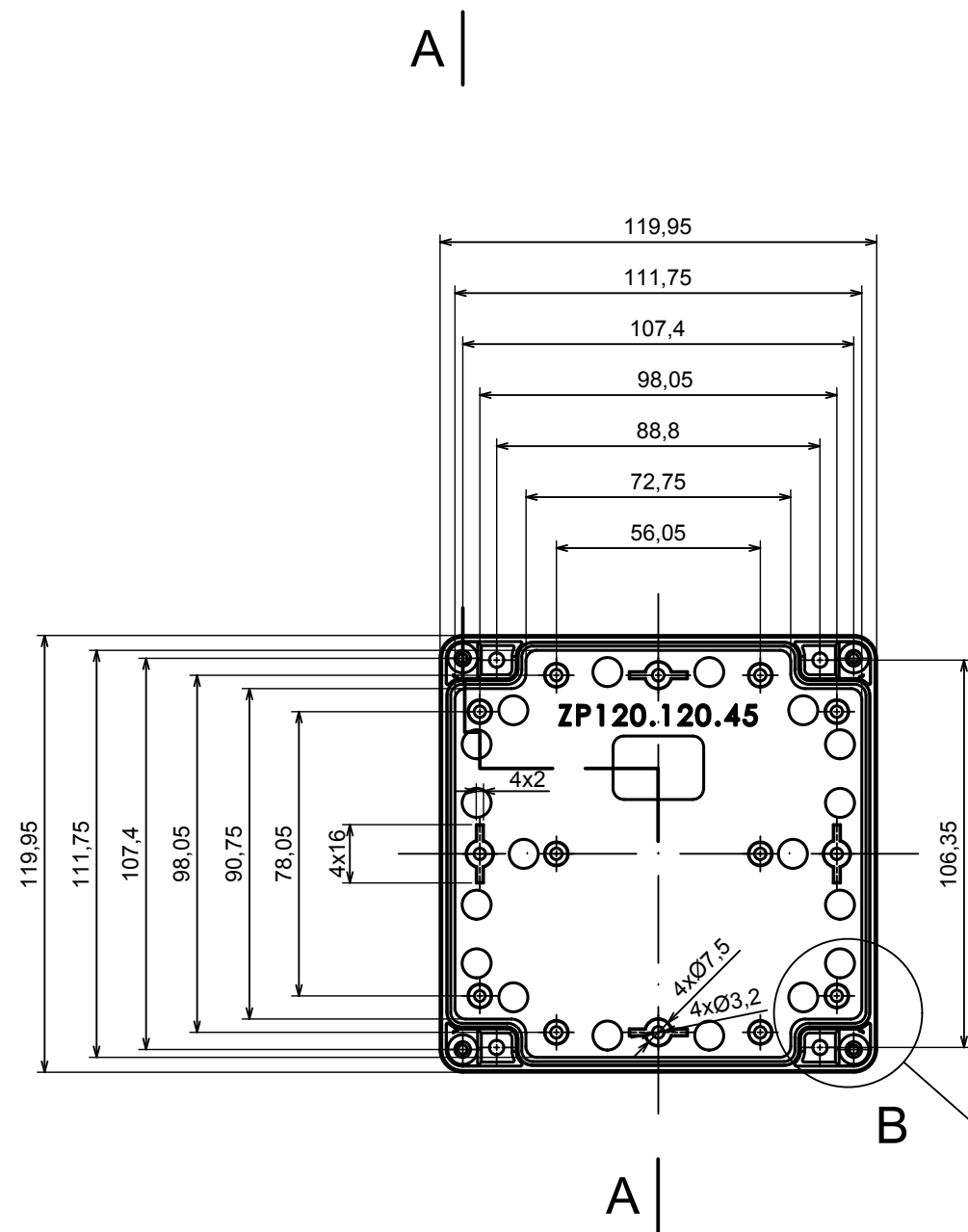
All rights reserved, Copyright Kradox 2022

Product model Enclosure ZP120.120.75S TM - Assembly

Format: A3 Material: PC, ABS

Scale 1:1 Tolerance: +/- 0.5





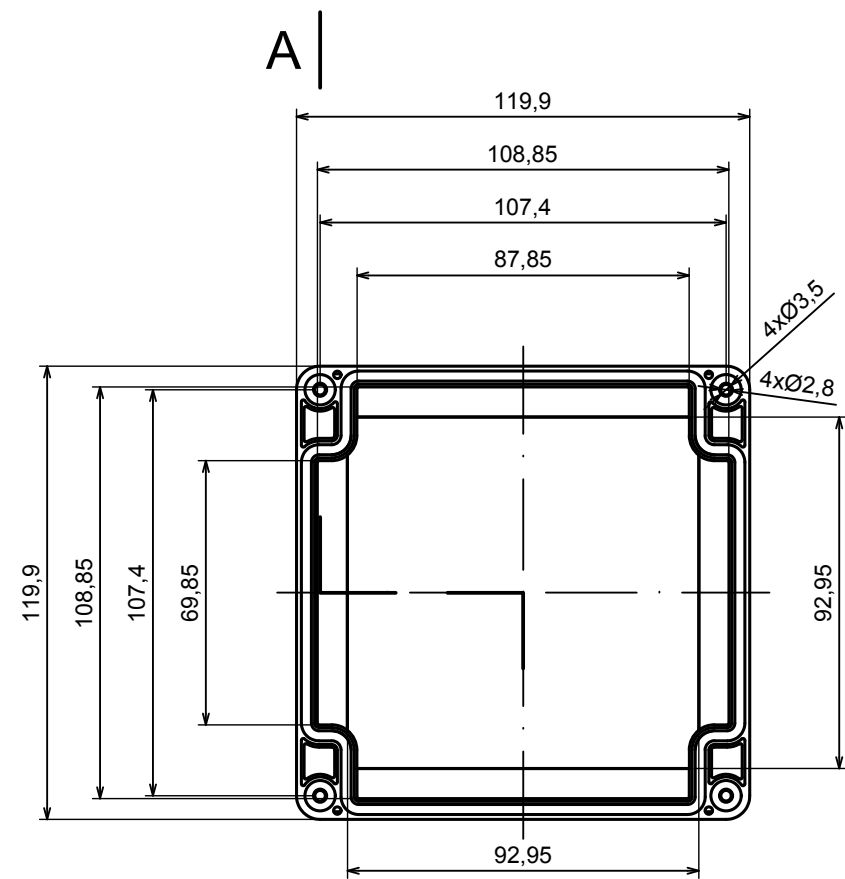
All rights reserved, Copyright Kradox 2022

Product model Enclosure Z120.120.75S TM - Base ZP120.120.45 TM

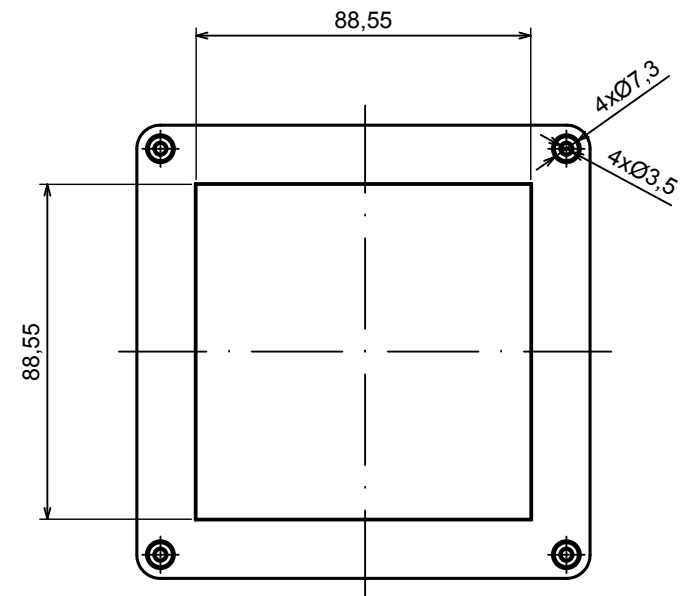
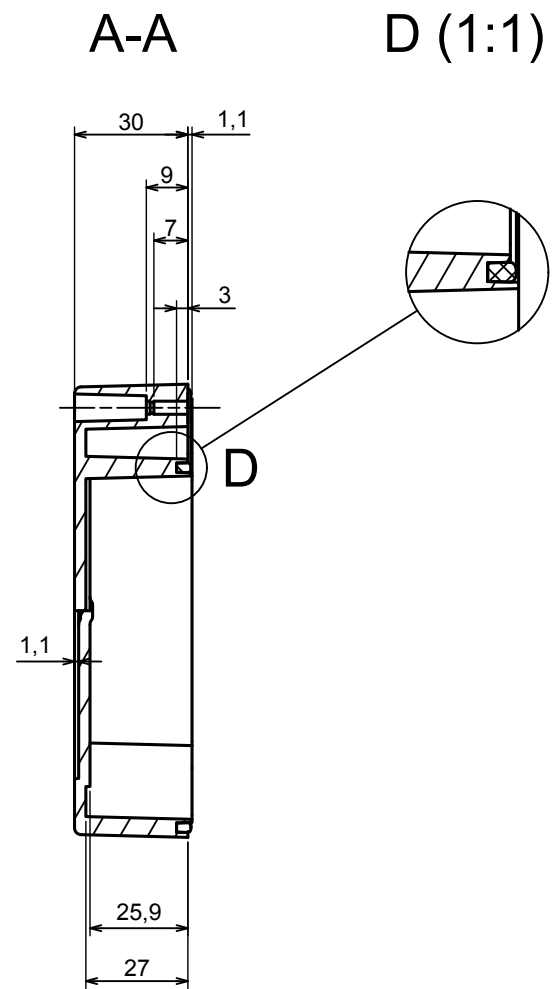
Format: A3 Material: PC, ABS

Scale 1:2 Tolerance: +/- 0.5





A |



All rights reserved, Copyright Kradox 2022

Product model Enclosure ZP120.120.75S TM - Cover ZP120.120.30S

Format: A3 Material: PC, ABS

Scale 1:2 Tolerance: +/- 0.5

