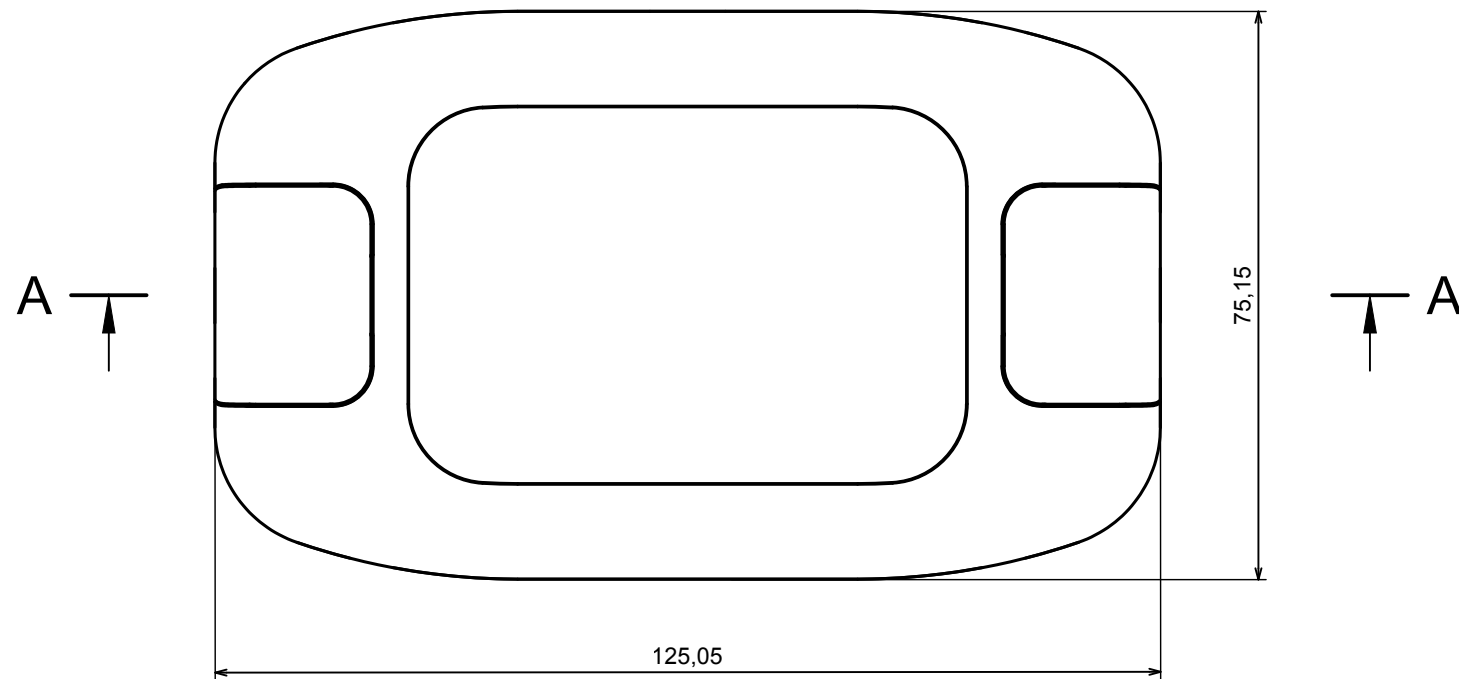
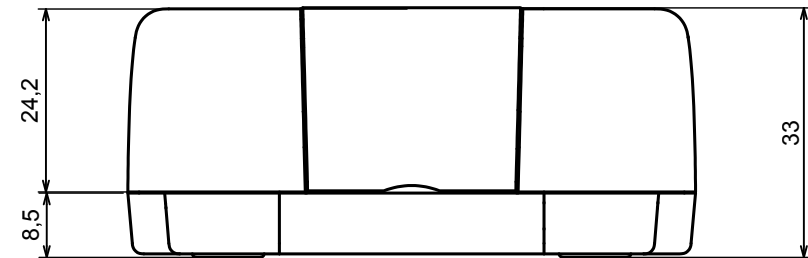
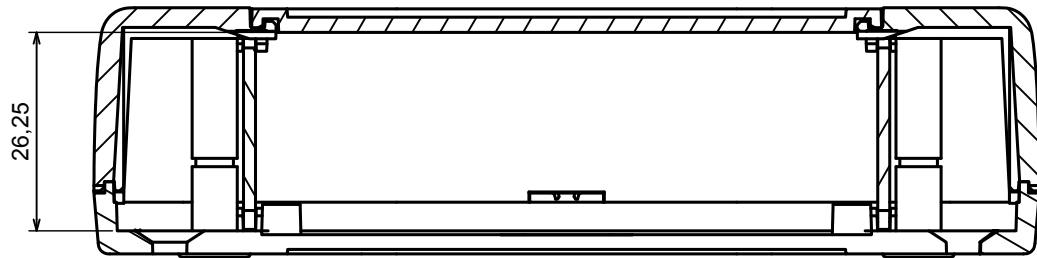


A-A



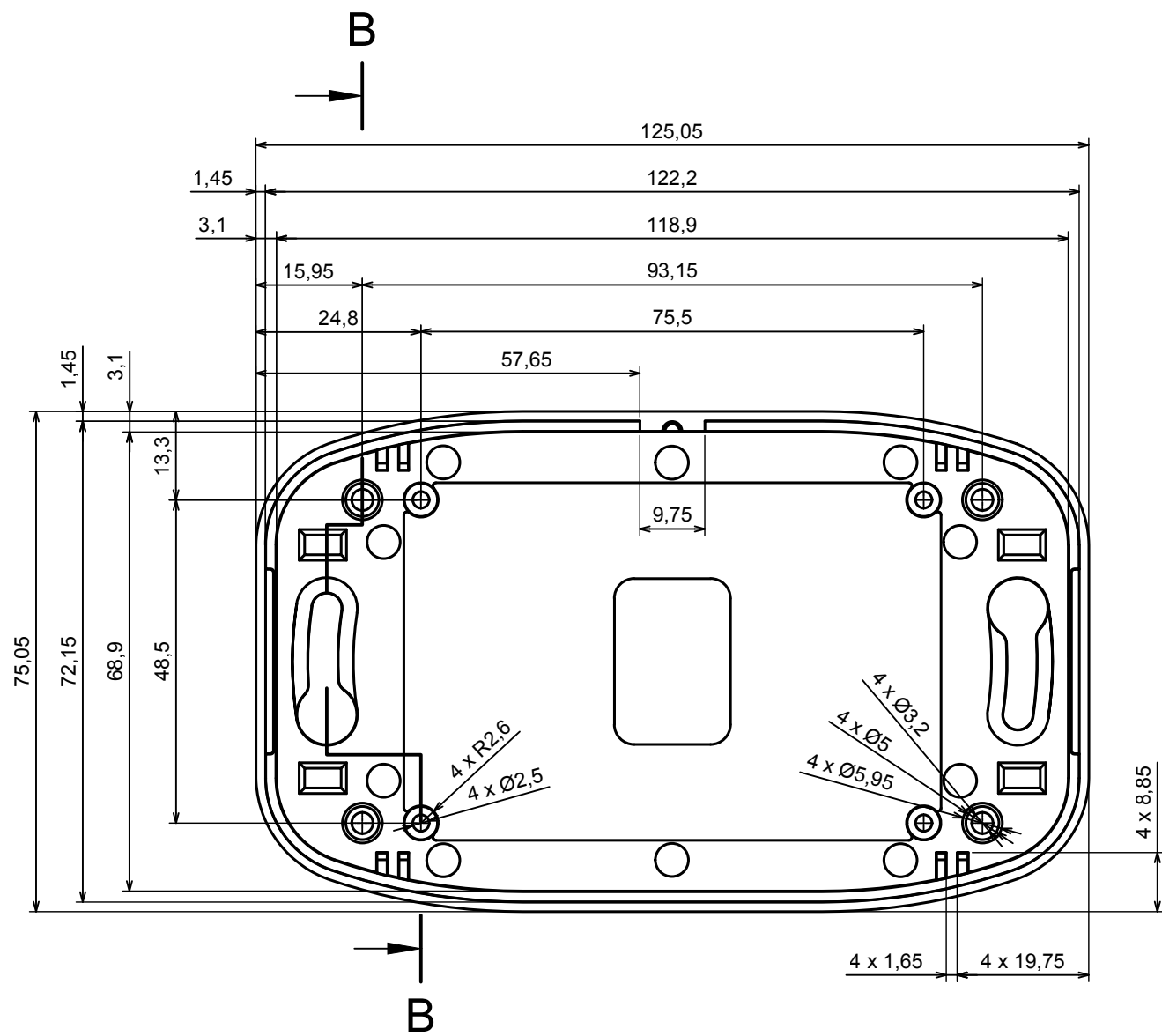
All rights reserved. Copyright Kradex 2021

Product model Enclosure ZM125.75.33 - Assembly

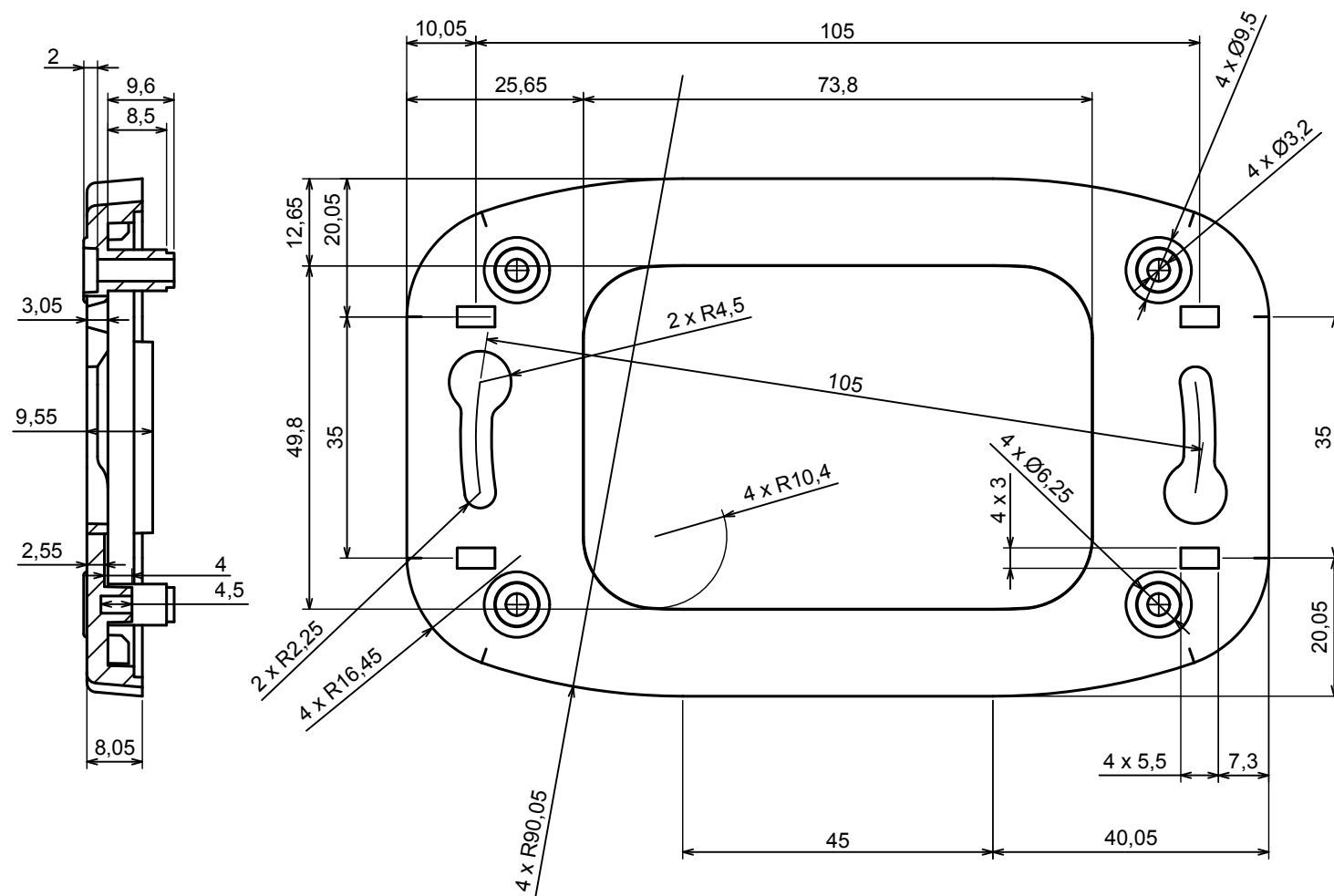
Format: A3 Material: ABS

Scale 1:1 Tolerance: +/- 0,3





B-B



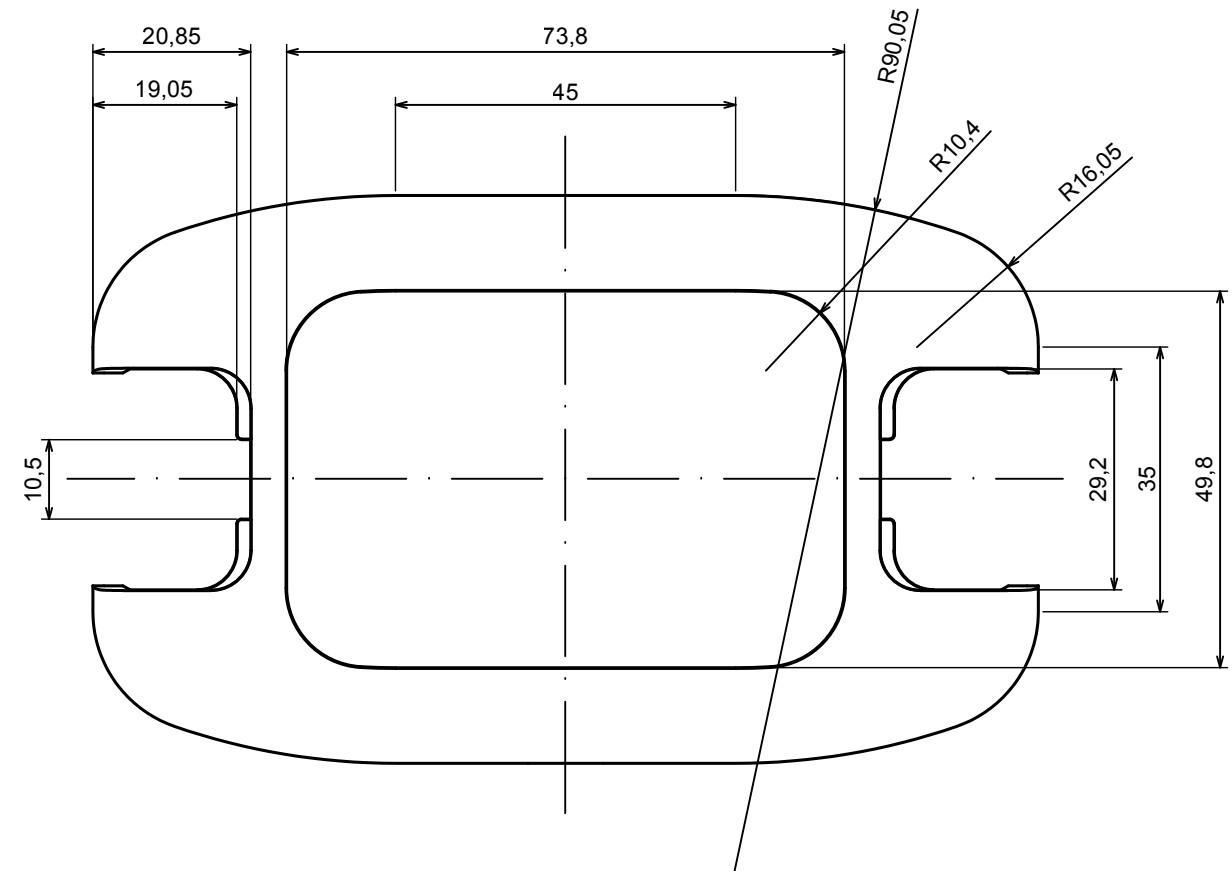
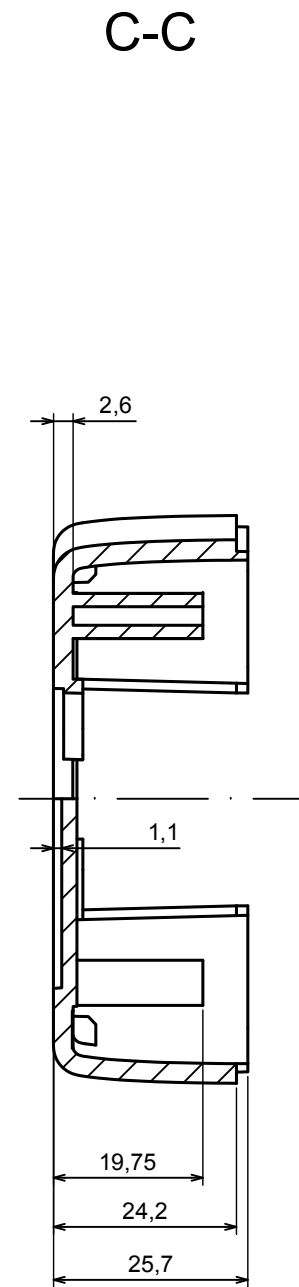
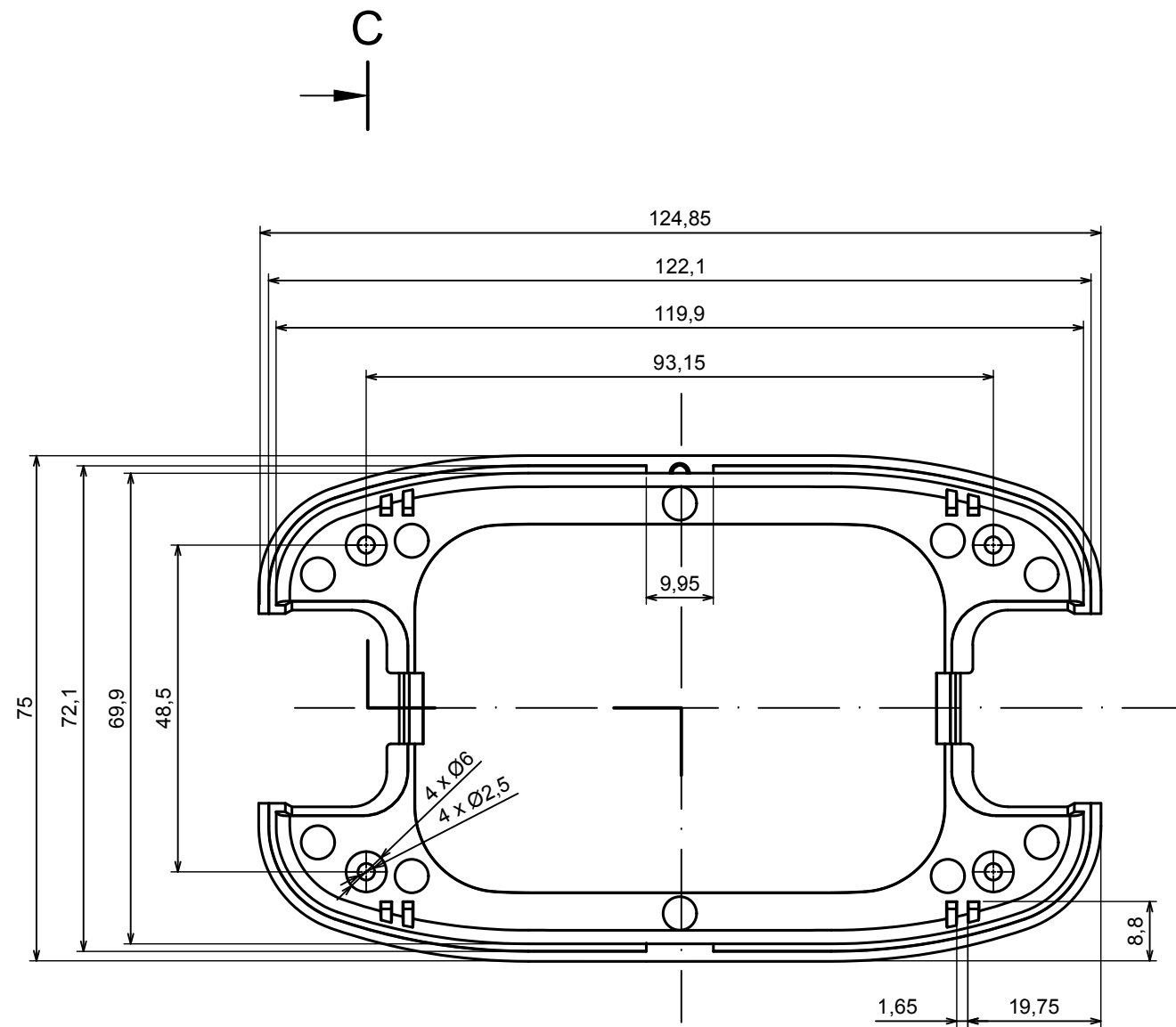
All rights reserved. Copyright Kradox 2021

Product model Enclosure ZM125.75.33 - Base

Format: A3 Material: ABS

Scale 1:1 Tolerance: +/- 0,3





C

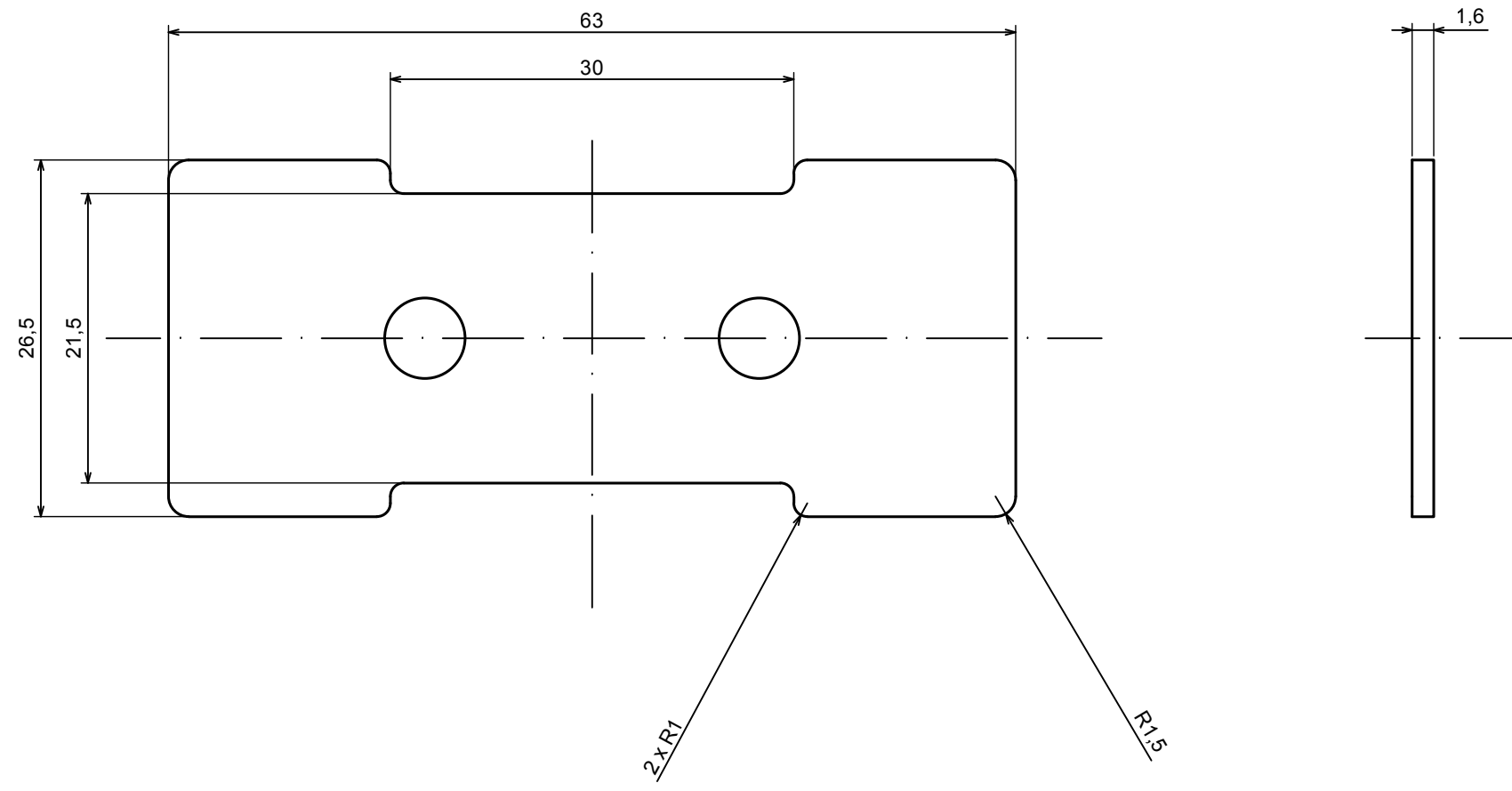
All rights reserved. Copyright Kradox 2021


Product model Enclosure ZM125.75.33 - Cover

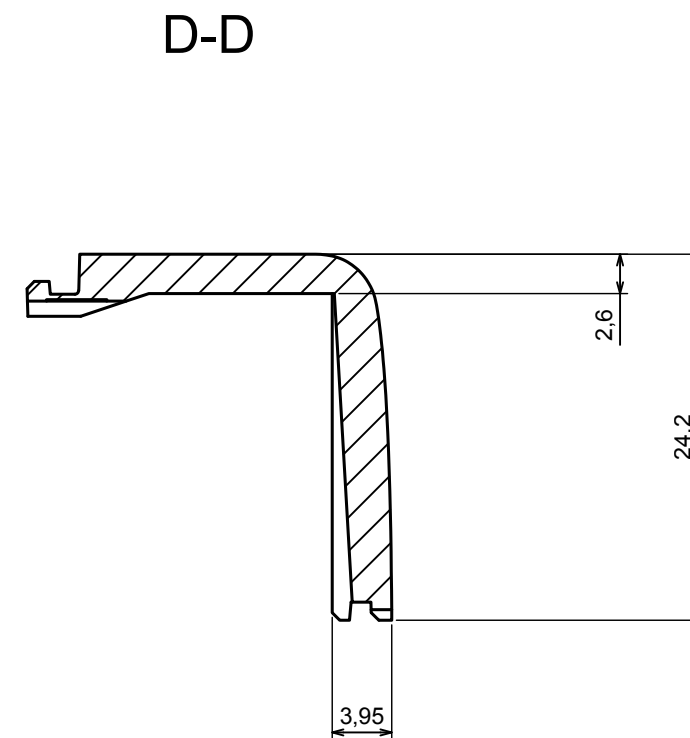
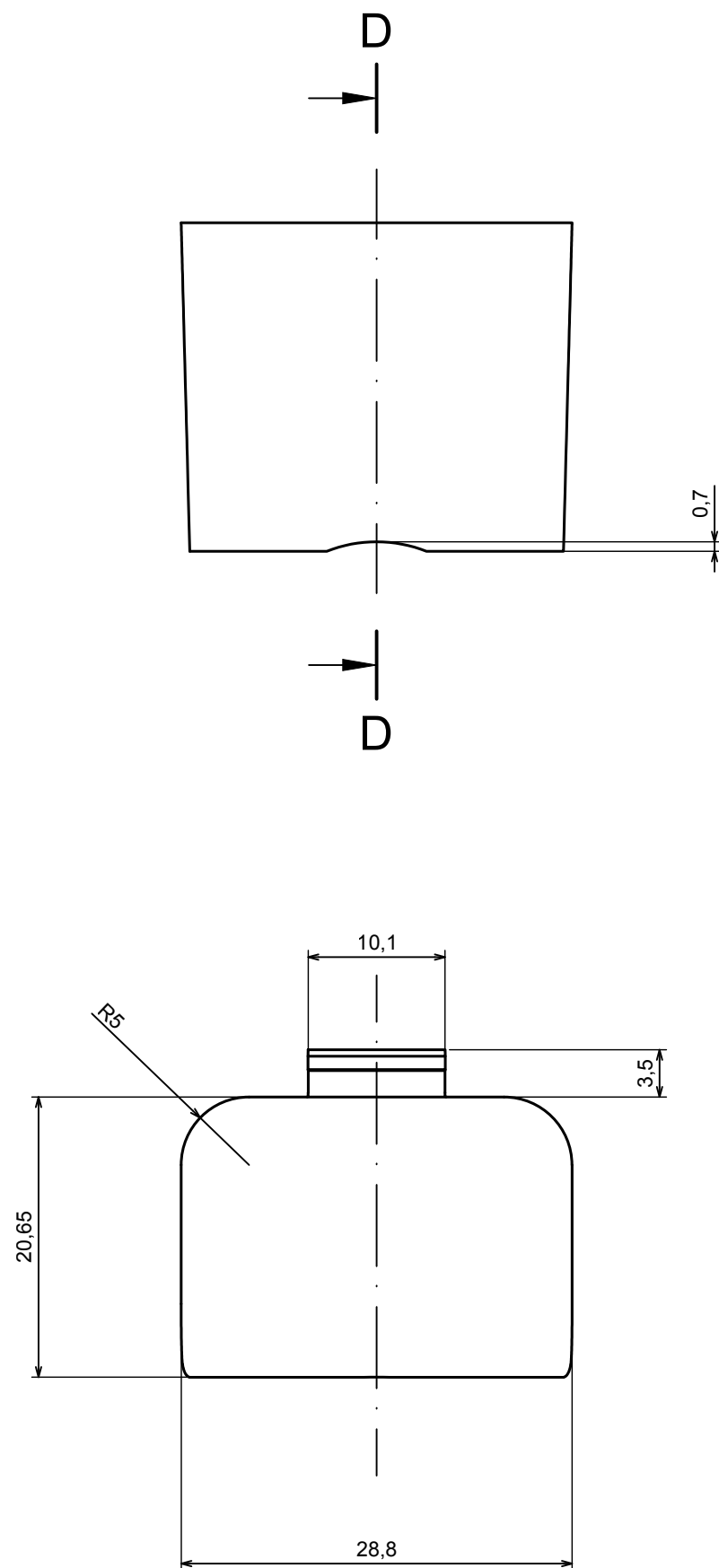
Format: A3 Material: ABS

Scale 1:1 Tolerance: +/- 0,3





All rights reserved. Copyright Kradox 2021		
Product model	Enclosure ZM125.75.33 - Partition Plate	
Format: A3	Material: ABS	
Scale 2:1	Tolerance: +/- 0,3	



All rights reserved. Copyright Kradex 2021

Product model Enclosure ZM125.75.33 - Cap

Format: A3 Material: ABS

Scale 2:1 Tolerance: +/- 0,3

