

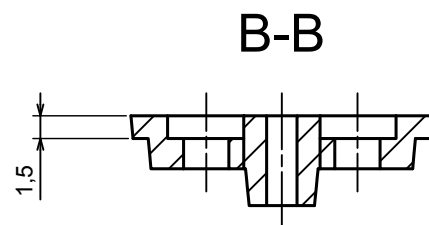
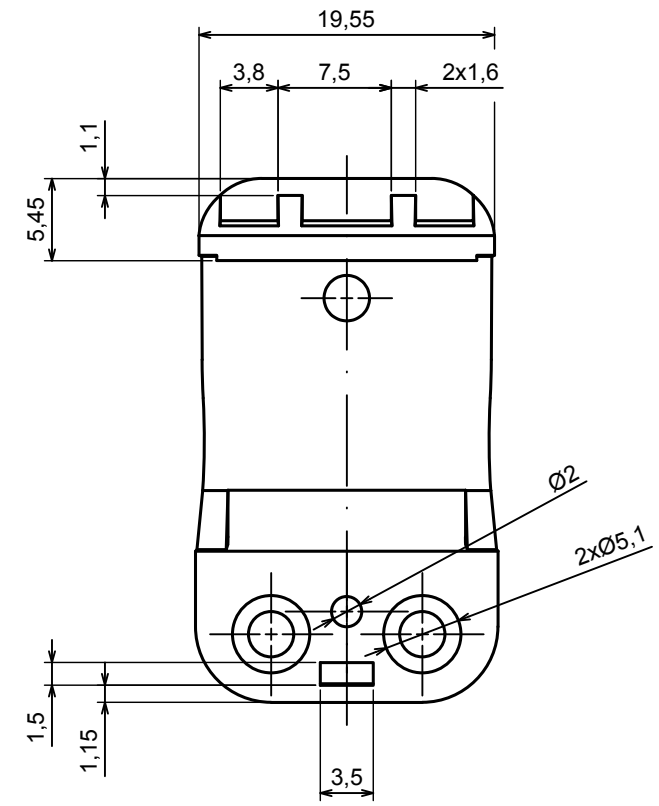
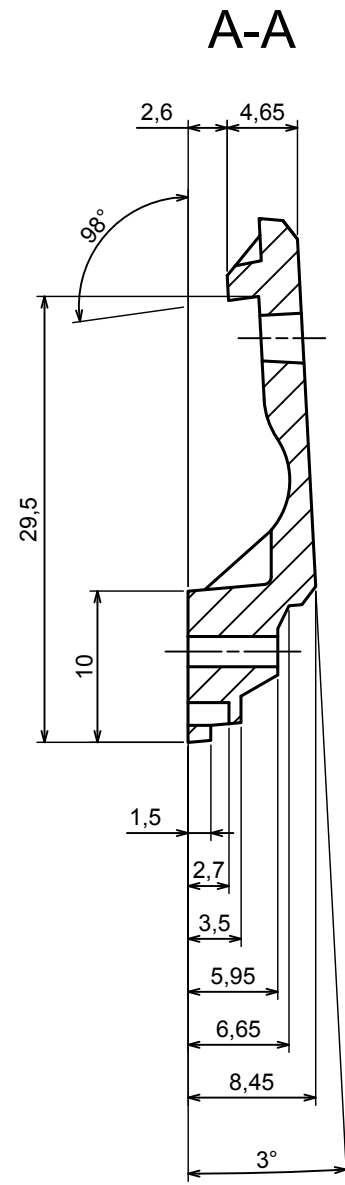
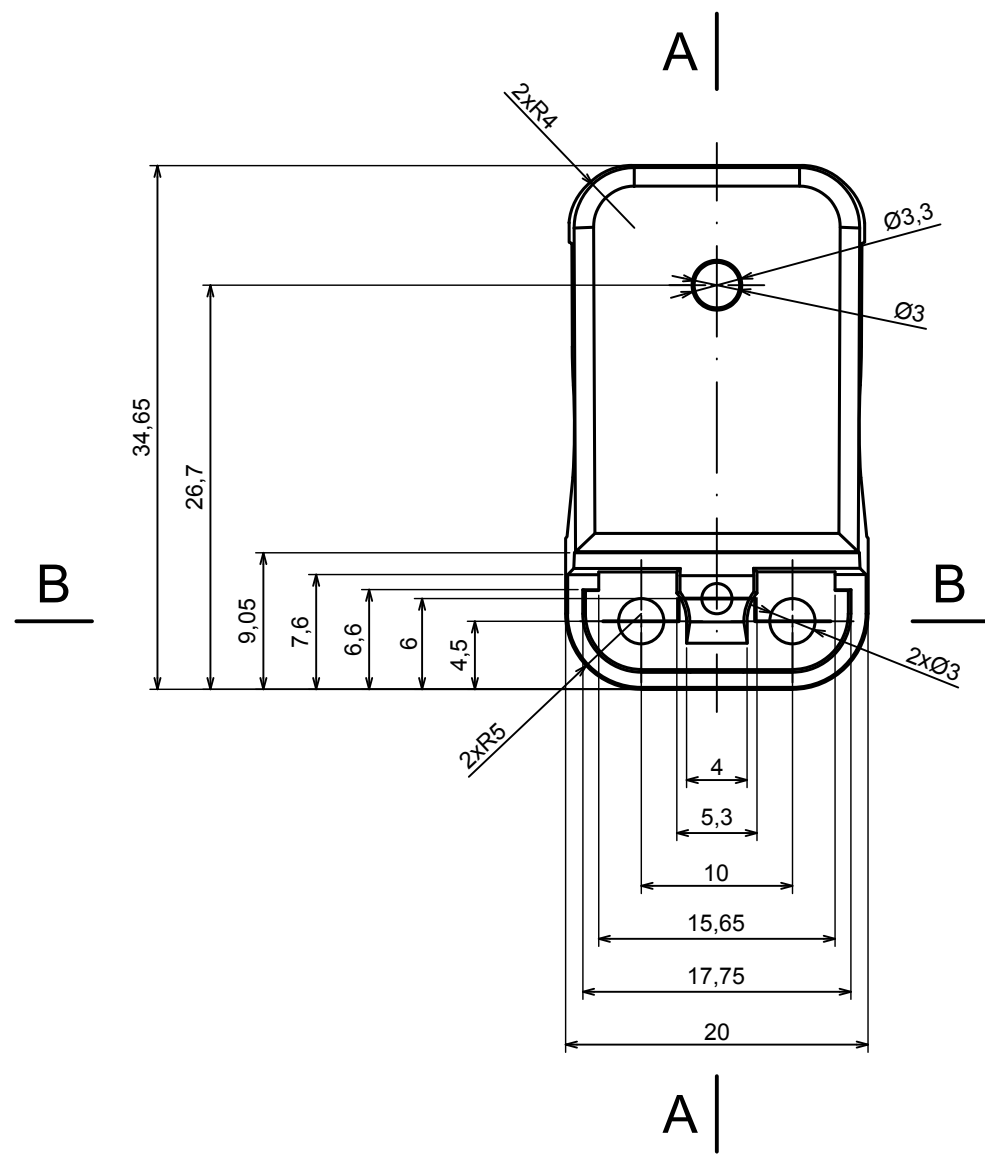
All rights reserved, Copyright Kradex 2020


Product model ZLATCH20 - Assembly

Format: A3 Material: PC, ABS

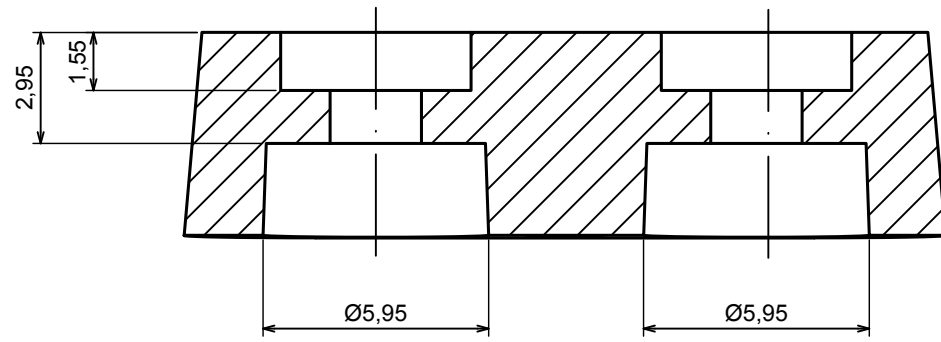
Scale 2:1 Tolerance: +/- 0.5



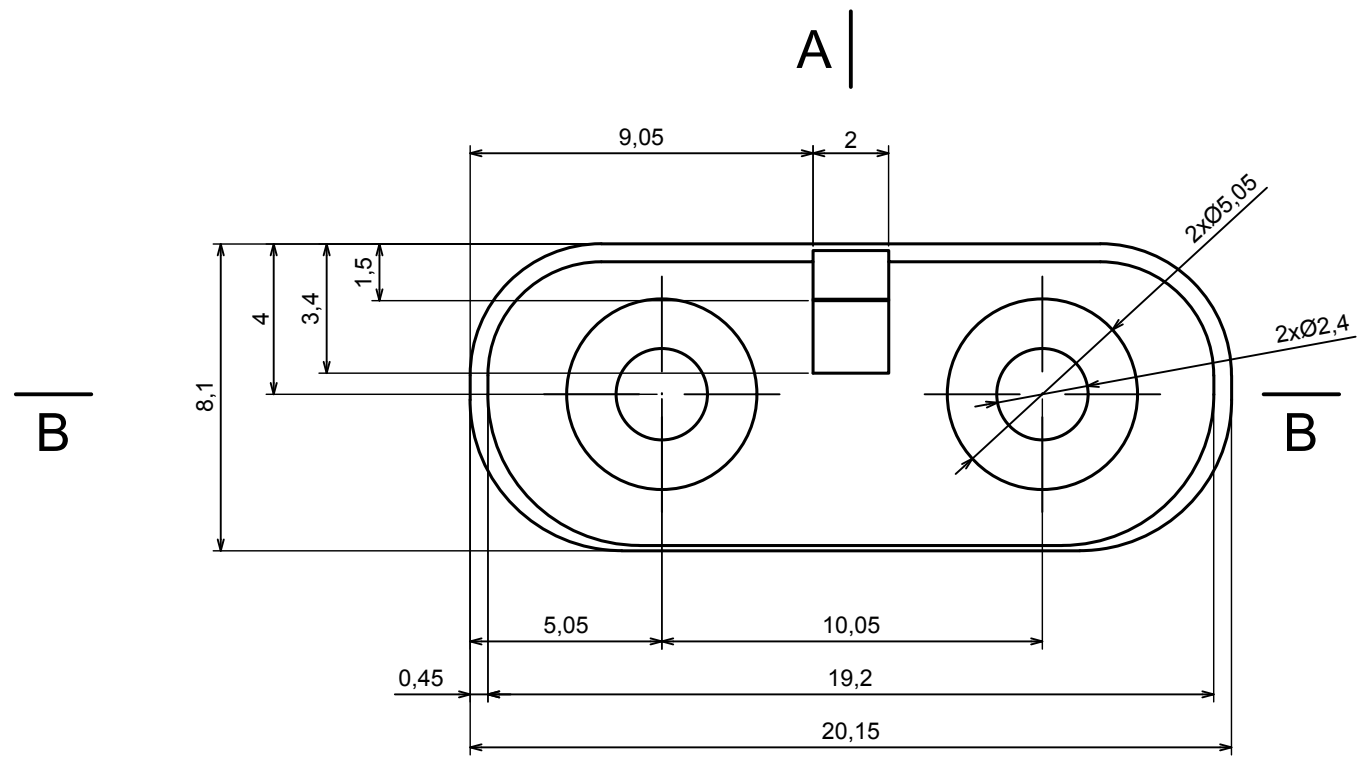


|  |                    |   |
|--|--------------------|---|
| All rights reserved, Copyright Kradex 2020 |                    |  |
| Product model                              | ZLATCH20 - Latch   |   |
| Format: A3                                 | Material: PC, ABS  |   |
| Scale 2:1                                  | Tolerance: +/- 0.5 |   |

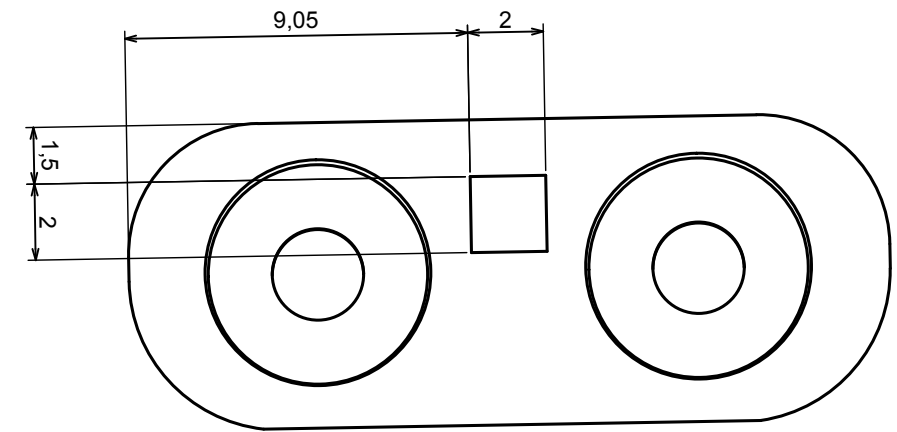
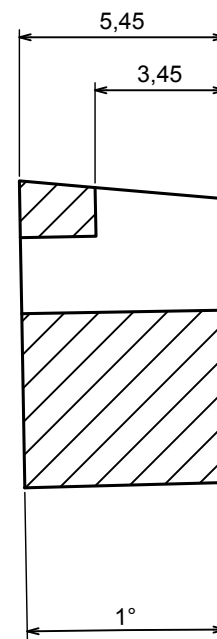
A-A



A |



A-A



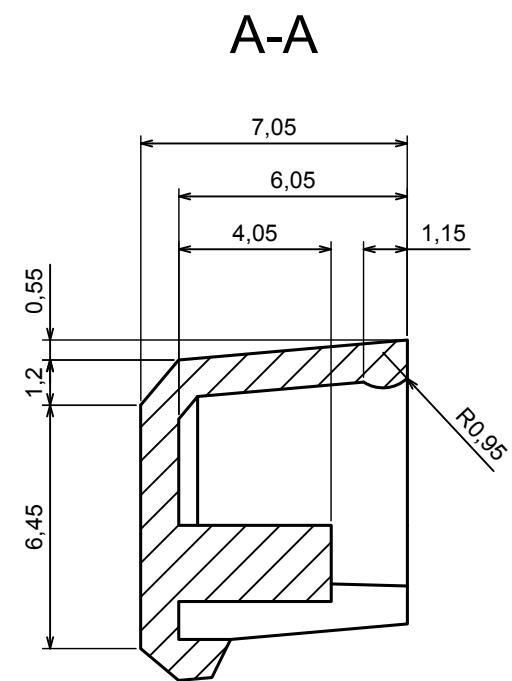
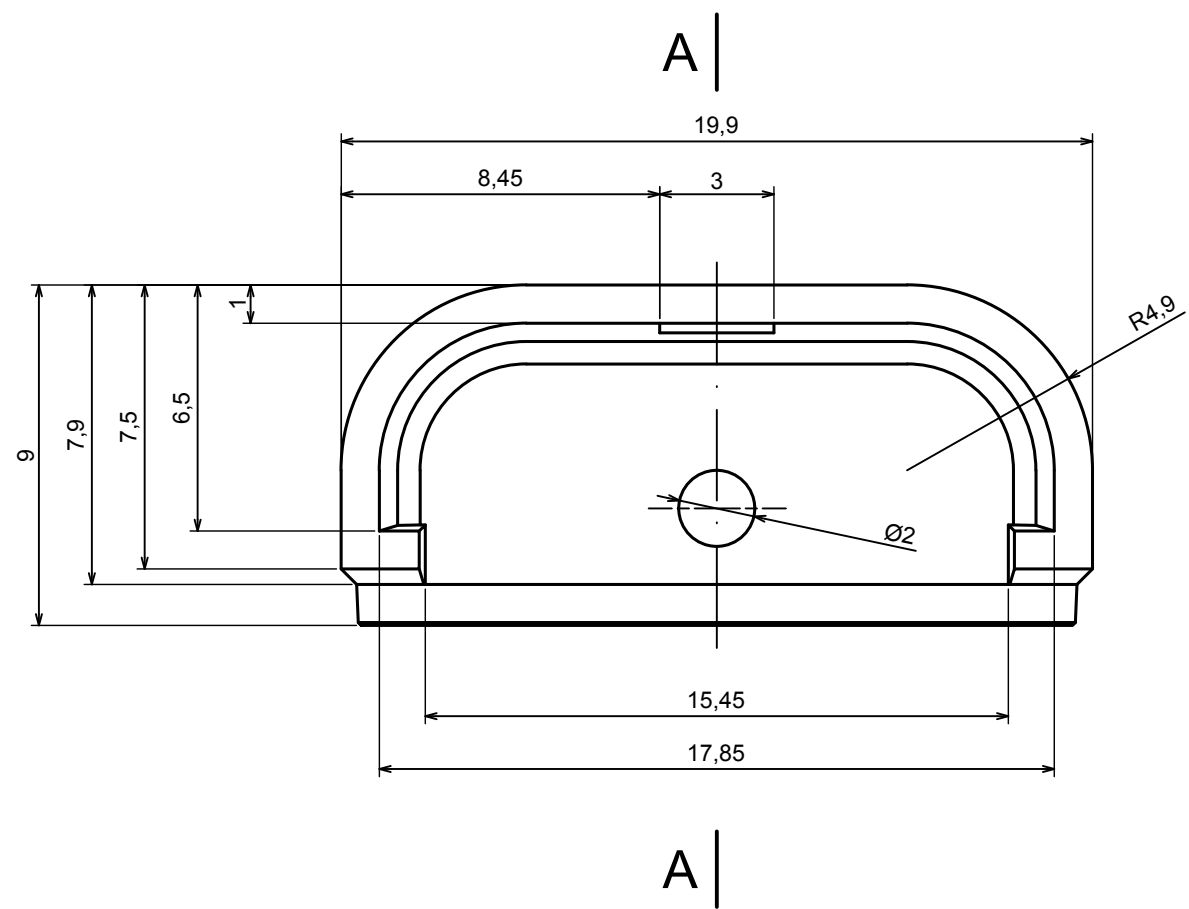
All rights reserved, Copyright Kradox 2020

Product model ZLATCH20 - Lock

Format: A3 Material: PC, ABS

Scale 5:1 Tolerance: +/- 0.5





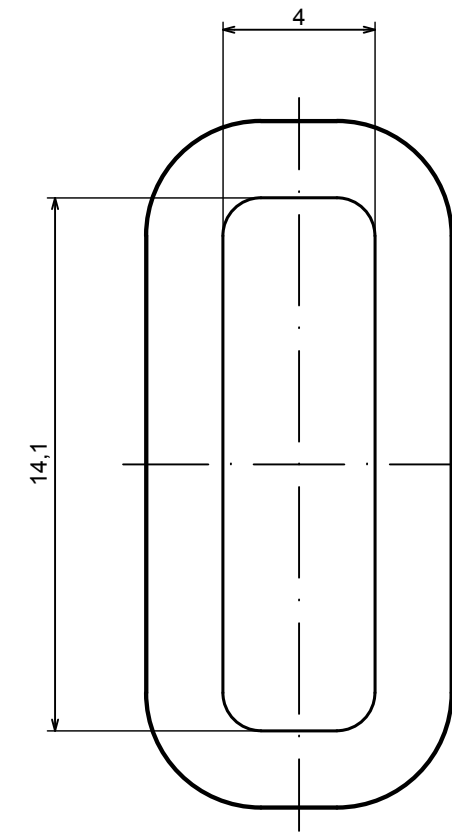
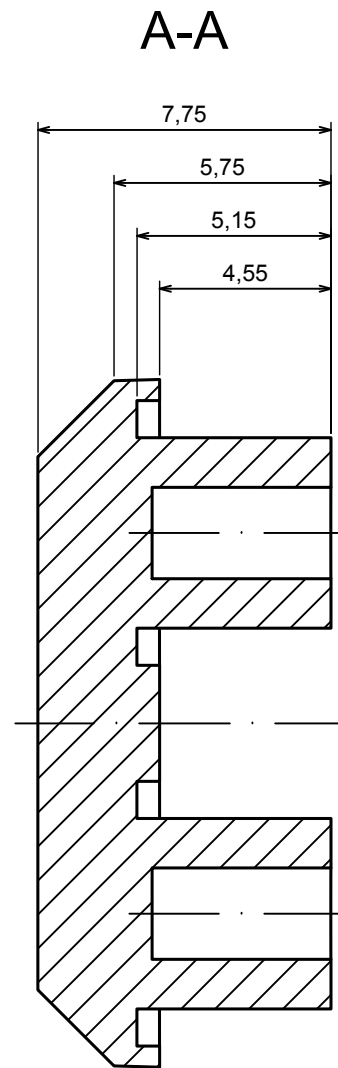
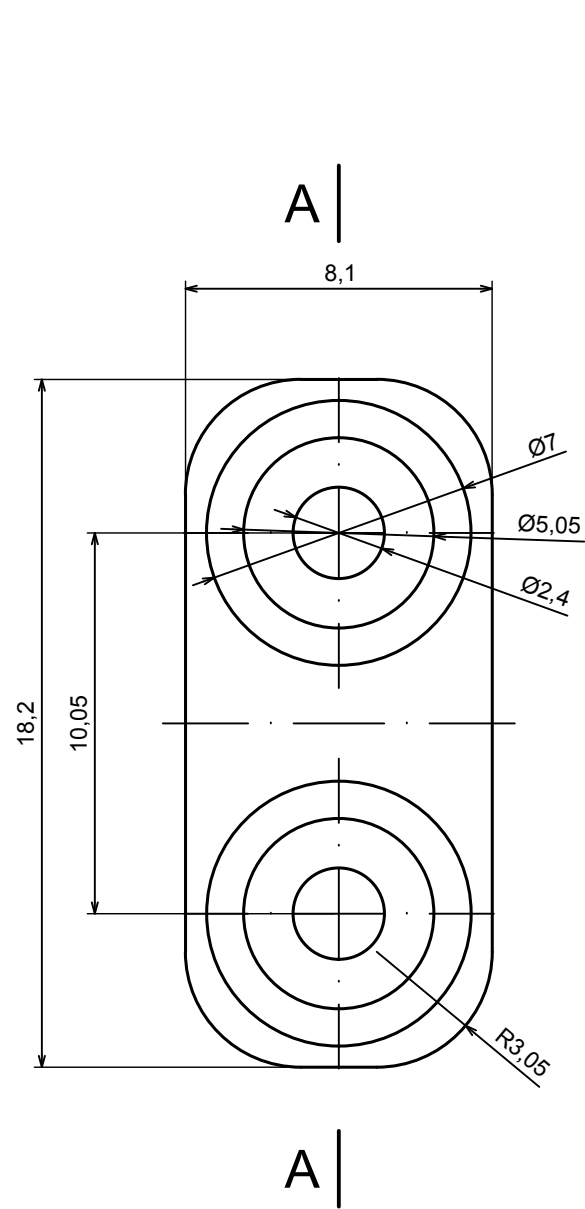
All rights reserved, Copyright Kradox 2020

Product model ZLATCH20 - Cover

Format: A3 Material: PC, ABS

Scale 5:1 Tolerance: +/- 0.5





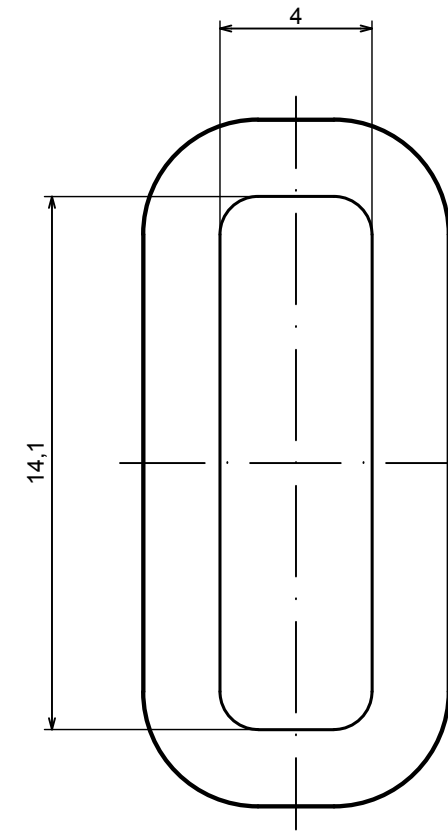
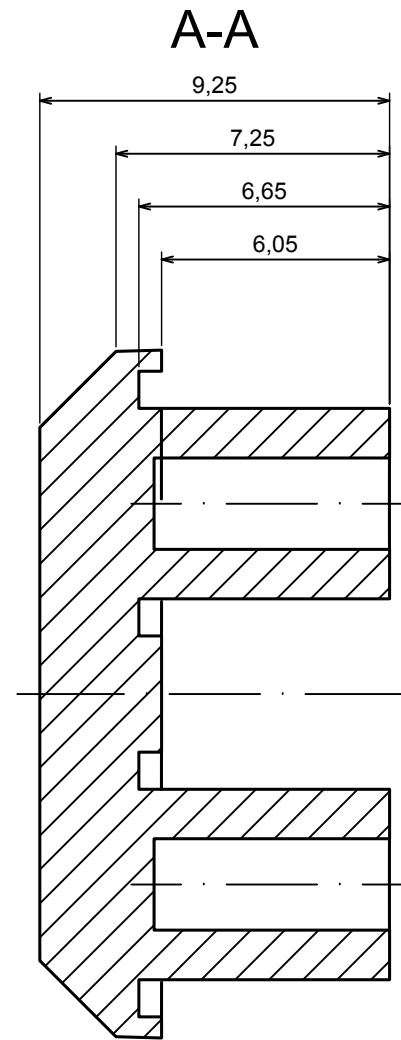
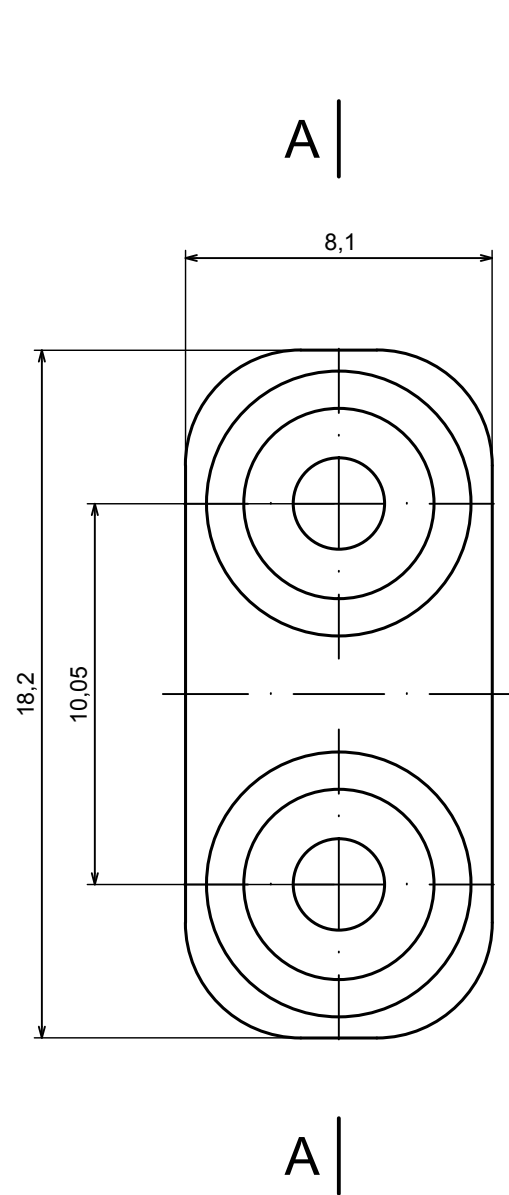
All rights reserved, Copyright Kradox 2020

Product model ZLATCH20 - Mount A

Format: A3 Material: PC, ABS

Scale 5:1 Tolerance: +/- 0.5





All rights reserved, Copyright Kradox 2019

Product model ZLATCH20 - Mount B

Format: A3 Material: PC, ABS

Scale 5:1 Tolerance: +/- 0.5

