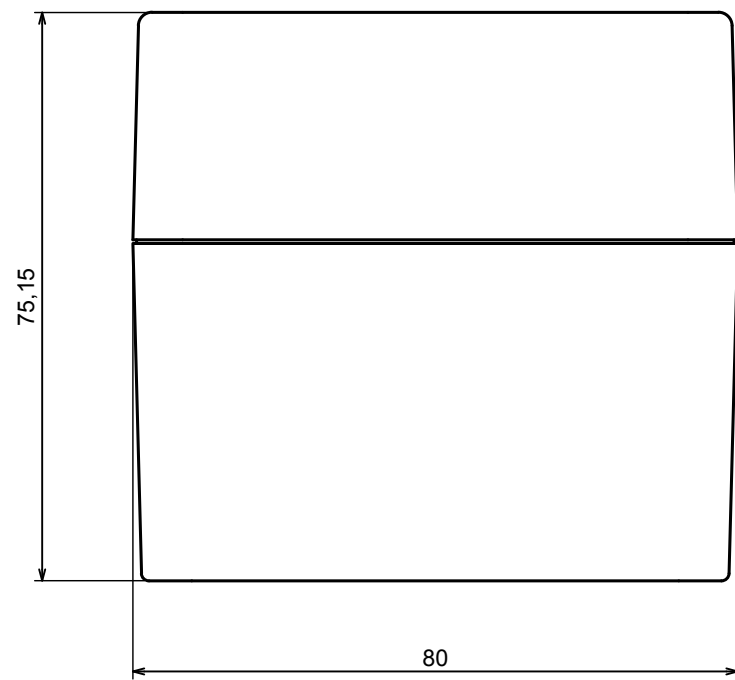
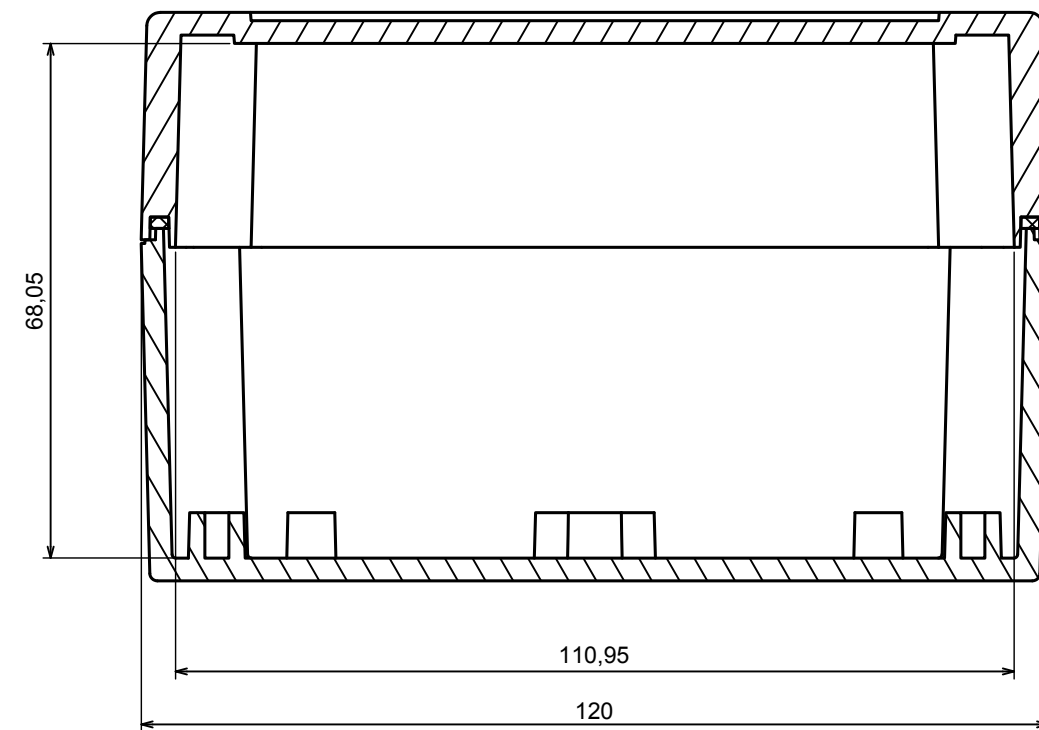


A |



A |

A-A



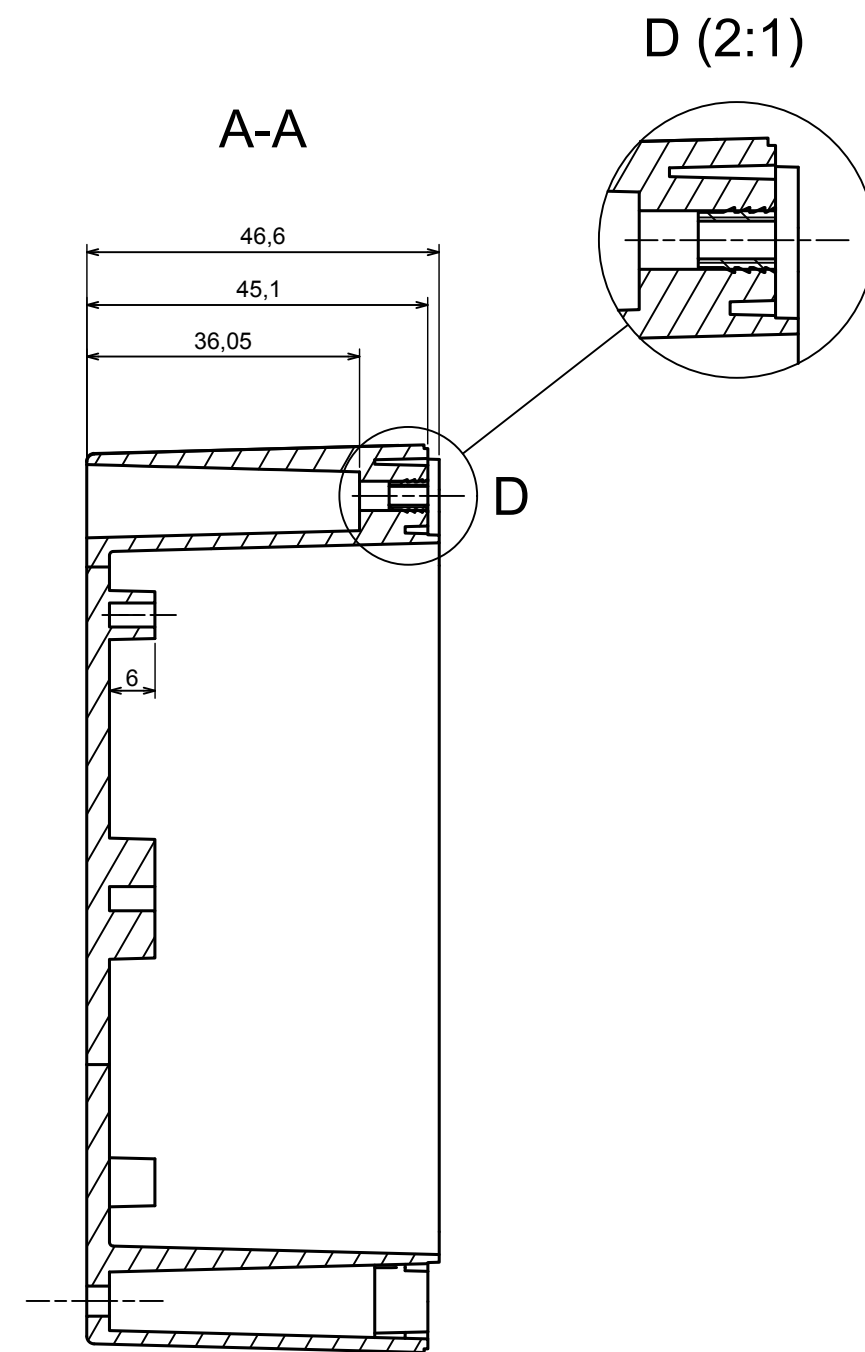
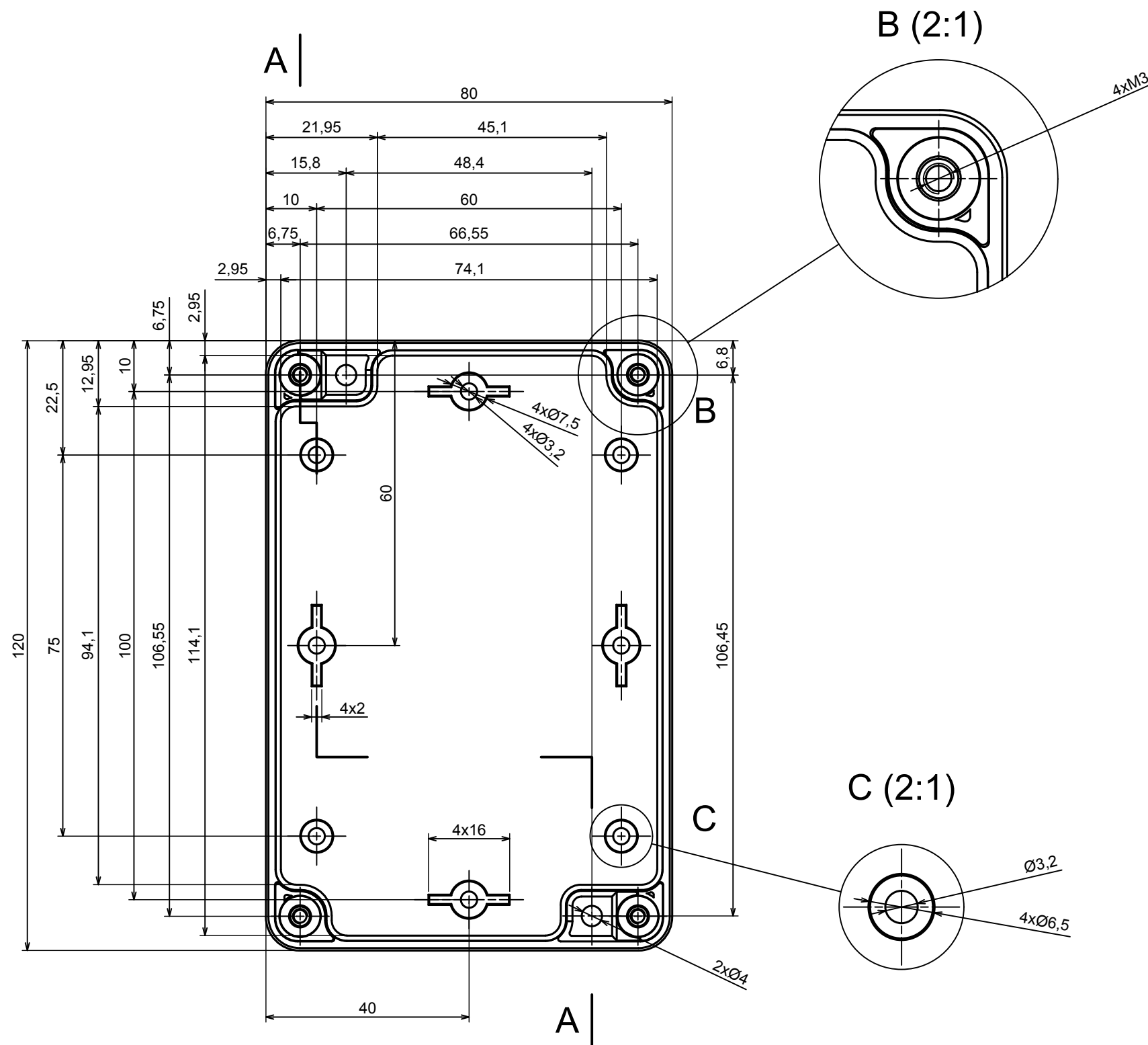
All rights reserved, Copyright Kradox 2019

Product model Enclosure ZP120.80.75S TM - Assembly

Format: A3 Material: PC, ABS

Scale 1:1 Tolerance: +/- 0.5





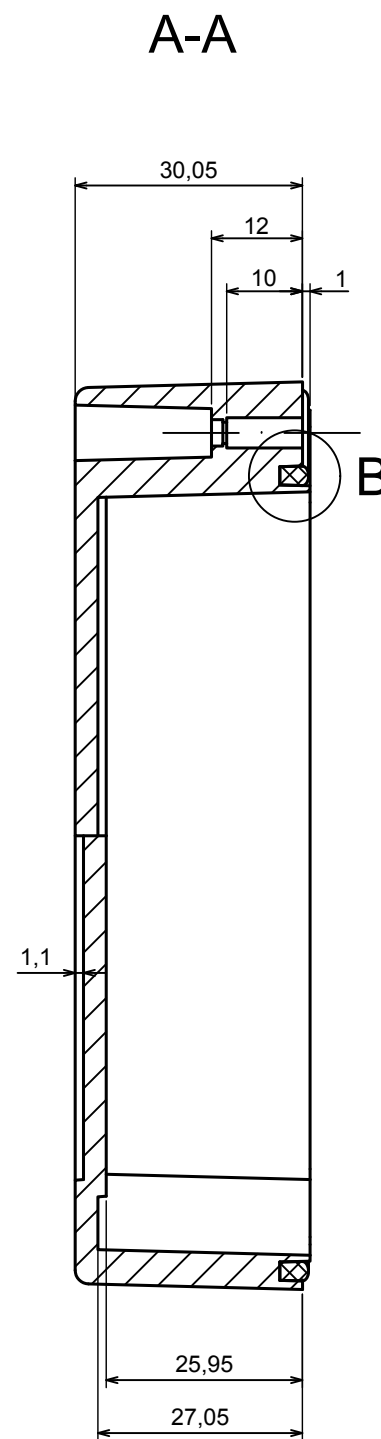
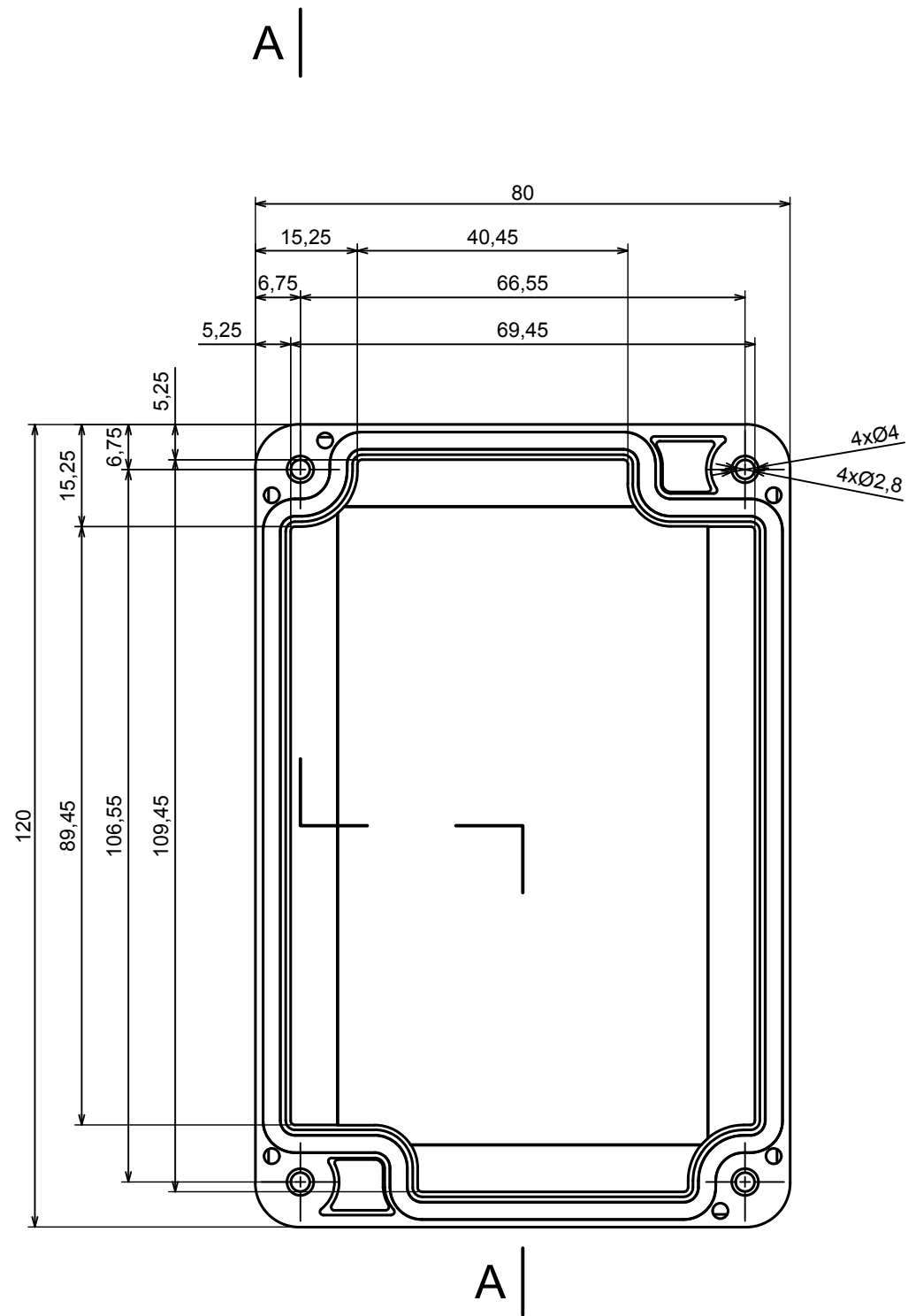
All rights reserved, Copyright Kradox 2019

Product model: Enclosure ZP120.80.75S TM - Assembly - Base ZP120.80.45 TM

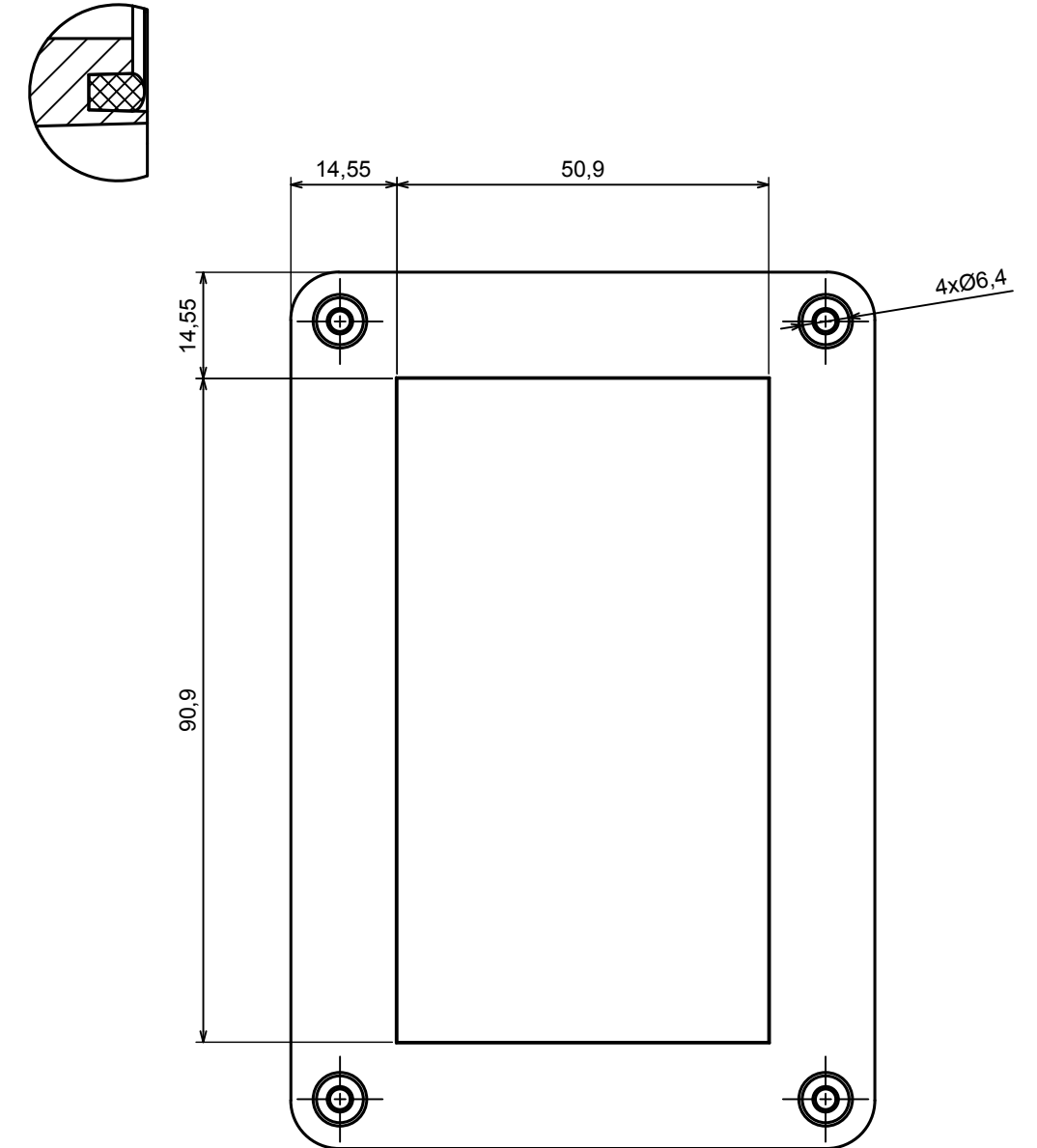
Format: A3 Material: PC, ABS

Scale 1:1 Tolerance: +/- 0.5





B (2:1)



All rights reserved, Copyright Kradox 2019

Product model Enclosure ZP120.80.75S TM - Assembly - Cover ZP120.80.30S

Format: A3 Material: PC, ABS

Scale 1:1 Tolerance: +/- 0.5

