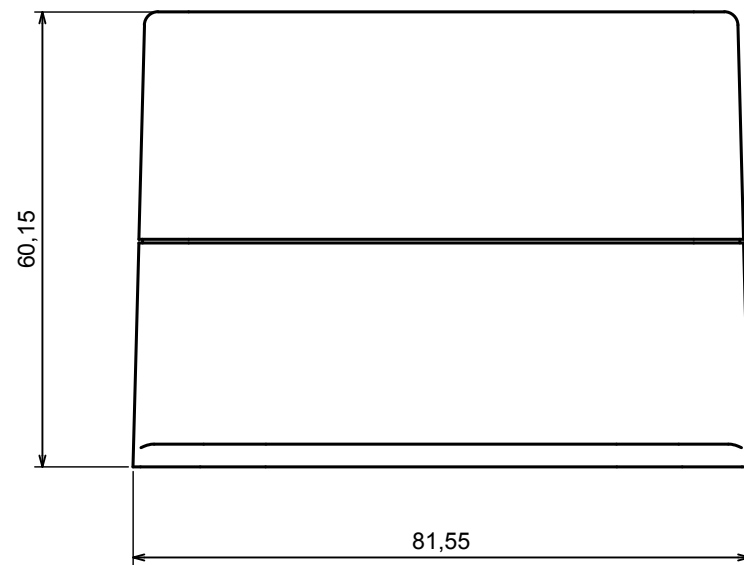
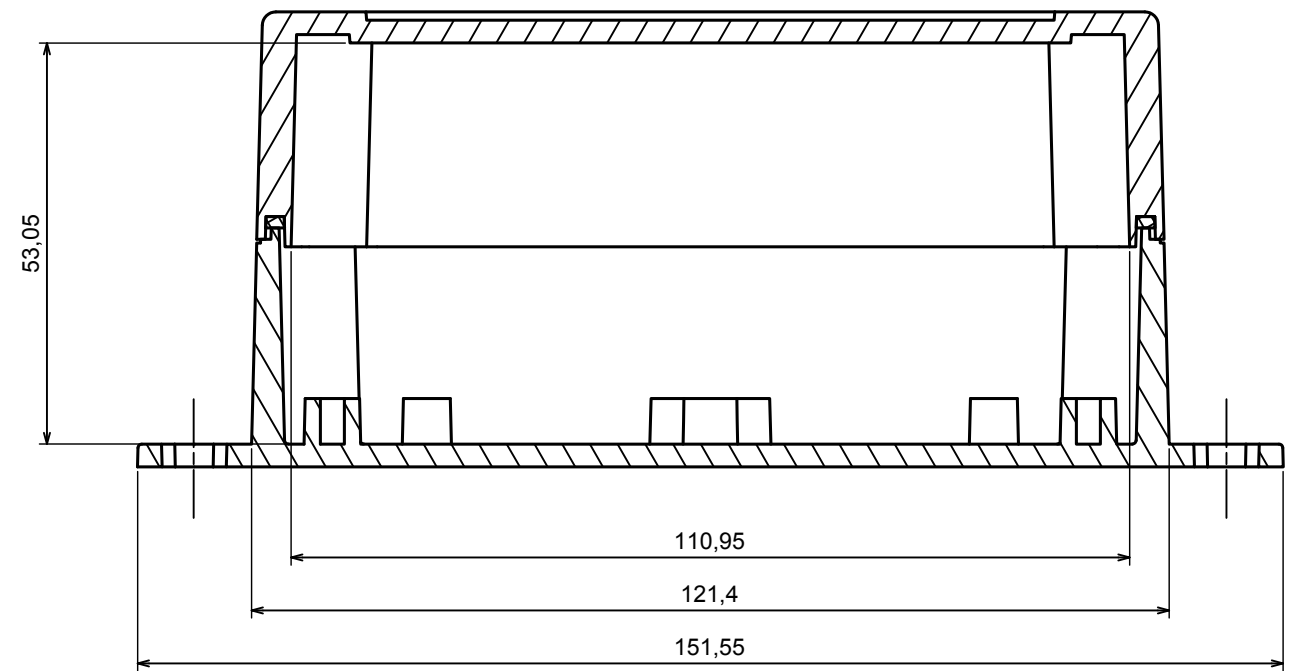


A |



A |

A-A



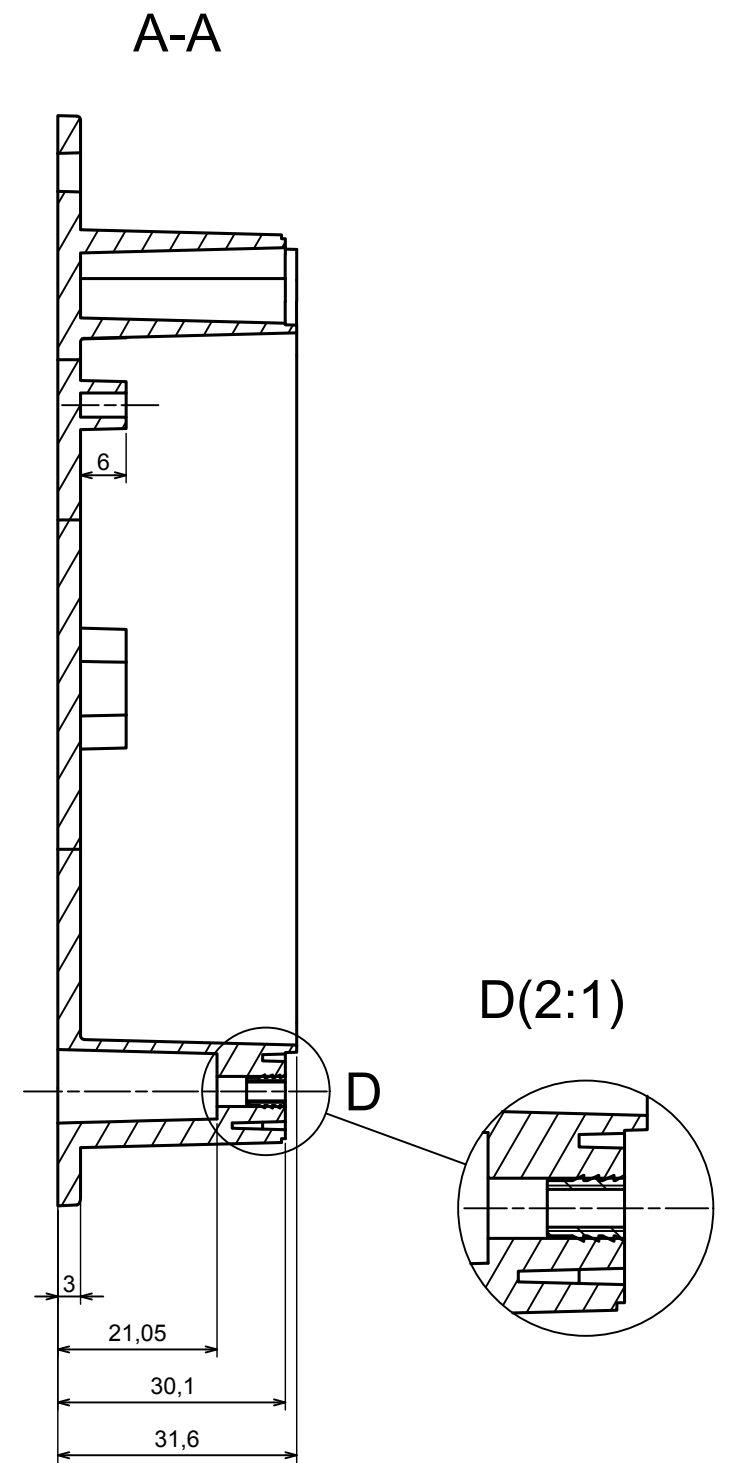
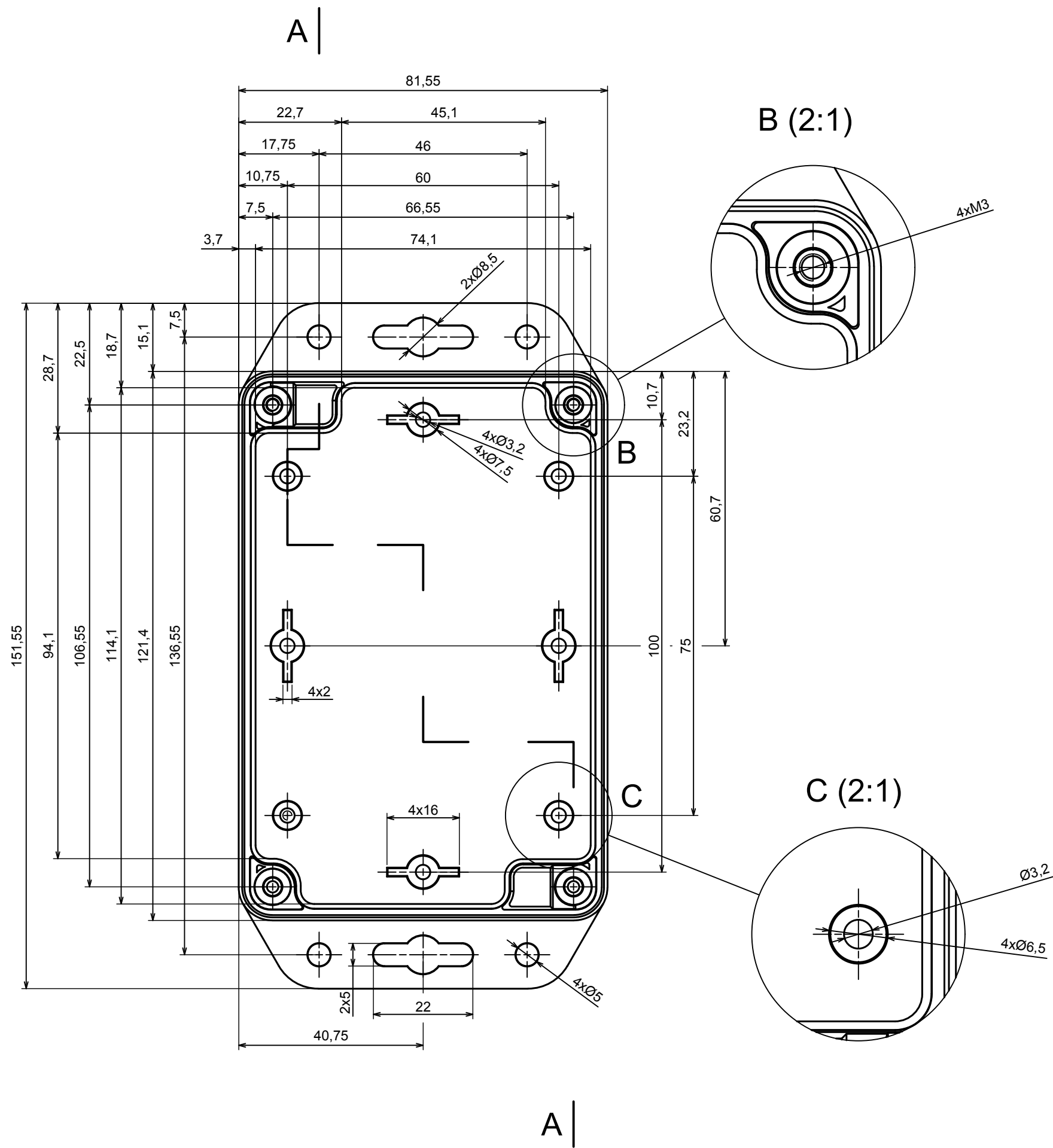
All rights reserved, Copyright Kradex 2019

Product model Enclosure ZP120.80.60SU TM - Assembly

Format: A3 Material: PC, ABS

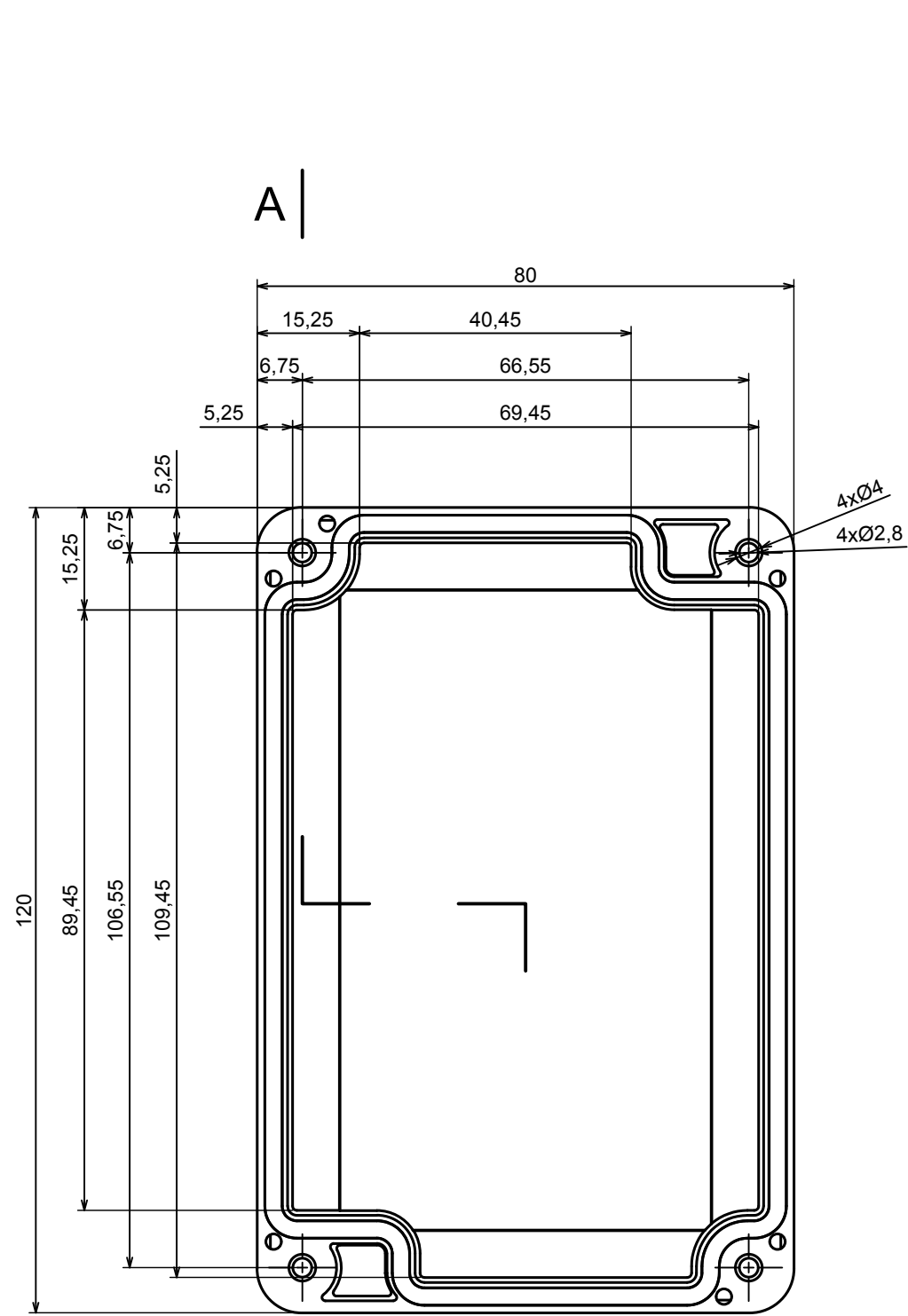
Scale 1:1 Tolerance: +/- 0.5



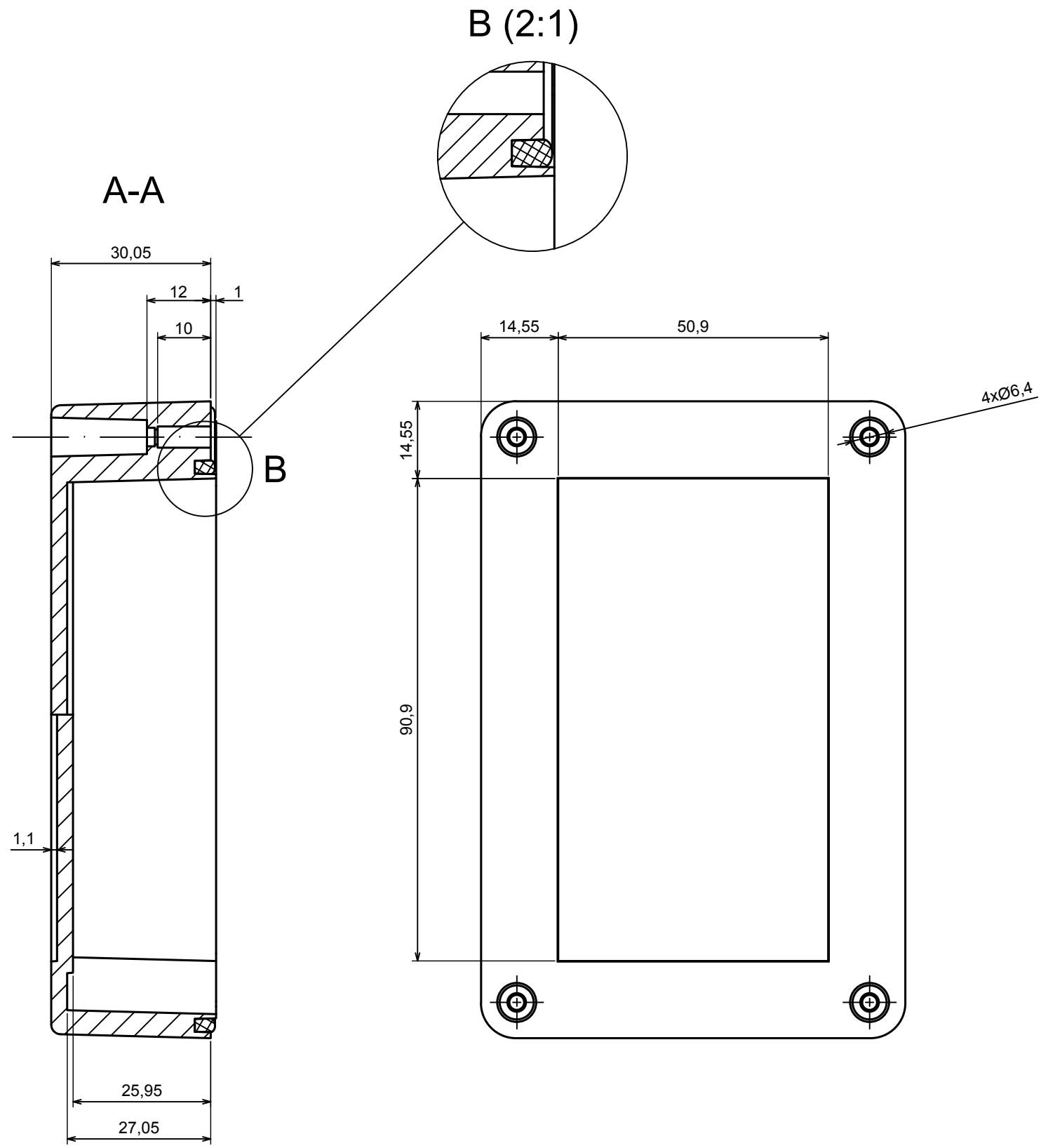



All rights reserved, Copyright Kradox 2019	
Product model	Enclosure ZP120.80.60SU TM - Base ZP120.80 30U TM
Format: A3	Material: PC, ABS
Scale 1:1	Tolerance: +/- 0.5





A |



All rights reserved, Copyright Kradox 2019		
Product model	Enclosure ZP120.80.60SU TM - Cover ZP120.80.30S	
Format: A3	Material: PC, ABS	
Scale 1:1	Tolerance: +/- 0.5	