

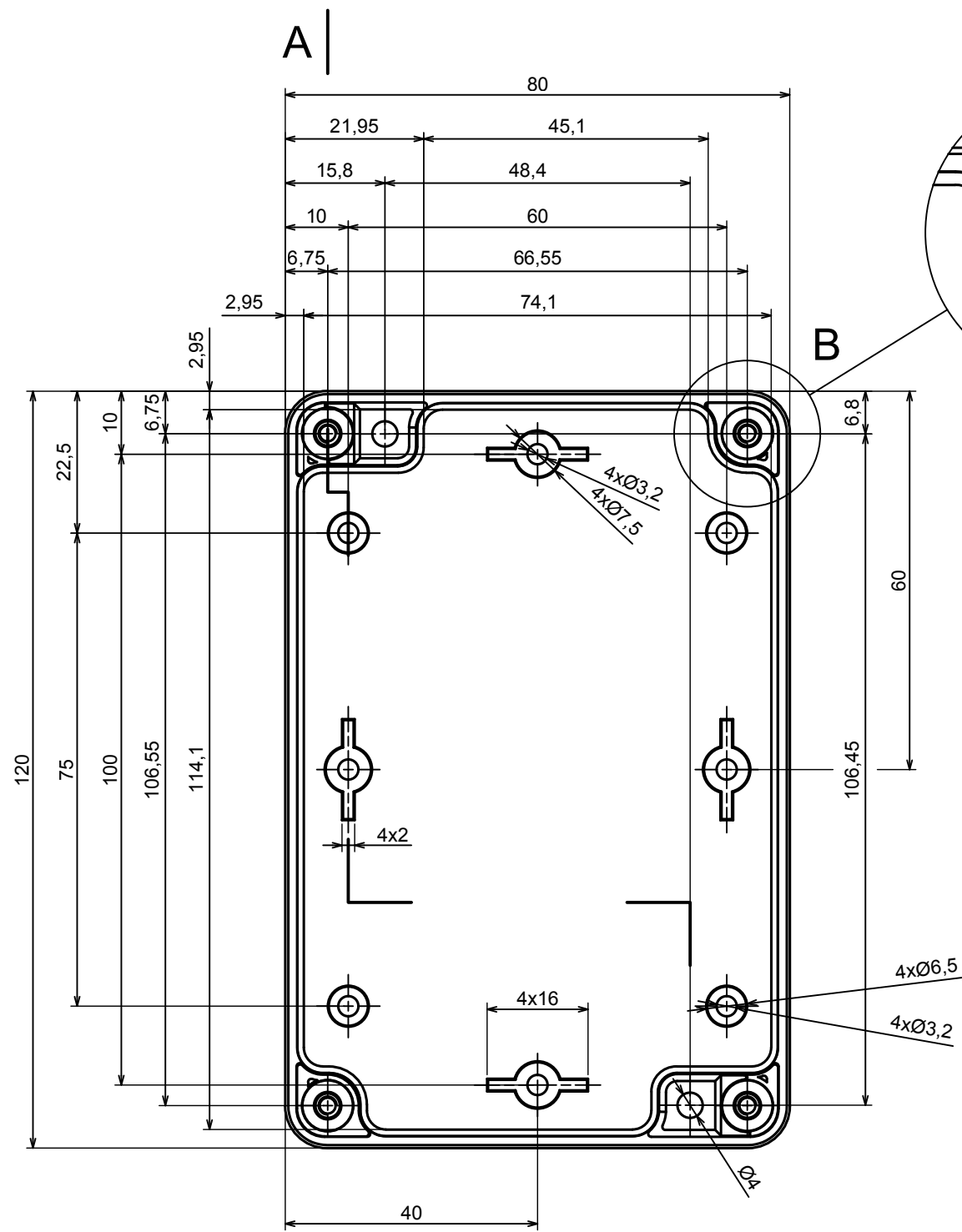
All rights reserved, Copyright Kradox 2019

Product model	Enclosure ZP120.80.60 TM - Assembly
---------------	-------------------------------------

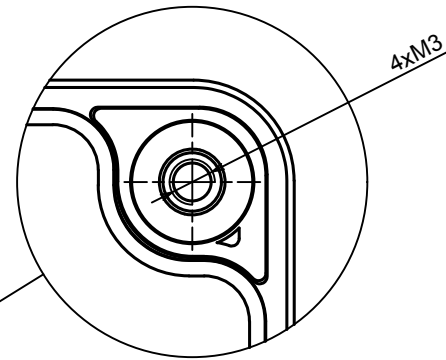
Format: A3	Material: PC, ABS
------------	-------------------

Scale 1:1	Tolerance: +/- 0.5
-----------	--------------------

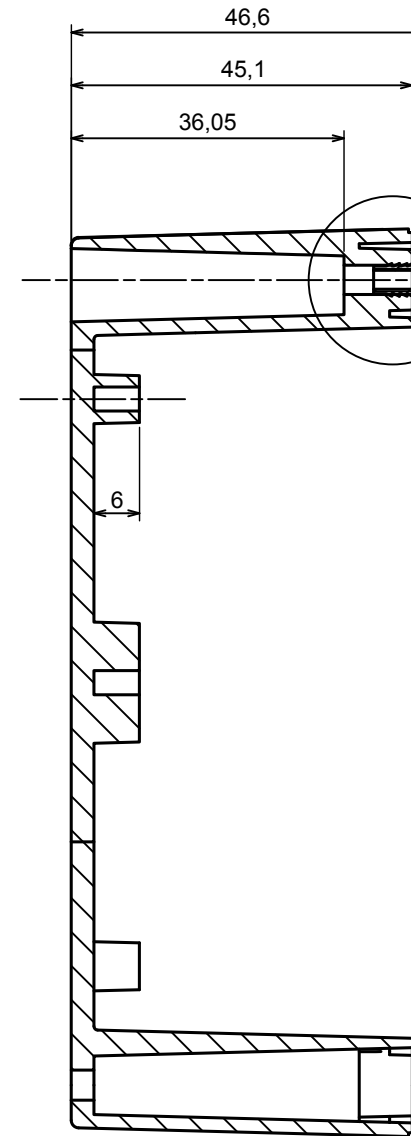




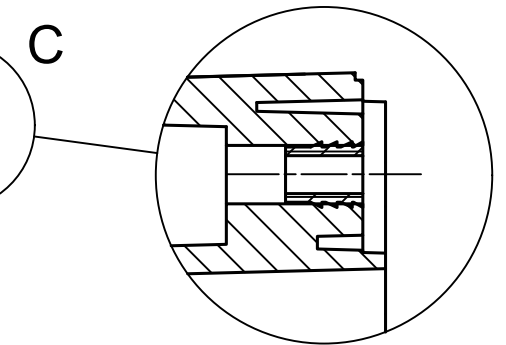
B (2:1)



A-A



C (2:1)



A |

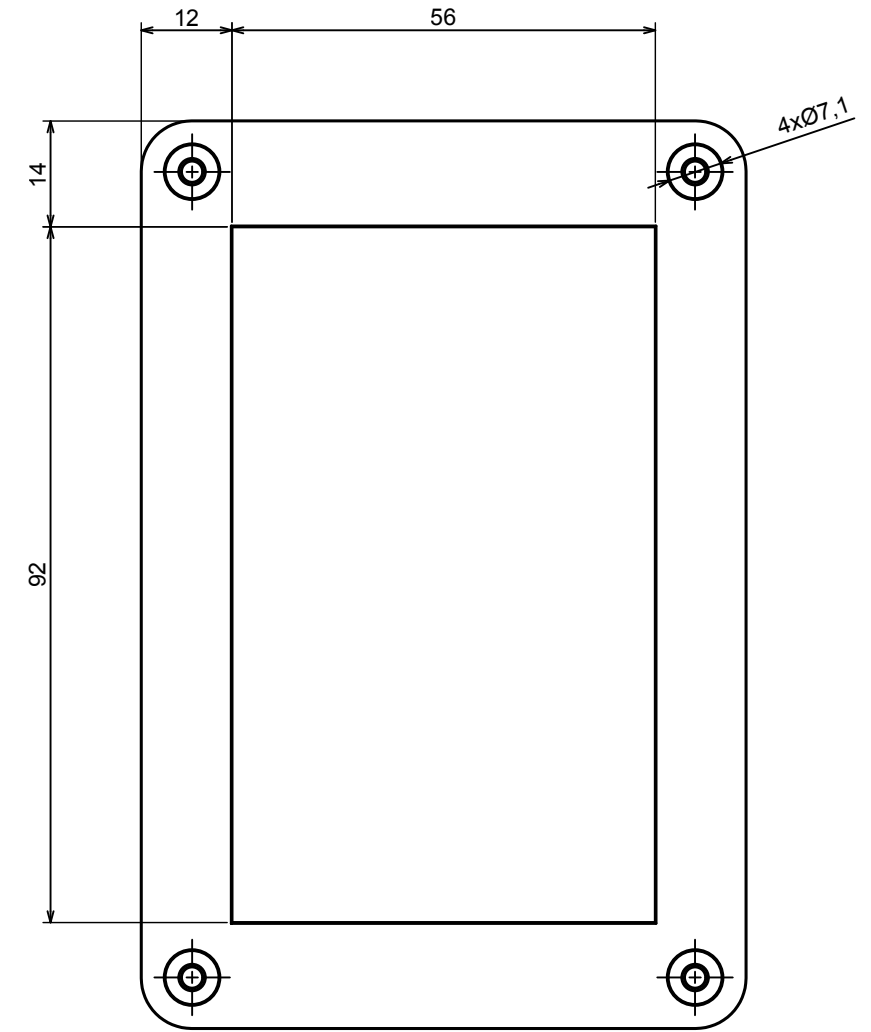
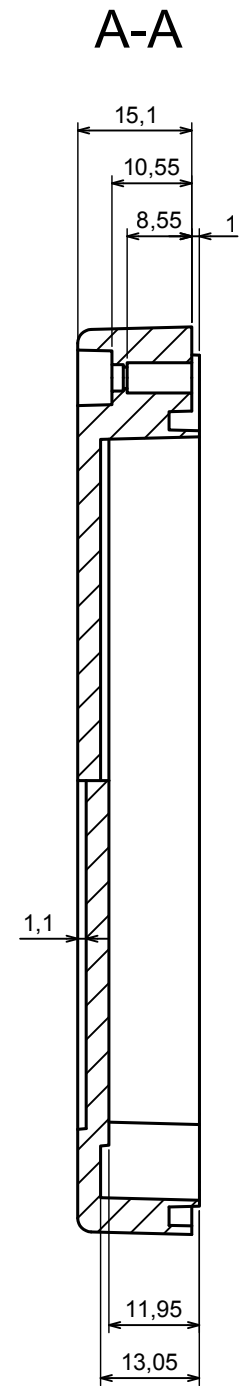
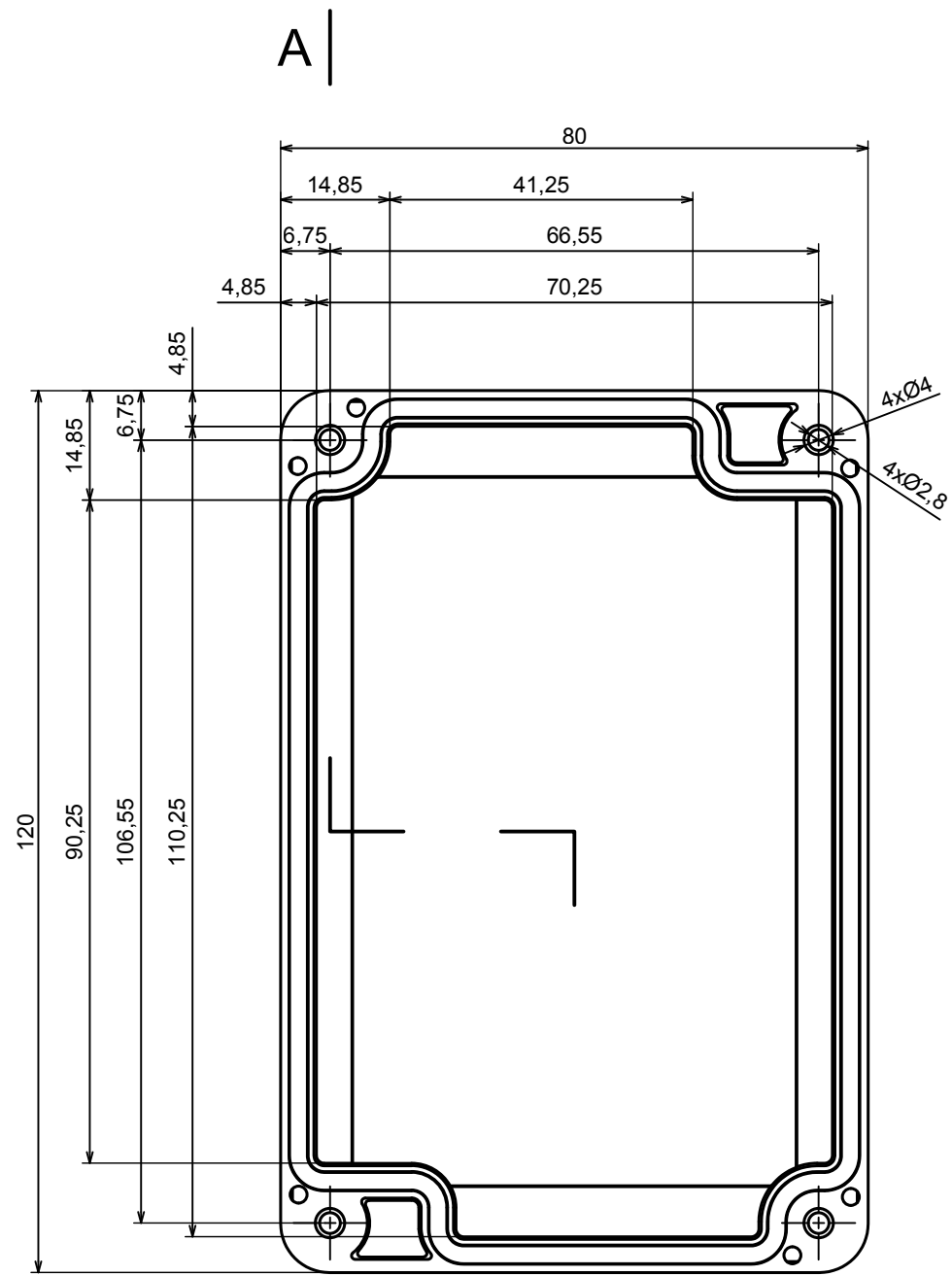
All rights reserved, Copyright Kradox 2019

Product model: Enclosure ZP120.80.60 TM - Assembly - Base ZP120.80.45 TM

Format: A3 Material: PC, ABS

Scale 1:1 Tolerance: +/- 0.5





A |

All rights reserved, Copyright Kradox 2019	
Product model	Enclosure ZP120.80.60 TM - Assembly - Cover ZP120.80.15
Format: A3	Material: PC, ABS
Scale 1:1	Tolerance: +/- 0.5

