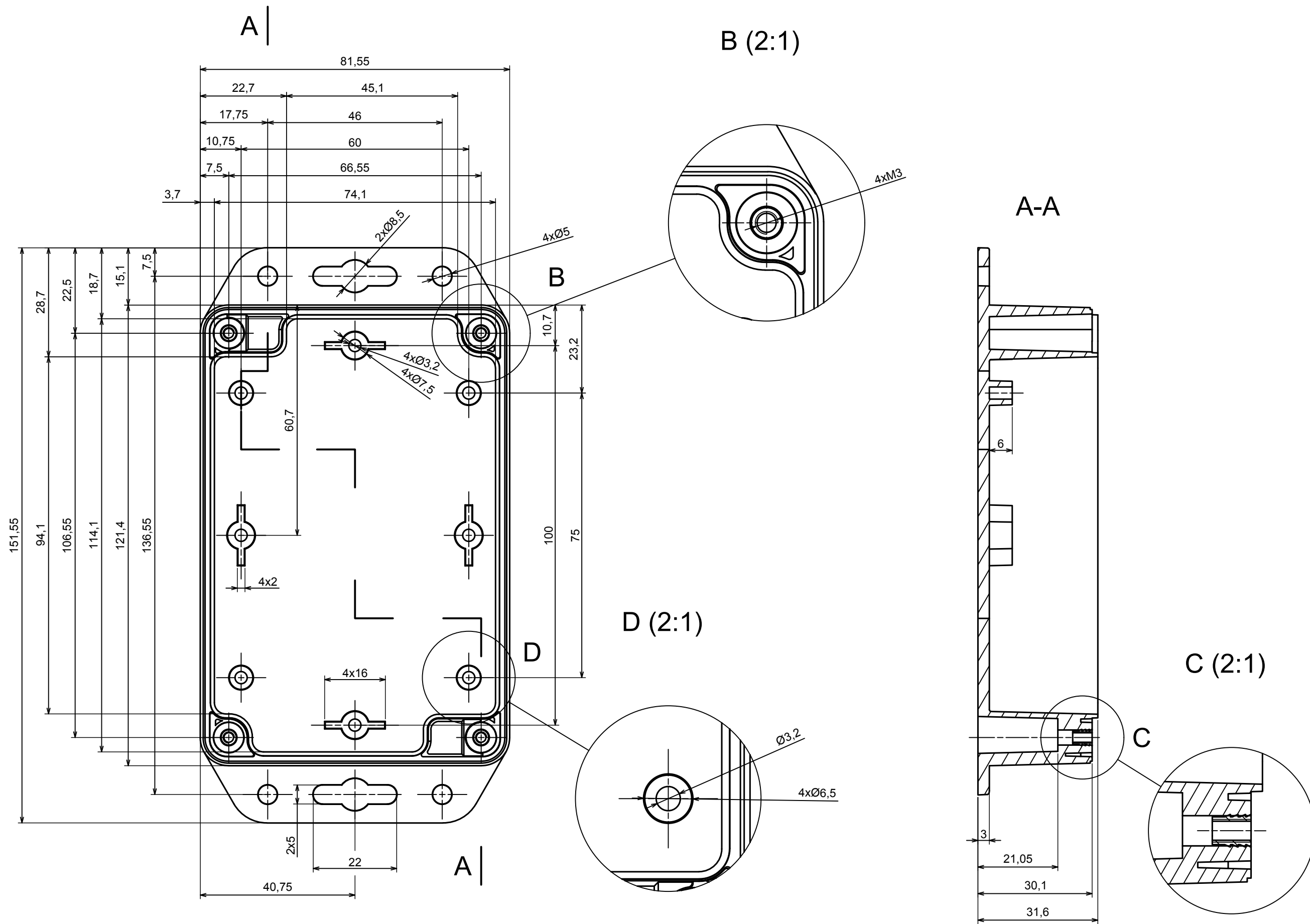
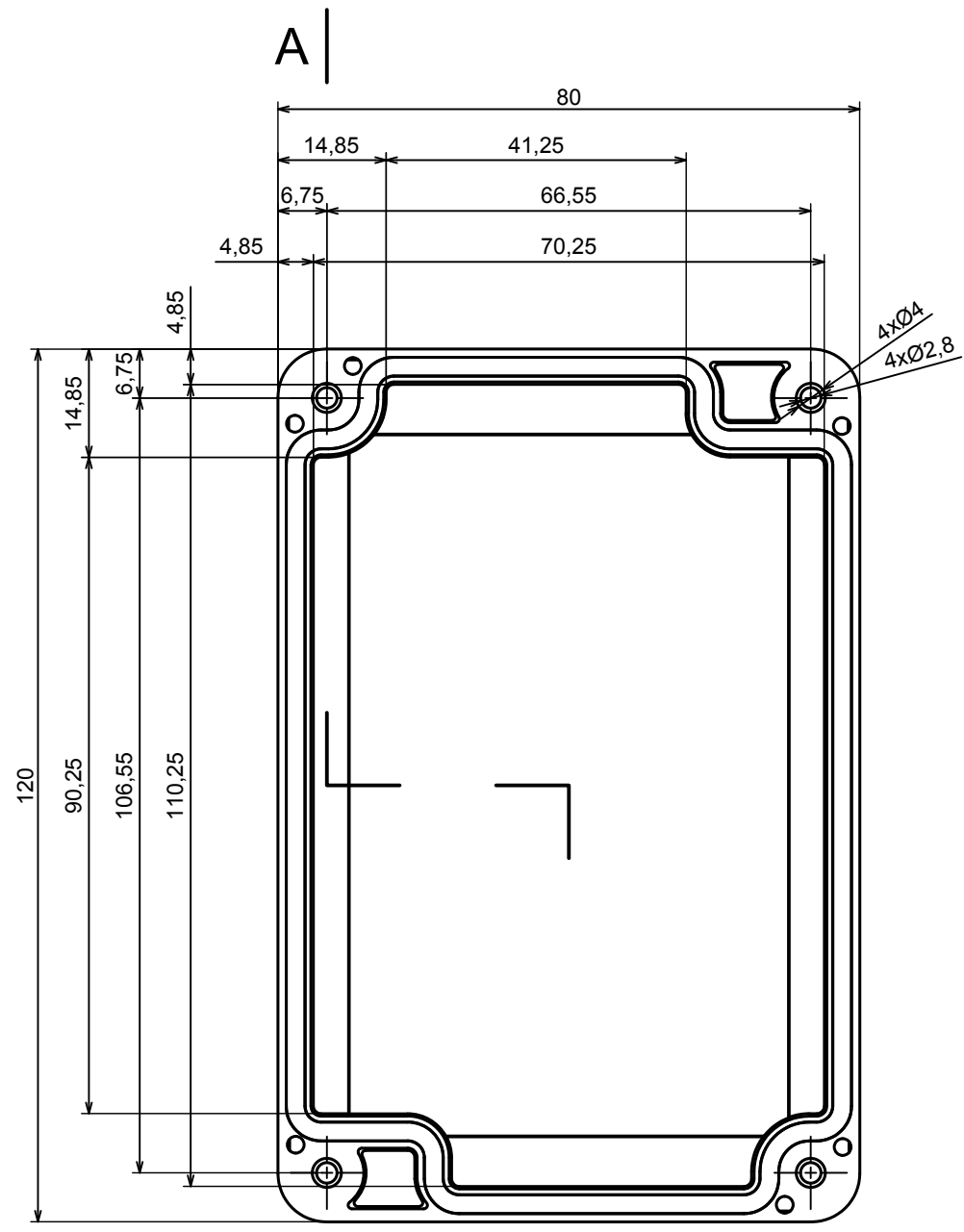


All rights reserved, Copyright Kradox 2019		
Product model	Enclosure ZP120.80.45SU TM - Assembly	
Format: A3	Material: PC, ABS	
Scale 1:1	Tolerance: +/- 0.5	

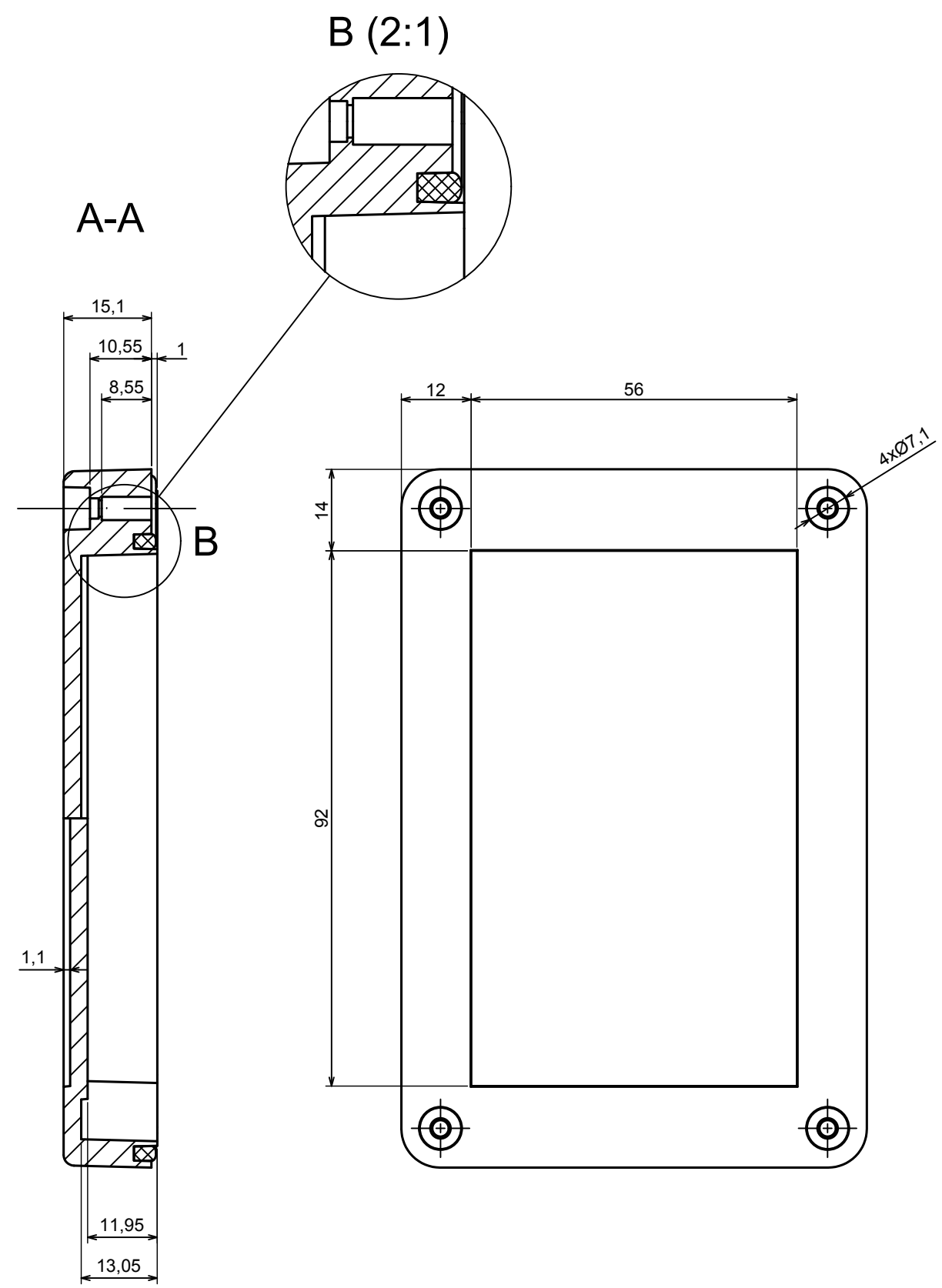



All rights reserved, Copyright Kradox 2019	
Product model	Enclosure ZP120.80.45SU TM - Base ZP120.80 30U TM
Format: A3	Material: PC, ABS
Scale 1:1	Tolerance: +/- 0.5





A |



All rights reserved, Copyright Kradex 2019		
Product model	Enclosure ZP120.80.45SU TM - Cover ZP120.80.15S	
Format: A3	Material: PC, ABS	
Scale 1:1	Tolerance: +/- 0.5	