
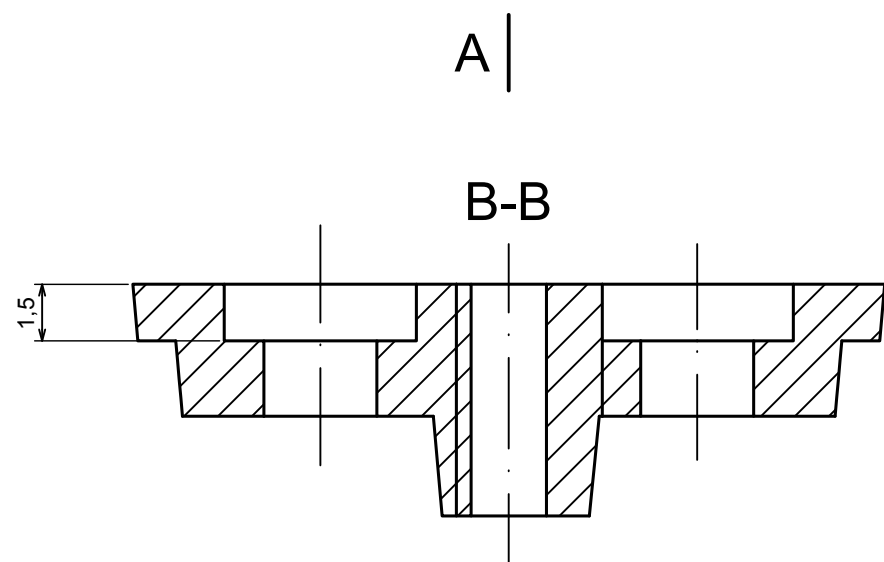
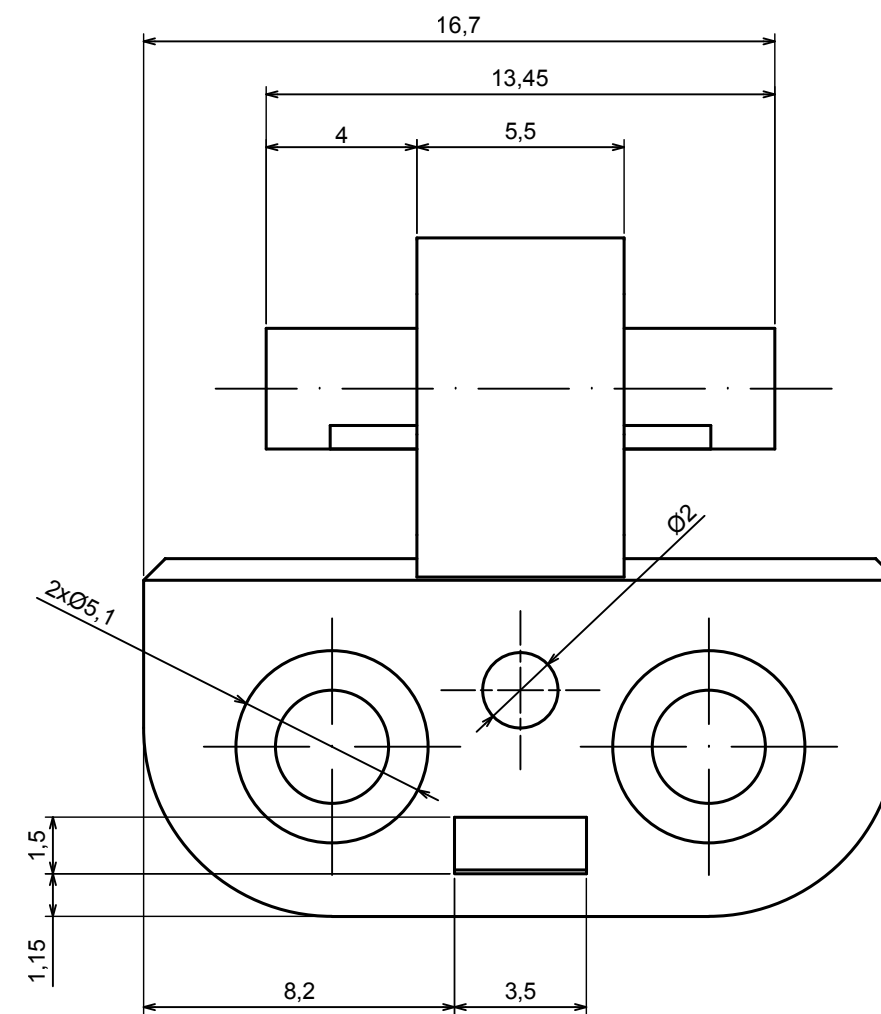
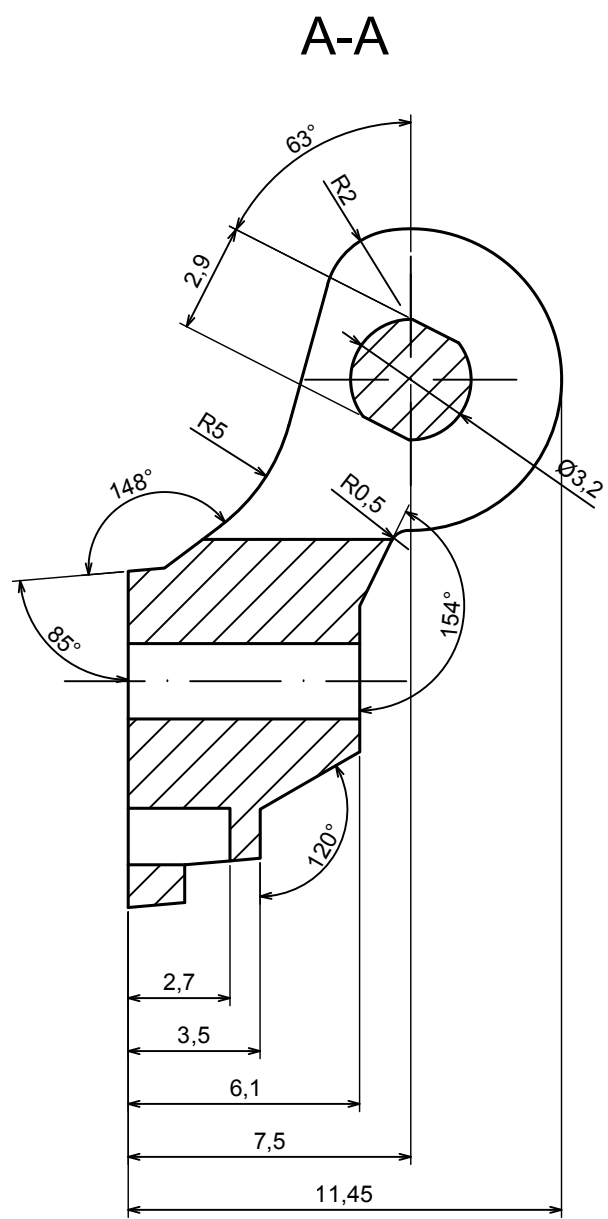
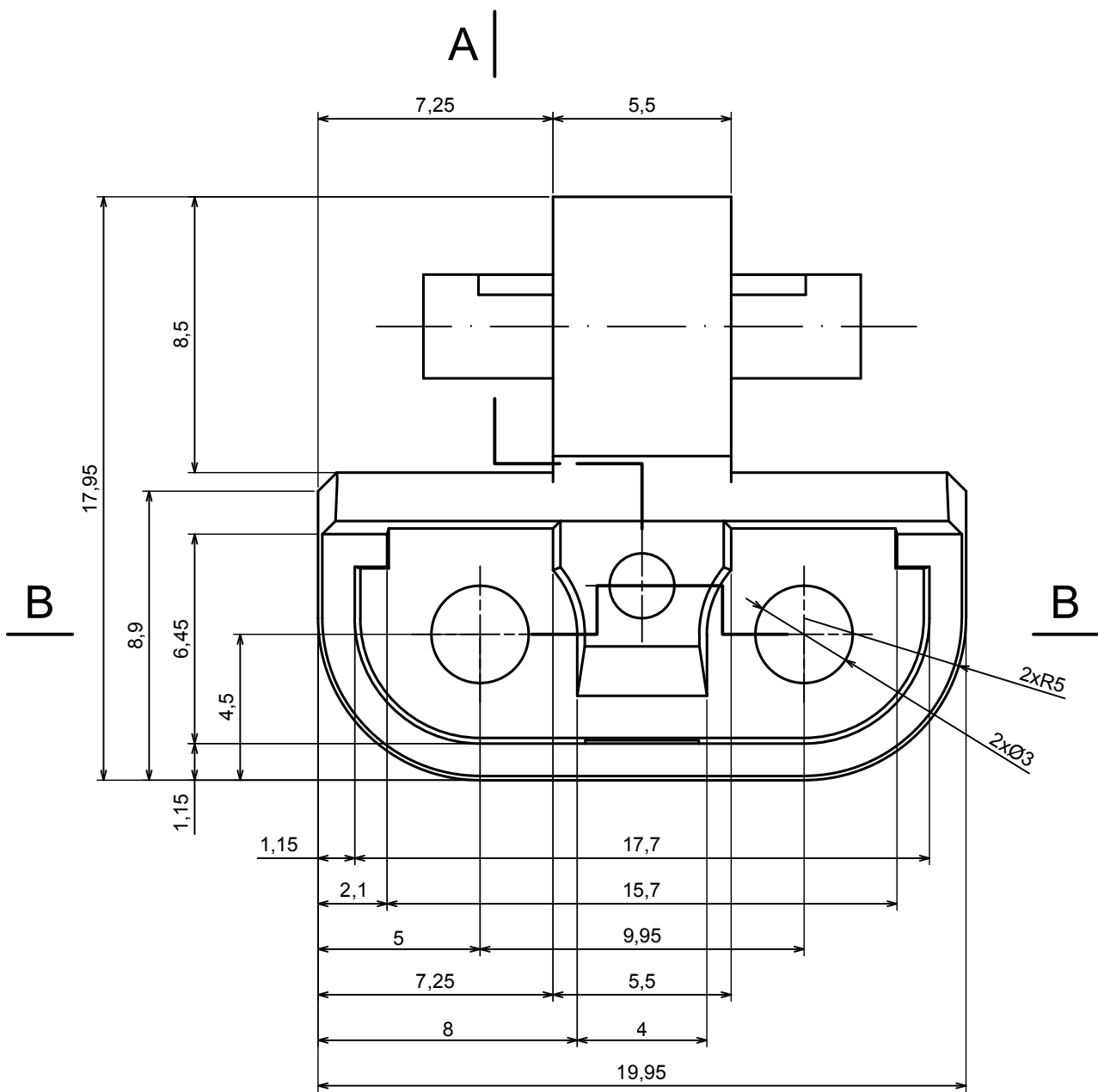
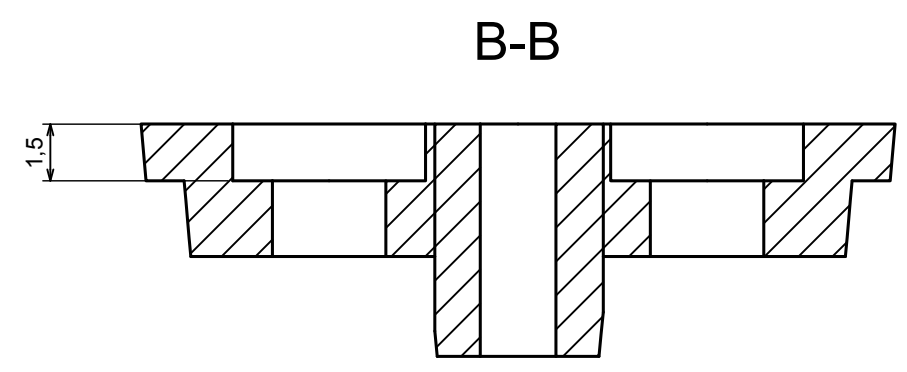
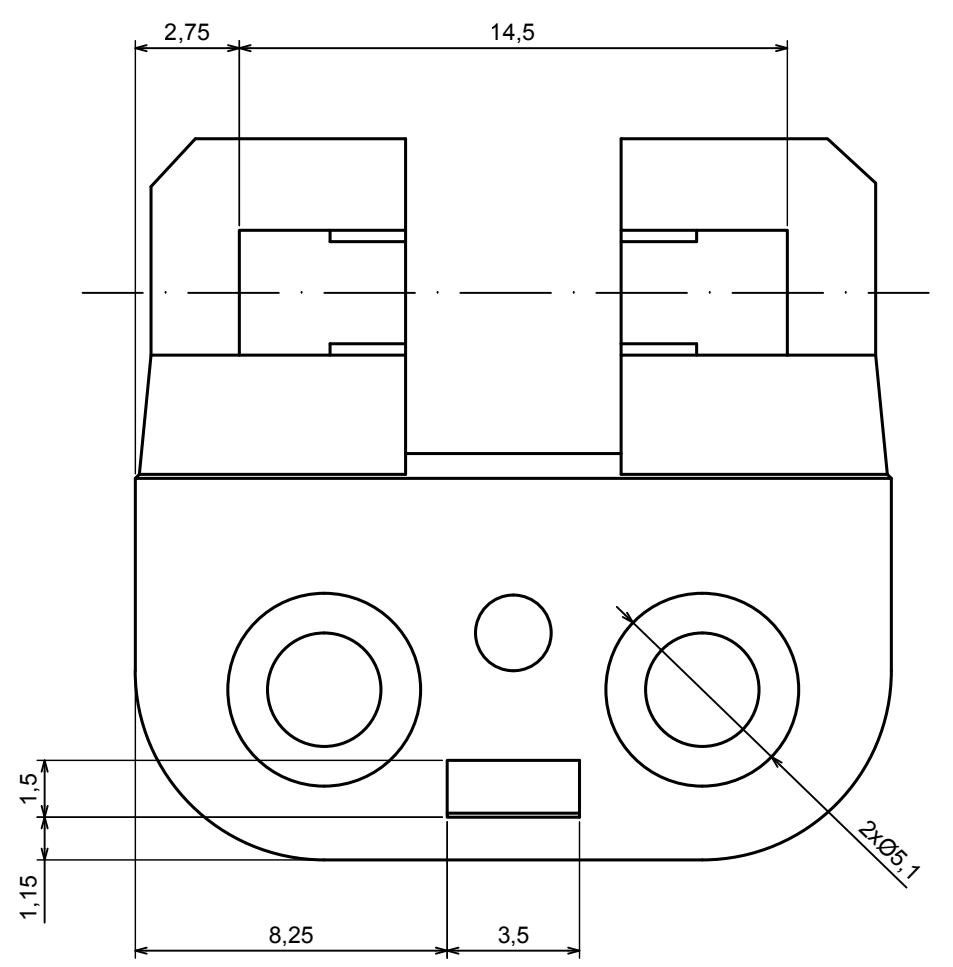
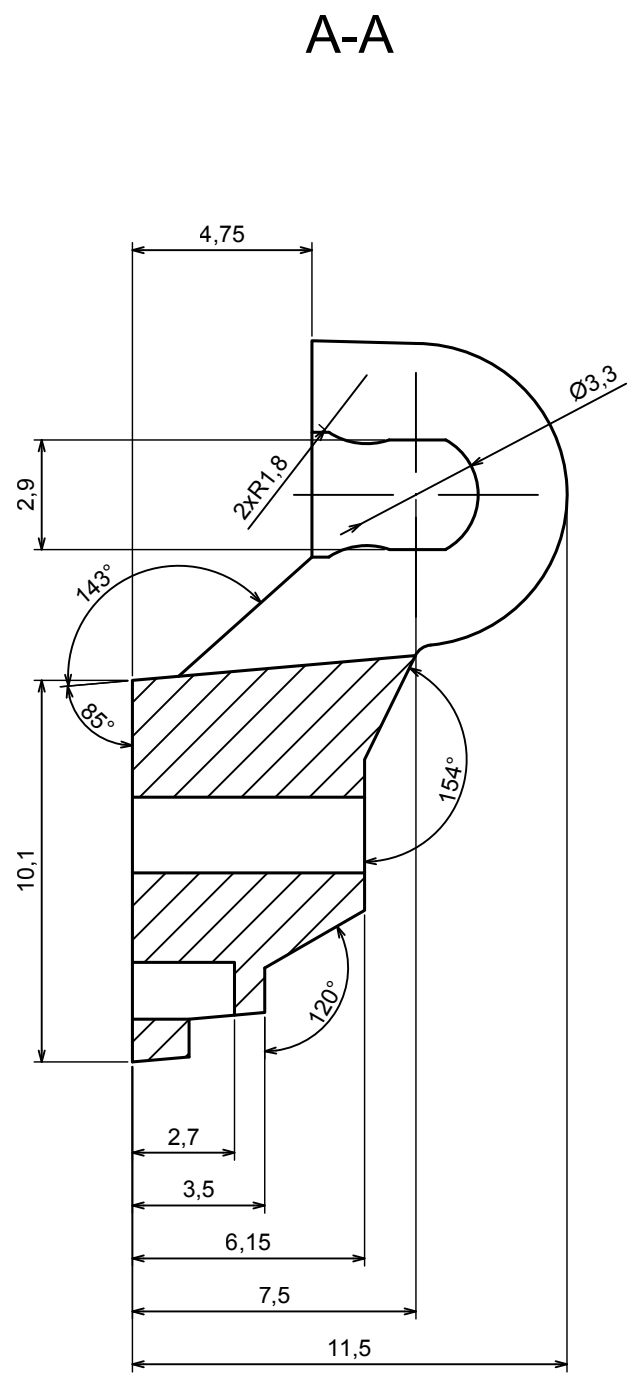
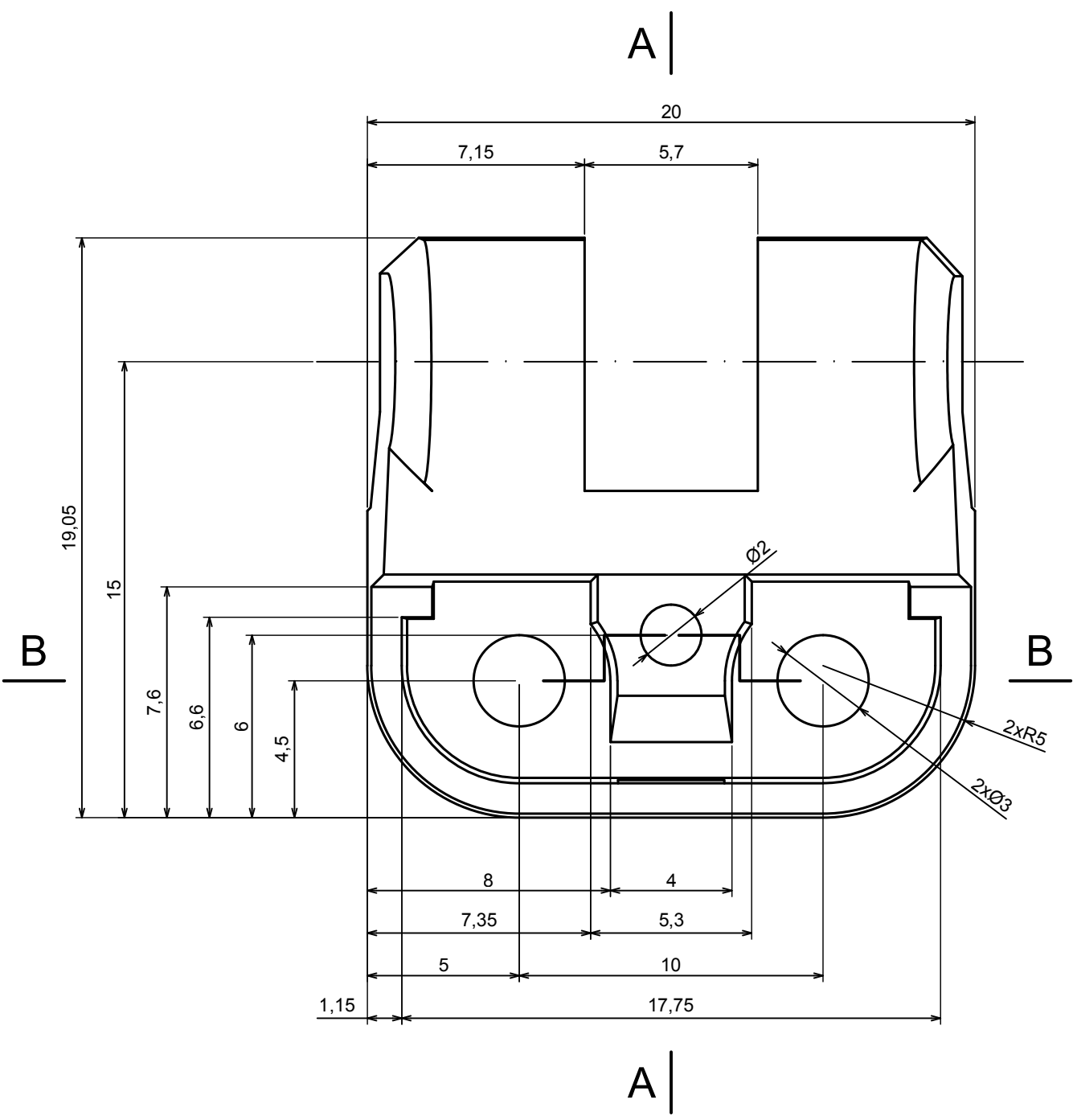



All rights reserved, Copyright Kradex 2019		
Product model	ZHINGE20 - Assembly	
Format: A3	Material: PC, ABS	
Scale 2:1	Tolerance: +/- 0.5	

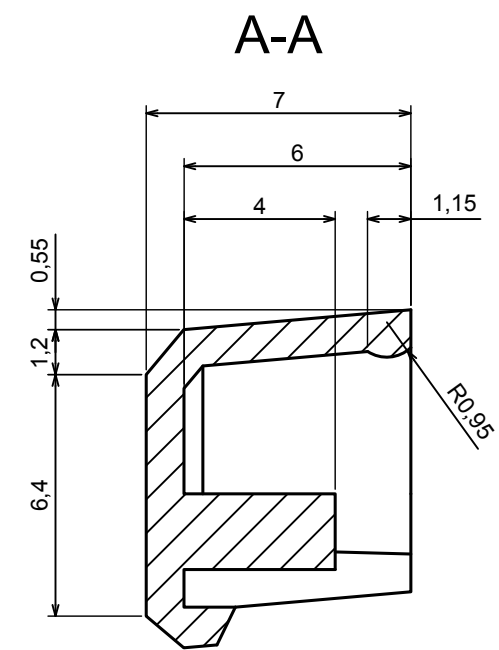
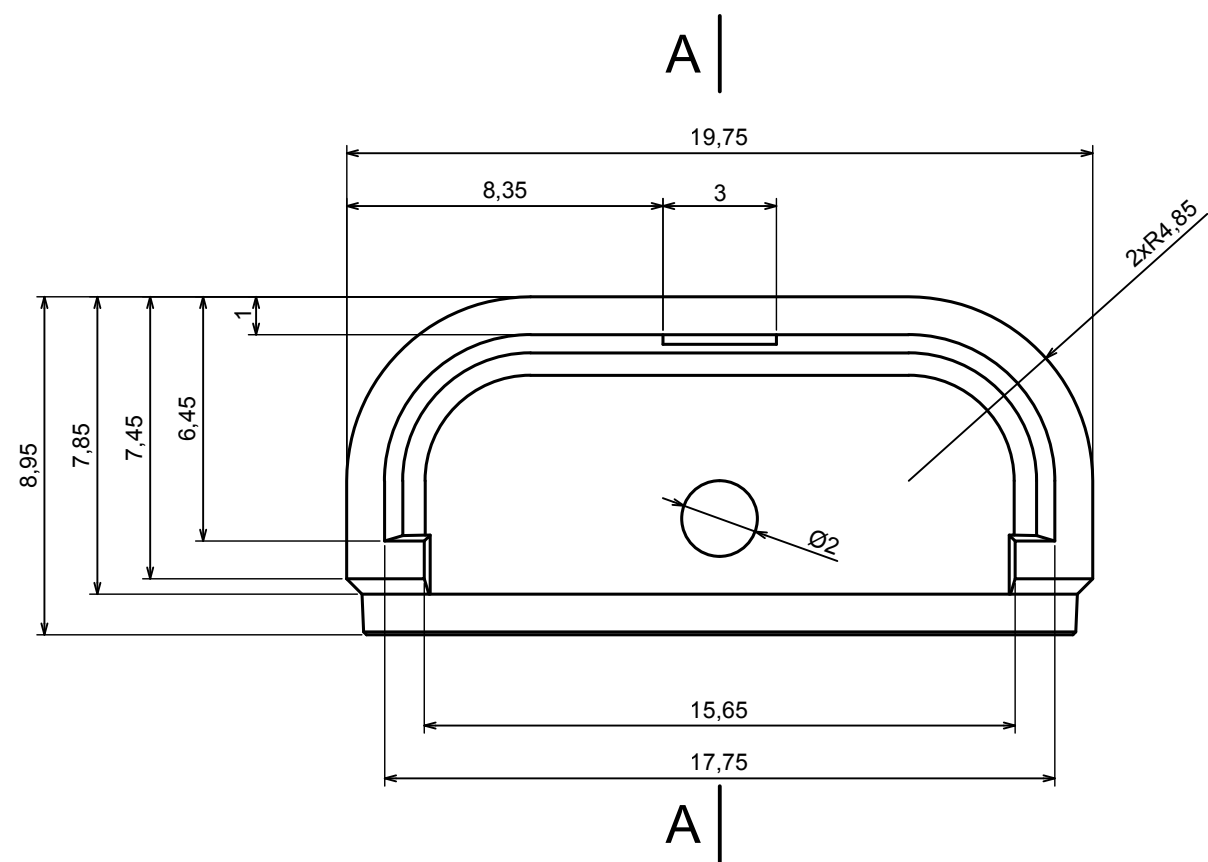


All rights reserved, Copyright Kradox 2019	
Product model	ZHINGE20 - HINGE A
Format: A3	Material: PC, ABS
Scale 5:1	Tolerance: +/- 0.5





All rights reserved, Copyright Kradox 2019		
Product model	Enclosure ZHINGE20 - HINGE B	
Format: A3	Material: PC, ABS	
Scale 1:1	Tolerance: +/- 0.5	



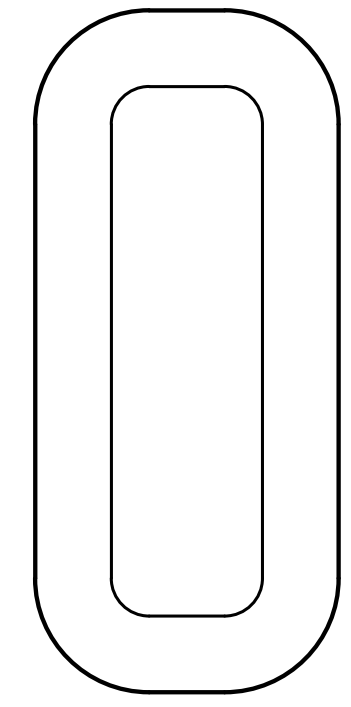
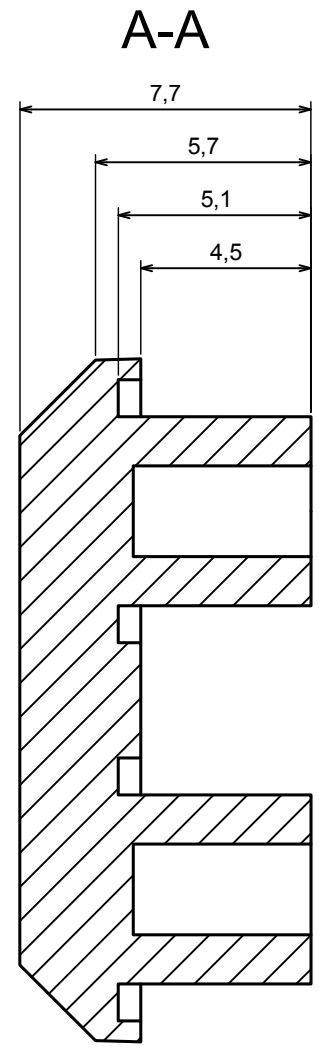
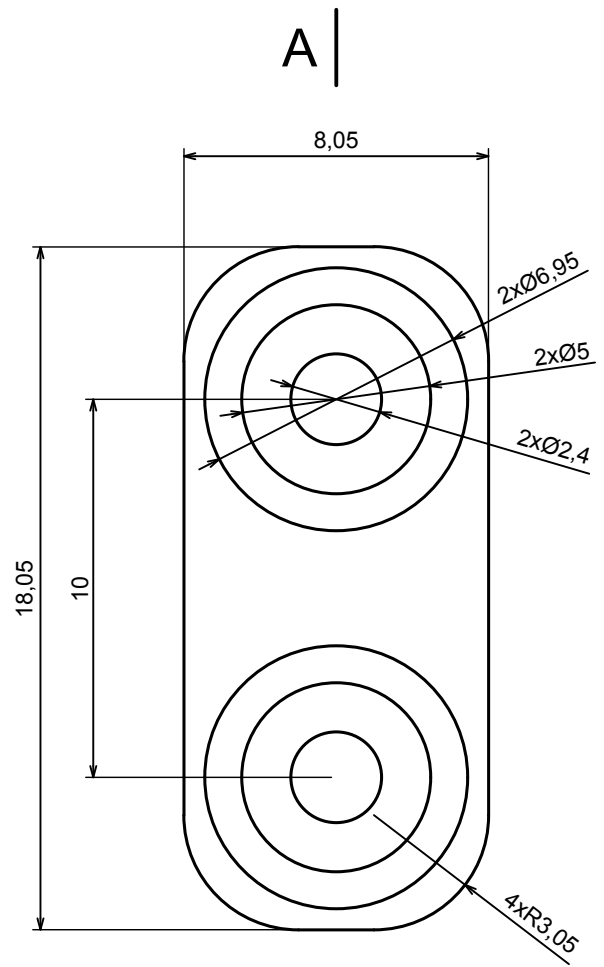
All rights reserved, Copyright Kradox 2019

Product model: Enclosure ZHINGE20 - Cover

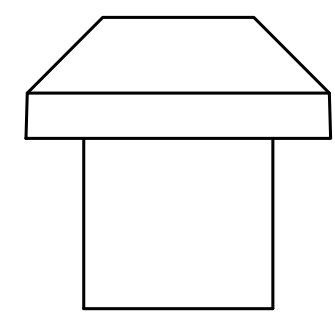
Format: A3 Material: PC, ABS


Scale 1:1 Tolerance: +/- 0.5

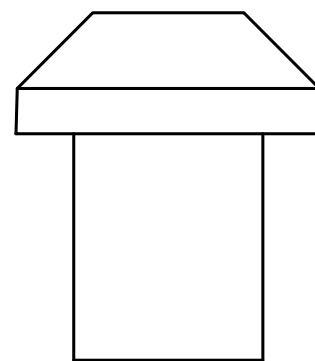
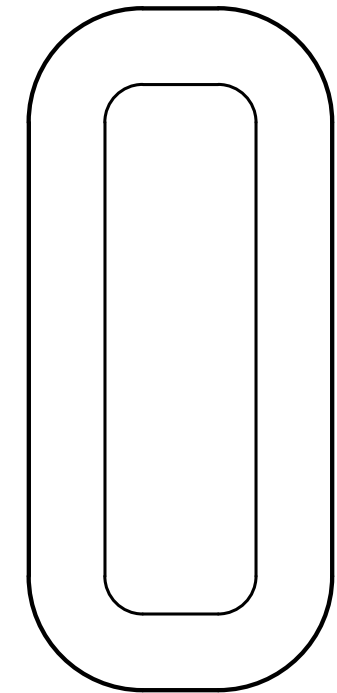
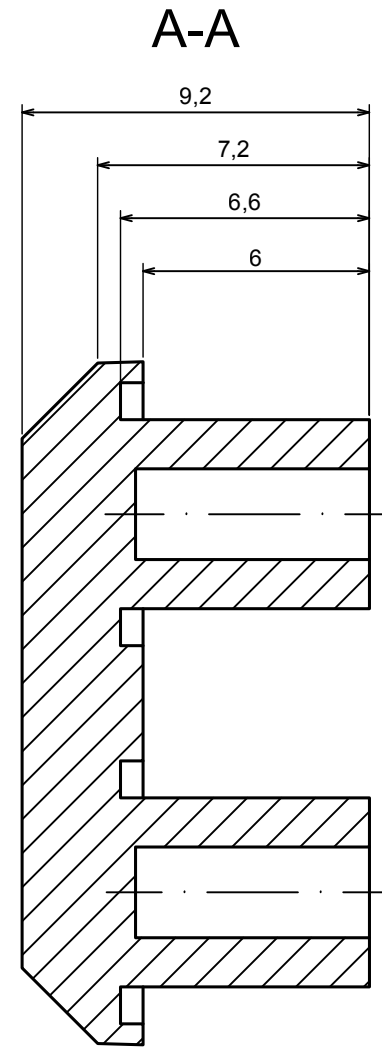
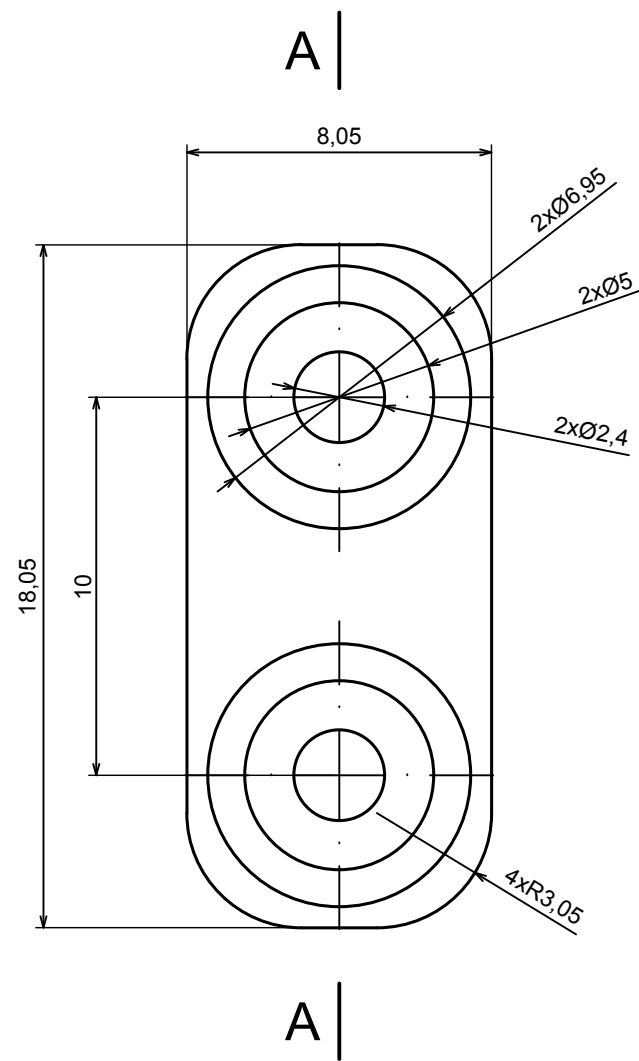




A |



All rights reserved, Copyright Kradex 2019		
Product model	Enclosure ZHINGE20 - Mount A	
Format: A3	Material: PC, ABS	
Scale 1:1	Tolerance: +/- 0.5	



All rights reserved, Copyright Kradex 2019

Product model Enclosure ZHINGE20 - Mount B

Format: A3 Material: PC, ABS

Scale 1:1 Tolerance: +/- 0.5

