

A |

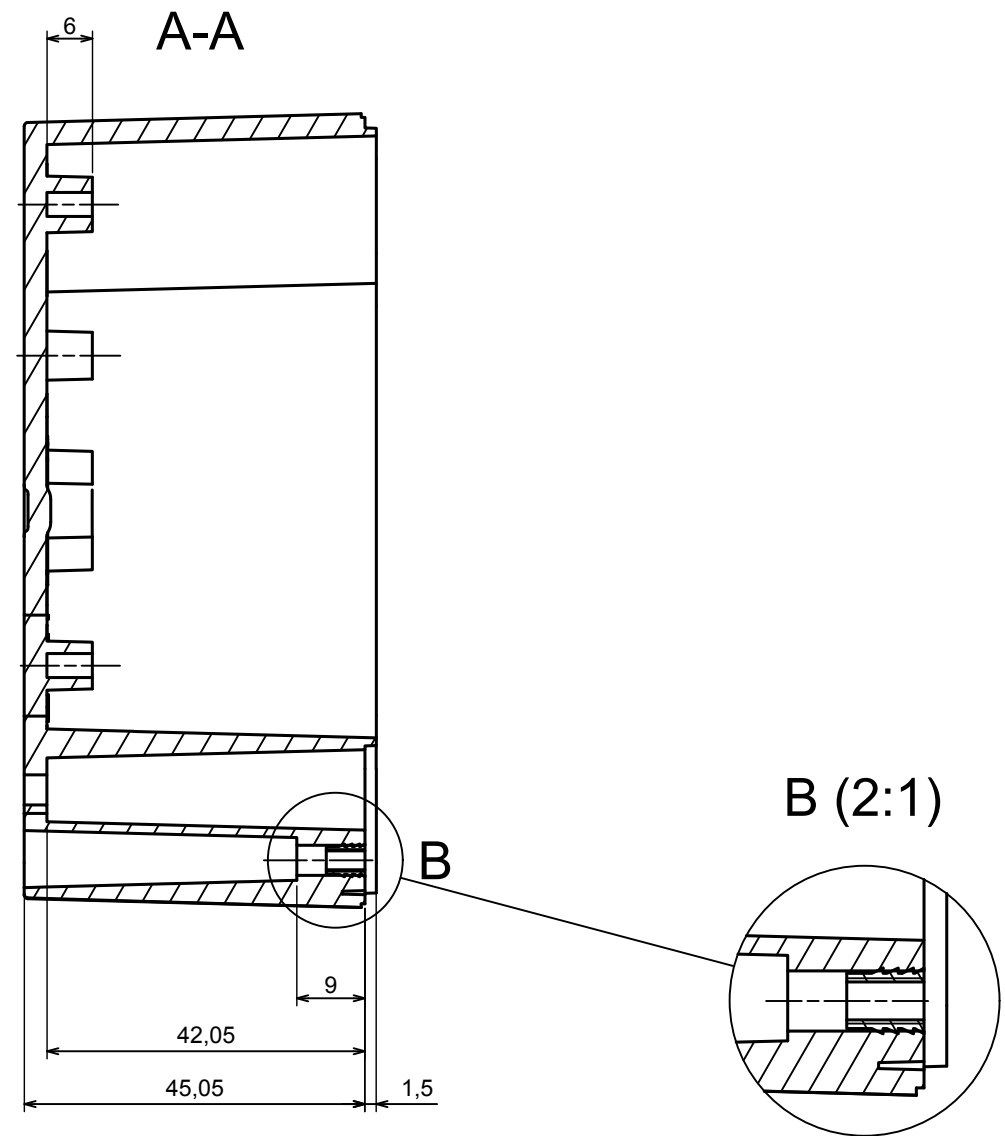
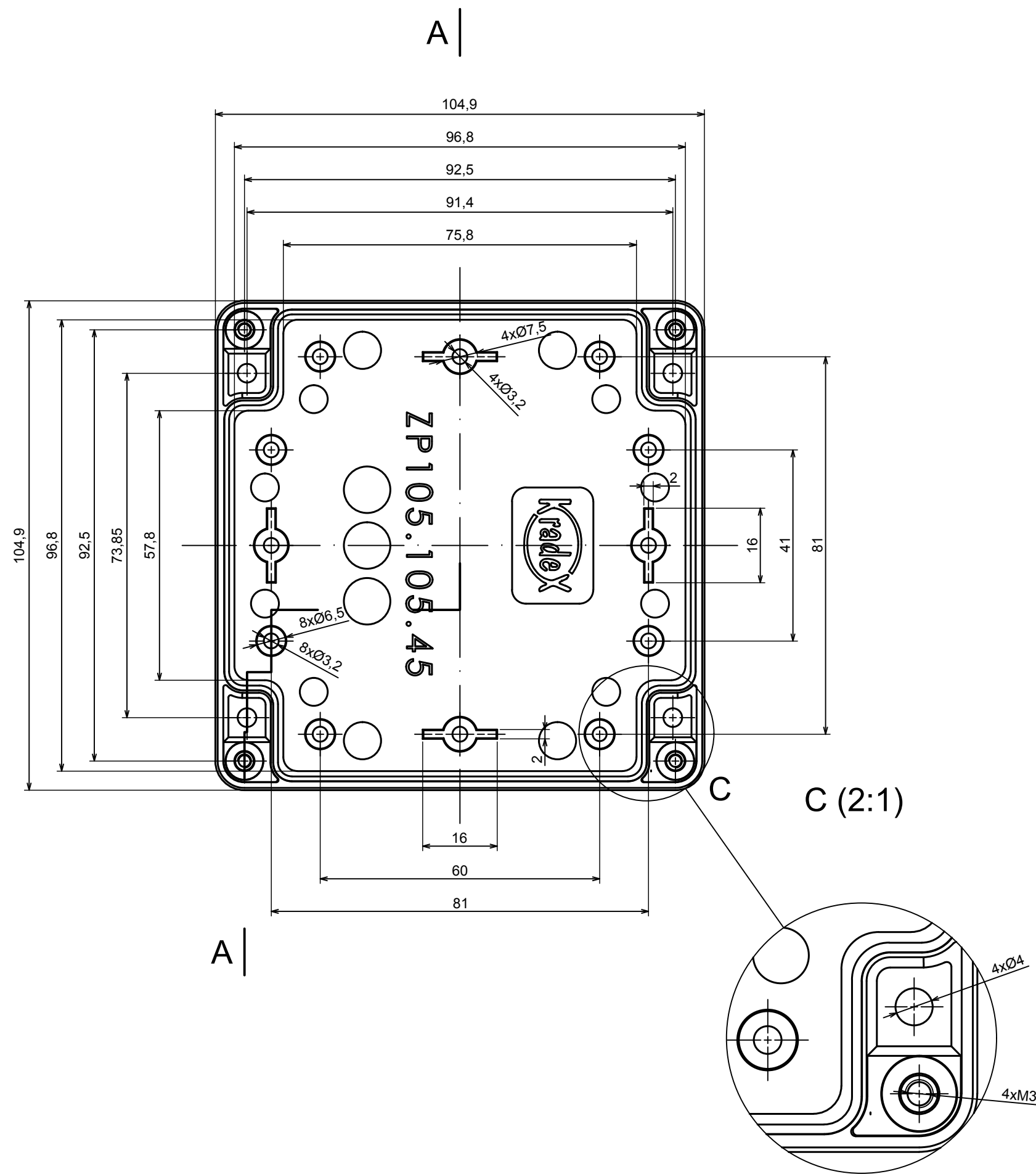
All rights reserved, Copyright Kradox 2020

|               |                                       |
|---------------|---------------------------------------|
| Product model | Enclosure ZP105.105.60S TM - Assembly |
|---------------|---------------------------------------|

|            |                   |
|------------|-------------------|
| Format: A3 | Material: PC, ABS |
|------------|-------------------|

|           |                    |
|-----------|--------------------|
| Scale 1:1 | Tolerance: +/- 0.6 |
|-----------|--------------------|





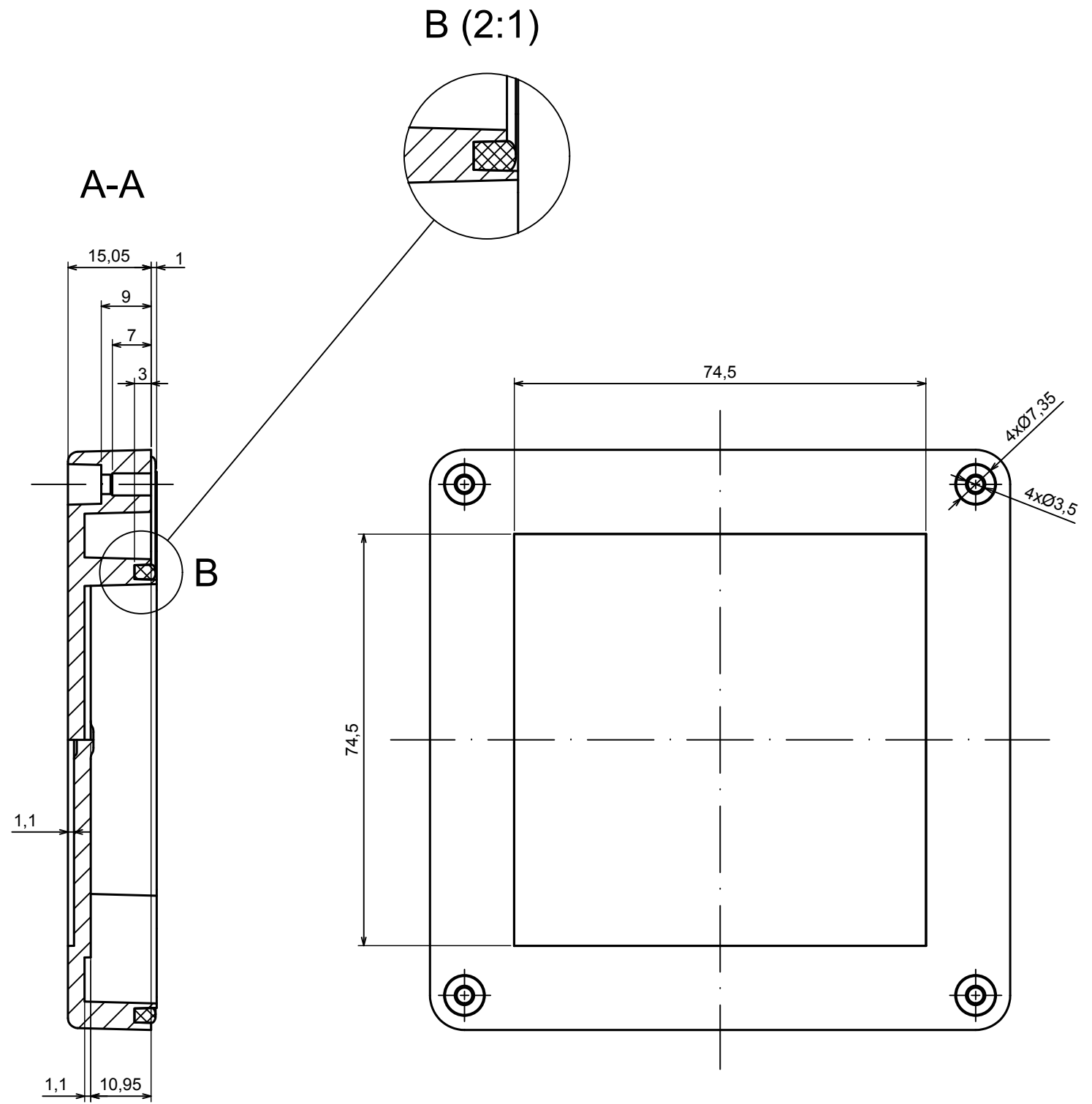
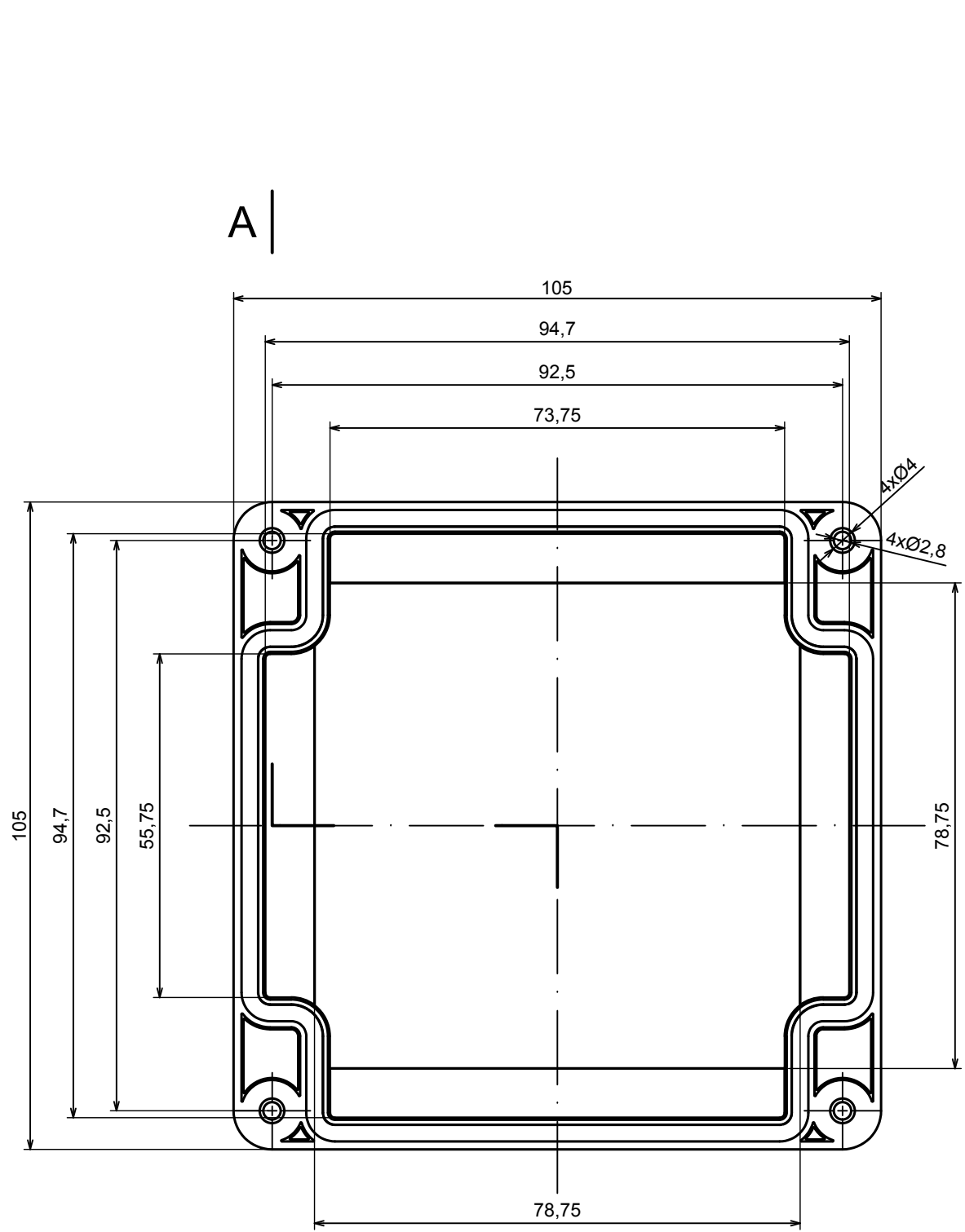
All rights reserved, Copyright Kradex 2020

Product model: Enclosure ZP105.105.60S TM - Base ZP105.105.45 TM

Format: A3 Material: PC, ABS

Scale 1:1 Tolerance: +/- 0.6





A

|  |  |
|--|--|
| All rights reserved, Copyright Kradox 2020 |  |
| Product model                              | Enclosure ZP105.105.60S TM - Cover PZ105.105.15S |
| Format: A3                                 | Material: PC, ABS                                |
| Scale 1:1                                  | Tolerance: +/- 0.6                               |

